

This drawing involves proprietary design rights of Tyco Electronics Corporation, and all design, manufacture, reproduction, use and sale rights regarding the same are expressly reserved. It is submitted for a specific purpose and the recipient by accepting this drawing, assumes custody and control and agrees to take reasonable precautions; (a) that this drawing will not be copied and reproduced, in whole or in part, or its contents revealed in any manner, or to any person except to meet the purpose for which it was delivered and (b) that any special features peculiar to this design will not be incorporated in other projects without the expressed written permission of Tyco Electronics Corporation.

REVISIONS			
EC	REV	DESCRIPTION	DATE
CPR	A	NEW RELEASE	1/20/06

5. MODULE INFORMATION

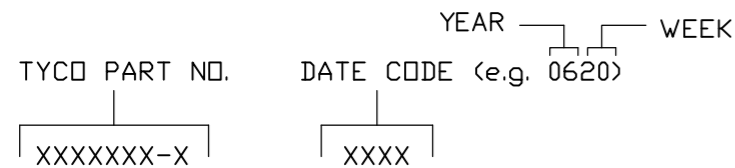
CONNECTOR	TYCO PART NUMBER	CATALOG MODULE #	QTY	SIZE NO.	CONTACT QTY	MATING PIN	MAX. CURRENT (PER CONTACT)	CONTACT SPACING	VOLTAGE RATING*
PIN	6766496-1	FP0153	2	8	2	1.25 X 7.00 [.049 X .276]	35 AMPERES	7.50 [2953]	250 VOLTS
		FP0151	4		4				

\*IAW IEC-950

NOTES: UNLESS OTHERWISE SPECIFIED.

- PART NUMBER CHANGES AND OR DESIGN CHANGES AFFECTING ITEM INTERCHANGEABILITY REQUIRE PRIOR ELCON APPROVAL AND AUTHORIZATION BY REVISION TO THIS DRAWING.
- MATERIALS:  
INSULATORS: THERMOPLASTIC, GLASS REINFORCED, COLOR BLACK. UL94V-0 FLAMMABILITY RATED.  
POWER CONTACTS: COPPER ALLOY.
- FINISHES:  
CONTACTS: GOLD PLATE PER MIL-G-45204 TYPE II, CLASS 0, .000030" MIN. THK, OVER NICKEL PER QQ-N-290, CLASS 2, .000040" MIN. THICKNESS.  
TERMINALS: TIN PLATE, MATTE FINISH .000100" MIN. THICKNESS.

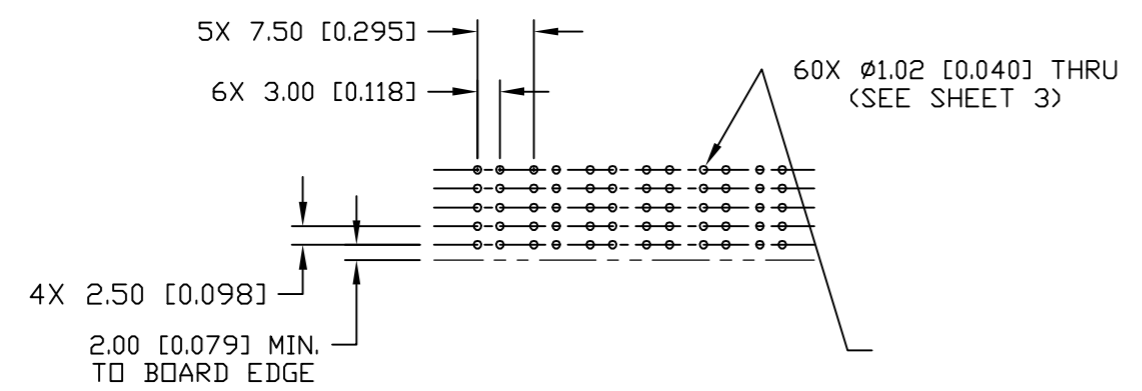
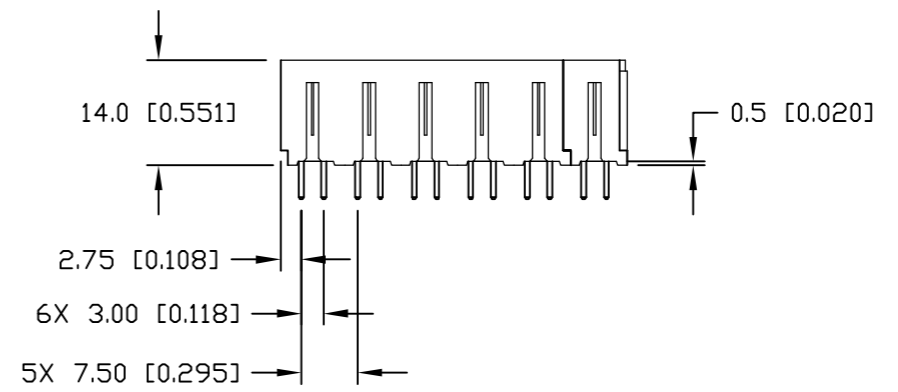
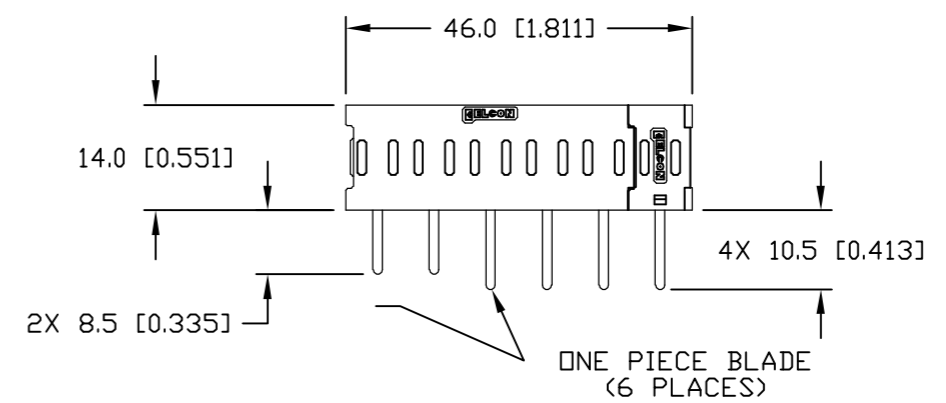
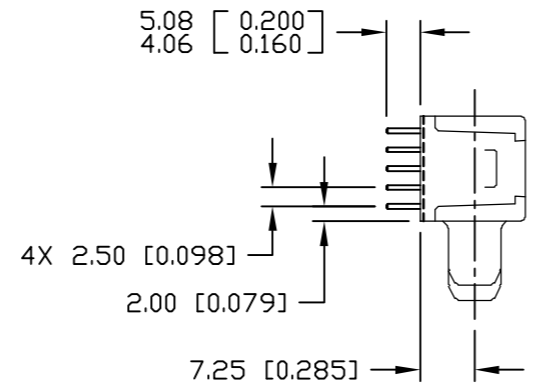
- ITEMS PROVIDED TO THIS SPECIFICATION TO BE PERMANENTLY IDENTIFIED PER THE FOLLOWING IDENTIFIER:



 THIRD ANGLE PROJECTION	DRAWN R. F. A.	DATE 1/20/06	Tyco Electronics Corporation Menlo Park, Ca 94025
	CHECKED		
UNLESS OTHERWISE SPECIFIED DIMENSIONS ARE IN METRIC [INCHES] TOLERANCES ANGLES ± .5° DECIMALS .XX ± .25 [.010] .X ± .5 [.020]	APPROVED		SIZE DWG NUMBER B C = 6766496
	APPROVED D. CHAU	1/20/06	
	DCA APPROVED M. ALIM		
	ACAD FILE NUMBER	C6766496A.DWG	DWG SCALE 1=1 SH 1 OF 3

This drawing involves proprietary design rights of Tyco Electronics Corporation, and all design, manufacture, reproduction, use and sale rights regarding the same are expressly reserved. It is submitted for a specific purpose and the recipient by accepting this drawing, assumes custody and control and agrees to take reasonable precautions; (a) that this drawing will not be copied and reproduced, in whole or in part, or its contents revealed in any manner, or to any person except to meet the purpose for which it was delivered and (b) that any special features peculiar to this design will not be incorporated in other projects without the expressed written permission of Tyco Electronics Corporation.

REVISIONS			
EC	REV	DESCRIPTION	DATE
		SEE SHEET 1	

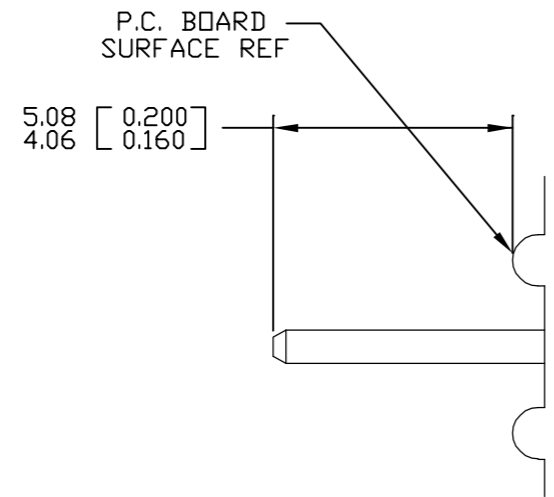


PRINTED CIRCUIT LAYOUT

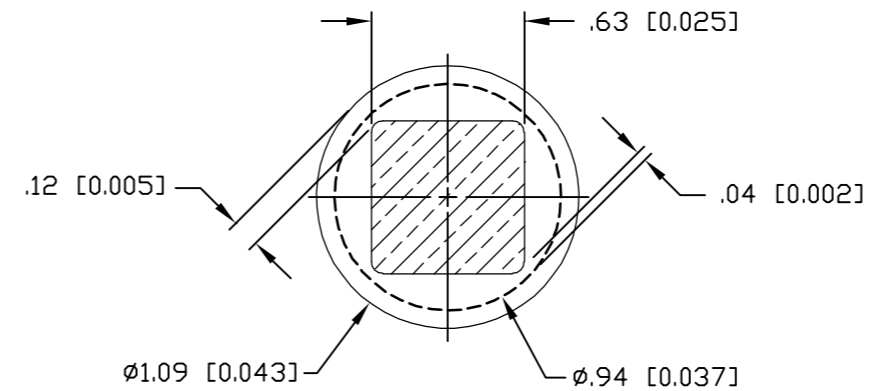
← MM OR MM [INCH] INCH  THIRD ANGLE PROJECTION UNLESS OTHERWISE SPECIFIED DIMENSIONS ARE IN METRIC [INCHES] TOLERANCES ANGLES ± .5° DECIMALS .XX ± .25 [0.010] .X ± .5 [0.020]	DRAWN R. F. A.	DATE 1/20/06	 Tyco Electronics Corporation Menlo Park, Ca 94025 	TITLE PIN CONNECTOR, FLATPAQ RIGHT ANGLE, SOLDER TAILS PN 6766496-1	
	CHECKED				SIZE B
	APPROVED		APPROVED D. CHAU 1/20/06		
	ACAD FILE NUMBER	C6766496A.DWG		DWG SCALE 1=1	SH 2 OF 3

This drawing involves proprietary design rights of Tyco Electronics Corporation, and all design, manufacture, reproduction, use and sale rights regarding the same are expressly reserved. It is submitted for a specific purpose and the recipient by accepting this drawing, assumes custody and control and agrees to take reasonable precautions; (a) that this drawing will not be copied and reproduced, in whole or in part, or its contents revealed in any manner, or to any person except to meet the purpose for which it was delivered and (b) that any special features peculiar to this design will not be incorporated in other projects without the expressed written permission of Tyco Electronics Corporation.

REVISIONS			
EC	REV	DESCRIPTION	DATE
		SEE SHEET 1	

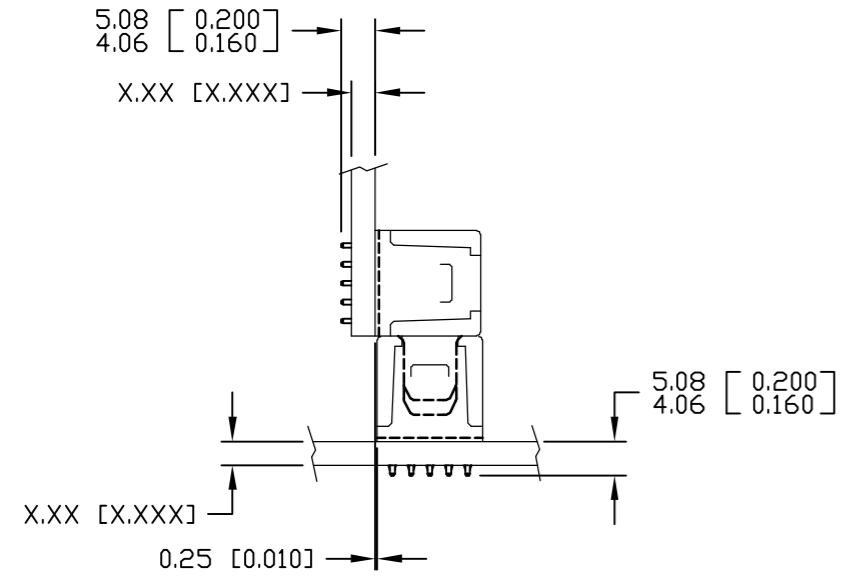


SOLDER PIN DETAIL

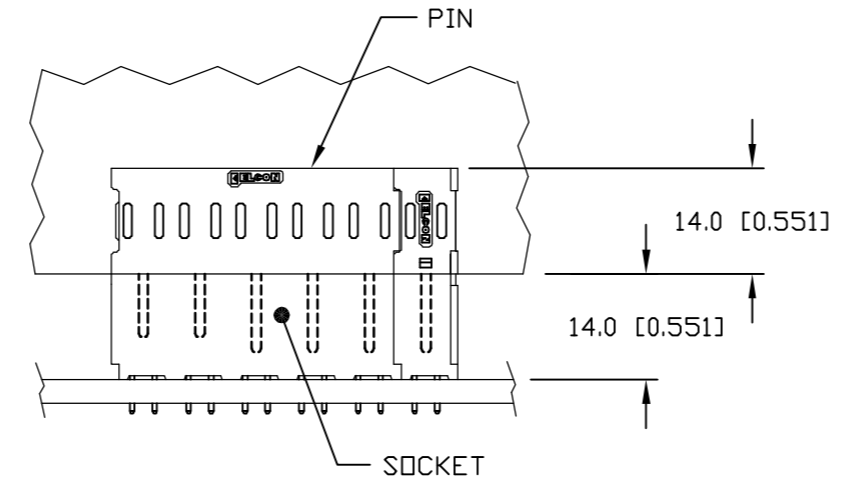


SOLDER TERMINATION AREA  
RECOMMENDED PRINTED CIRCUIT HOLE

FINISHED HOLE:  $\phi 1.02 [0.040] \pm .08 [0.003]$   
 DRILLED HOLE:  $\phi 1.15 [0.0453] \pm .013 [0.0005]$   
 COPPER PLATE: .025 [0.0010] MINIMUM (PER SURFACE)  
 TIN PLATE: .008 [0.0003] MINIMUM (PER SURFACE)



MATED CONDITION



← MM OR MM [INCH] INCH  THIRD ANGLE PROJECTION UNLESS OTHERWISE SPECIFIED DIMENSIONS ARE IN METRIC [INCHES] TOLERANCES ANGLES $\pm .5^\circ$ DECIMALS .XX $\pm .25 [0.010]$ .X $\pm .5 [0.020]$	DRAWN R. F. A.	DATE 1/20/06	 Tyco Electronics Corporation Menlo Park, Ca 94025 	
	CHECKED			TITLE
	APPROVED		APPROVED D. CHAU 1/20/06	USER INFORMATION SOLDER TAIL TERMINATION AND MATED CONDITION
	APPROVED DCA APPROVED M. ALIM		ACAD FILE NUMBER C6766496A.DWG	
		SIZE B	DWG NUMBER C = 6766496	
			REV. A	
			DWG SCALE 1=1	
			SH 3 OF 3	