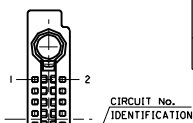


BILL OF MATERIALS

NO.	QUANTITY	SUPPLIER	DESCRIPTION	PART No.	SEE NOTE
1	1	MOLEX	16 CIRCUIT I/O MOBILE PHONE PLUG CONNECTOR	90813-0001	1, 2, 3
2	1	MOLEX	COAXIAL RF CONNECTOR	90853-0001	6
3	1	ROSENBERGER	COAXIAL RF CONNECTOR	26K101-02	6
4	1	NO PREFERRED SUPPLIERS	COAXIAL CABLE 50 OHM	RG 174 A/U	6
5	1 11 5	JST	16 CIRCUIT CONNECTOR CRIMP TERMINAL, 30 AWG CRIMP TERMINAL, 22 AWG	PHDR-16VS SPHD-0031-PO.5 SPHD-0011-PO.5	3, 6
6	1	MOLEX	16 CORE CABLE SEE CABLE SPECIFICATION		4, 5



CABLE SPECIFICATION : 16 CORE CABLE

1. CABLE TYPE: FLAT RIBBON ROUND OTHER
 SPIRAL CABLE YES NO
 NO. OF CONDUCTORS 16

2. CABLE REQUIREMENTS: N/A

3. CONDUCTOR SPECIFICATIONS:

CONDUCTOR NO.	CONDUCTOR NO.		COLOURS:
	1 - 4	5 - 16	
CONDUCTOR 1	CENTRE	OUTSIDE	L WHITE
MATERIAL	TINNED CU	TINNED CU	S GREEN
PLATING	25	30	S GREY
STRANDING	7/34	7/38	S PURP
TENSILE STRENGTH	N/A	N/A	R RED
INSULATION:			R BLUE
MATERIAL	PVC	SEMI-RIGID PVC	R BROWN
MEN. WALL THICKNESS	0.18 REF	0.18 REF	R BROWN
COLOUR	SEE CABLE DIAGRAM	COLOUR CODE	A WHITE/GREEN
OUTSIDE DIAMETER	L25 REF	0.10 REF	B WHITE/YELLOW
DIRECTION OF LAY	Z	S	C YELLOW/BROWN
LENGTH OF LAY	32 REF	45 REF	
WALL FINISH	LA	452	

4. FILLER: ENOUGH TO MAKE THE ASSEMBLY ROUND

5. SEPARATOR: N/A

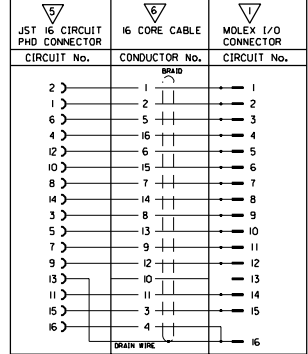
6. SHIELD: N/A
 FOIL TYPE: N/A
 FOIL FINISH: N/A

7. DRAIN WIRE: GAUGE: 28 AWG
 STRANDING: 7/38
 REQUIREMENT: DRAIN TO BE ON THE OUTSIDE OF THE SEPARATOR

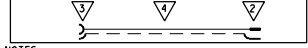
8. SPIRAL BRAID: GAUGE: 24 x 8 x 8 L1
 COPPER TYPE: TINNED CU
 CONDUCTS: 10 x 3

9. CABLE JACKET: TYPE: PVC (GENERAL PURPOSE EXTRUSION GRADE)
 FINAL DIAMETER: 0.8 REF
 MIN. THICKNESS: 0.2 REF
 COLOUR: BLACK
 FINISH: MATT
 ULL RATING: UL - 2827E
 HARDNESS: 61D5 SHORE B
 STAMPABILITY: TO BE EASILY SLIPPED BETWEEN THUMB AND FOREFINGER
 MARKINGS: YEAR AND MONTH OF MANUFACTURE ACCORDING TO IEC 62 INDEX 5.1.1
 TO BE PRINTED IN WHITE EVERY 500.

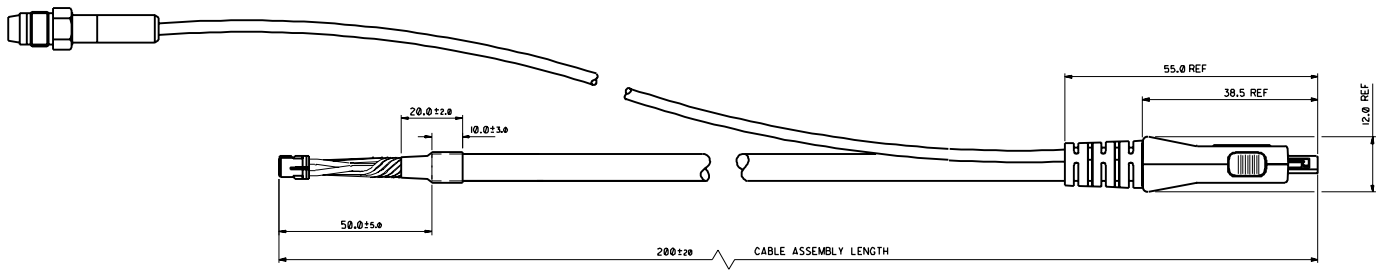
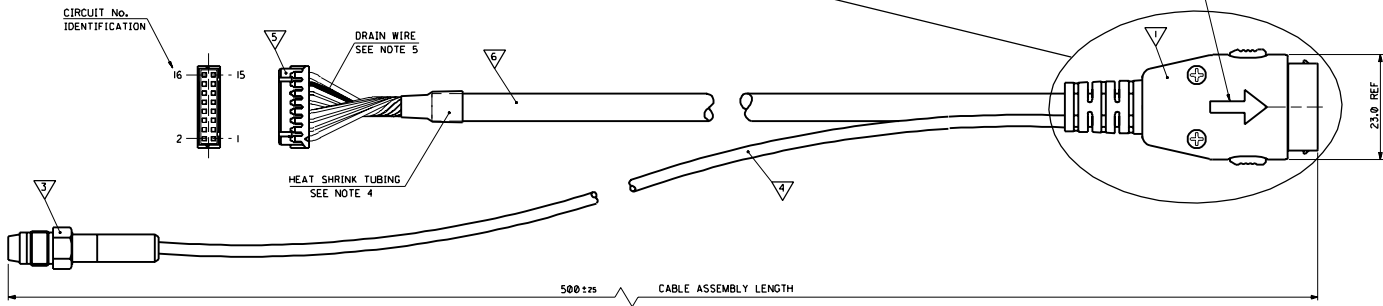
WIRING DIAGRAM : 16 CORE CABLE



WIRING DIAGRAM : R.F. CABLE



- NOTES:**
- MATES WITH SERIES 90811 HANDSET CONNECTOR.
 - SEE PRODUCT SPECIFICATION NO. PS-99020-0033.
 - POWER CONTACTS TO BE ON CIRCUITS 1, 2, 15, 16.
 - CABLE CONDUCTORS & RF COVERED WITH HEAT SHRINK INSULATION TUBING ON MOLEX PLUG END. HEAT SHRINK TO BE USED ALSO, TO COVER DE-MANTLE AREA OF CABLE.
 - OUTER BRAID AND CONDUCTOR NO. 16 TO BE CUT BACK FLUSH WITH DE-MANTLE ON JST AND MOLEX PLUG ENDS. DRAIN WIRE TO BE INSULATED WITH HEAT SHRINK TUBING AND TERMINATED IN JST CONNECTOR.
 - SUPPLIER OR CUSTOMER APPROVED EQUIVALENT.
 - SEE GROMMET SPECIFICATION ES-99038-0001.
 - PACKAGING: SEE PACKING SPECIFICATION ES-99039-0002 (OPTION L3), AND LABELLED AS SHOWN. YEAR AND MONTH, 'XX', TO BE PRINTED ACCORDING TO IEC 62 INDEX 5.1.1.
 - SEE TERMINATION SPECIFICATION ES-99033-0003.



SEE NOTE 8
 BNo. 45816.019
 XX MXI
 MOLEX 90813-1017

CHECKED BY: [] DESIGNED BY: [] DRAWN BY: [] DATE: [] SCALE: [] SHEET NO.: [] DATE: []	REVISE ONLY ON CAD SYSTEM 1. DATE: [] 2. DATE: [] 3. DATE: []	FILE: [] SYSTEM CONNECTOR MOLEX CABLE ASSEMBLY	SHEET NO. DATE: [] OF: [] 26/03/13