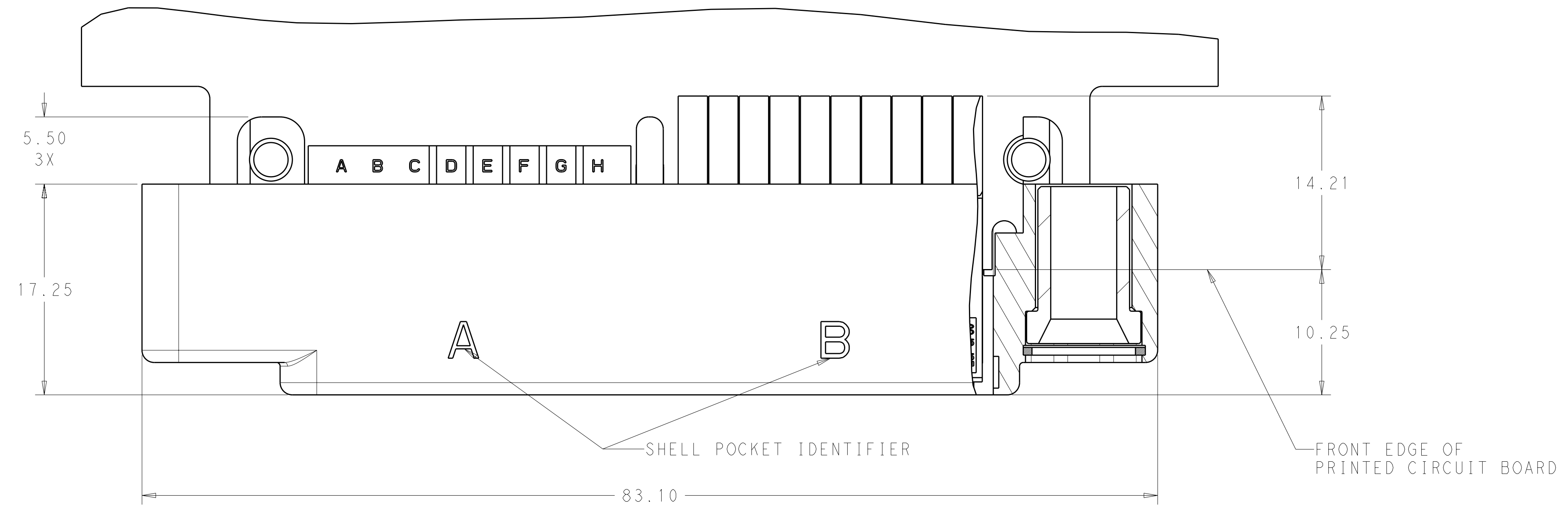
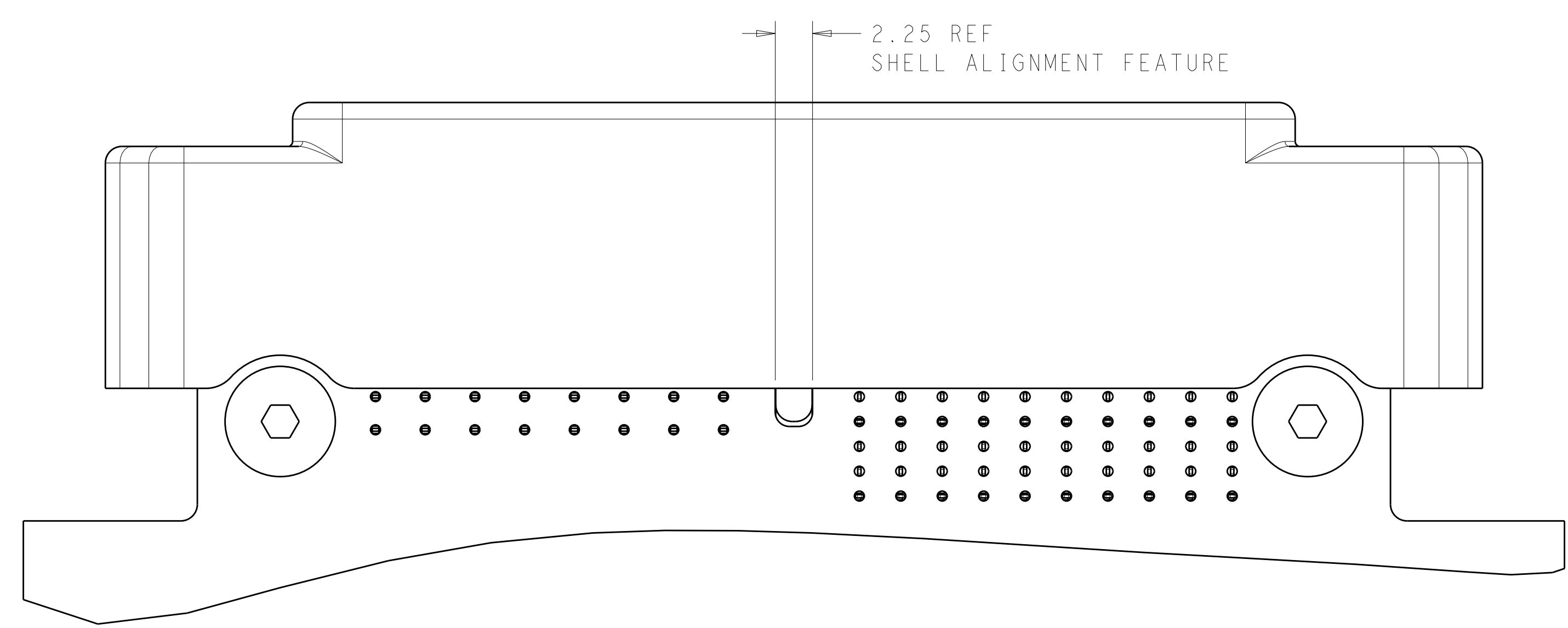
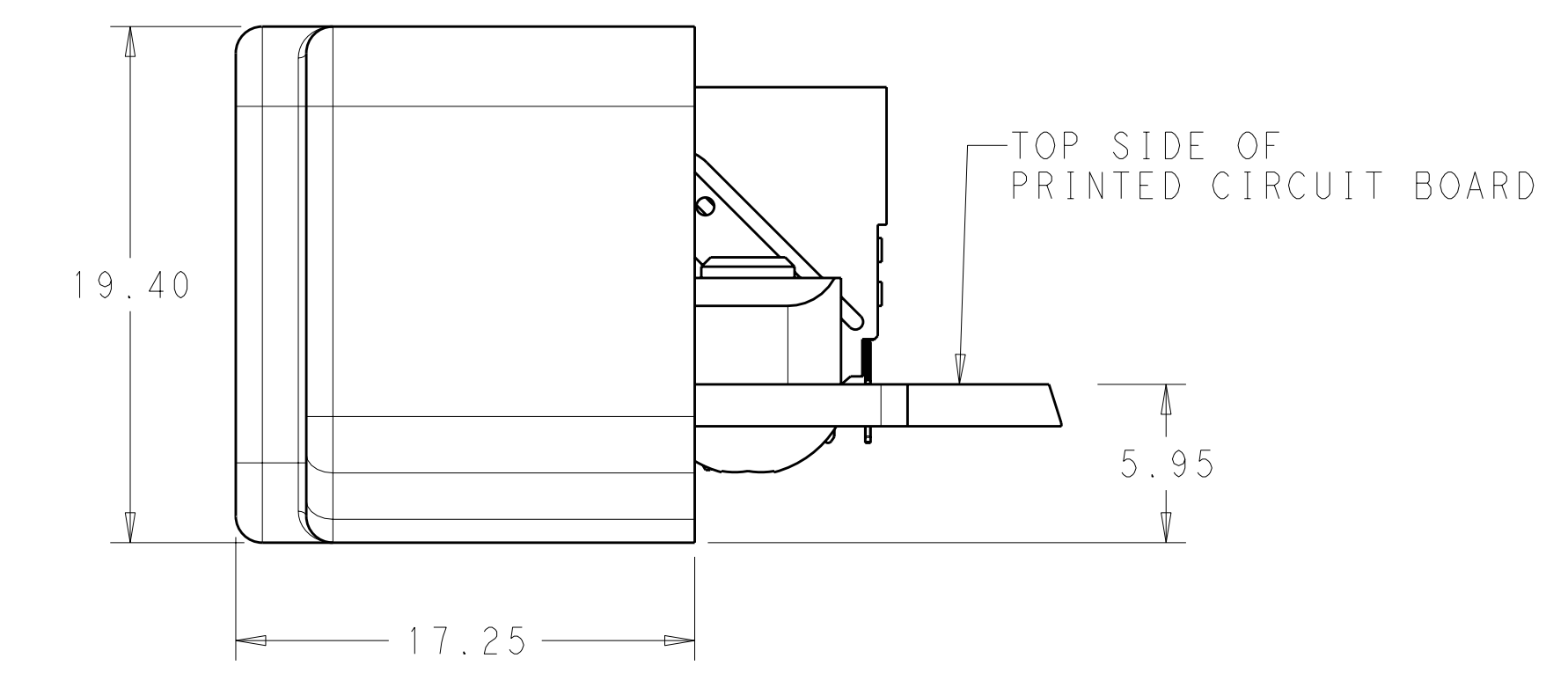
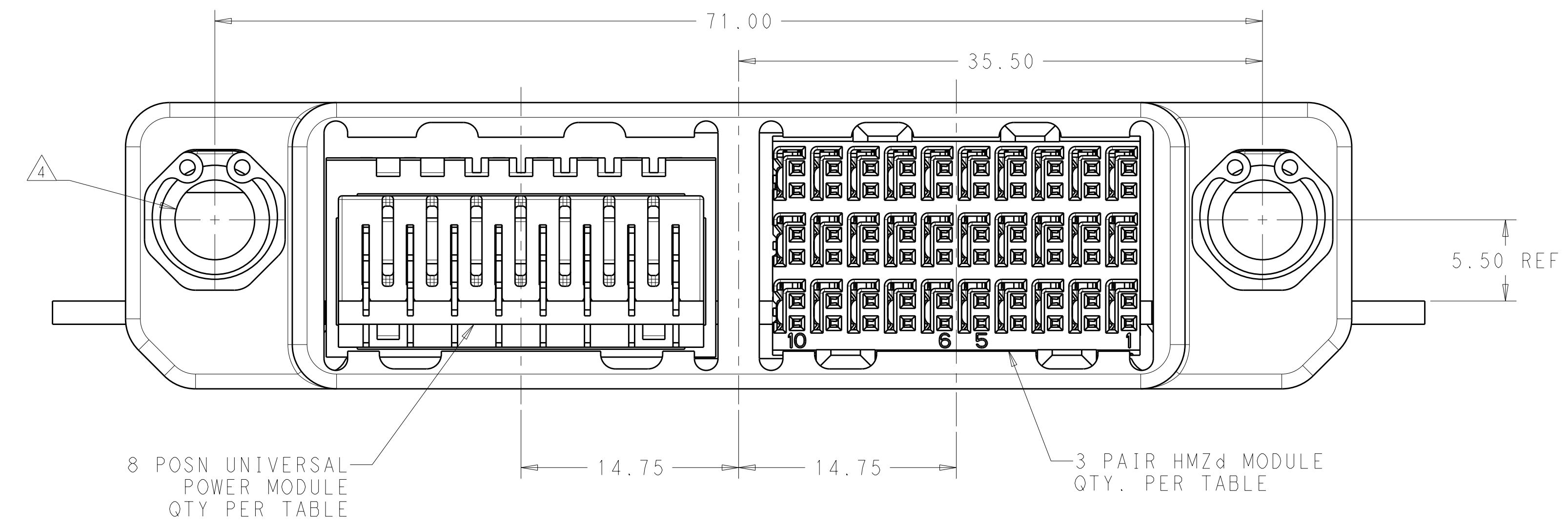


LOC	DIST	REV	DATE	BY	CHK	APPV
-	-	D	3-2-11	CT	DH	



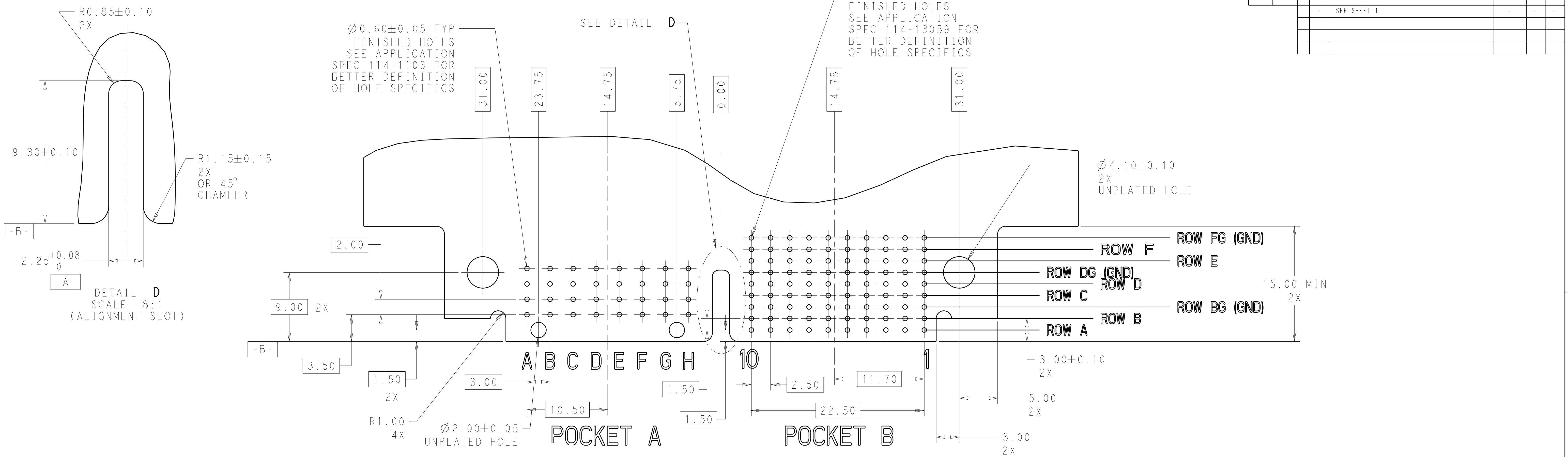
- MATING CONNECTOR FOR THIS CONNECTOR IS 2033994.
- MATERIAL - SHELL: ALUMINUM
HOUSING: GLASS FILLED POLYESTER, UL94VO
RETAINING RING: STAINLESS STEEL
KEYING GUIDE SOCKET: STAINLESS STEEL
- PLATING - CONTACT MATING AREA:
1.27µm MIN GOLD OVER 1.27µm MIN NICKEL
CONTACT PCB AREA: 0.5µm MIN BRIGHT
TIN-LEAD OVER 1.27µm MIN NICKEL
- SHELL: ELECTROLESS NICKEL
- KEYING GUIDE SOCKET AND RETAINING RING PACKAGED FOR ASSEMBLY BY CUSTOMER.



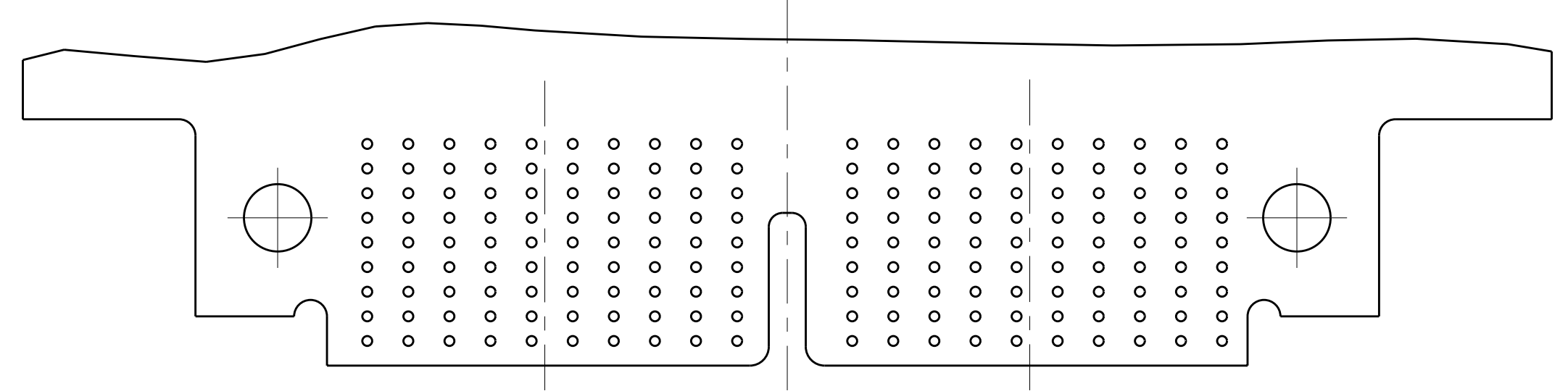
-	2	-	2033993-3
1	1	-	2033993-2
NOT RELEASED			2033993-1
8 POSN UPM	3 PAIR HMZd WITHOUT ESD SHIELD	3 PAIR HMZd WITH ESD SHIELD	PART NUMBER
MODULE QTY PER ASSY			

DIMENSIONS: mm TOLERANCES UNLESS OTHERWISE SPECIFIED: 9 PLC ± 1 PLC ±0.13 5 PLC ±0.013 4 PLC ± ANGLES ±#1 FINISH: 2, 3		DWN: Brent D. Toth CHK: CHONG YI APPV: M. R. McALONIS DATE: 13JAN2010 PRODUCT SPEC: 108-2381 APPLICATION SPEC: WEIGHT: CUSTOMER DRAWING	Tyco Electronics Harrisburg, PA 17105-3608 DAUGHTER CARD CONNECTOR HIGH SPEED RUGGEDIZED (HSR) 2 BAY, UNSEALED, RIGHT ANGLE SIZE: CAGE CODE: DRAWING NO: A100779C=2033993 SCALE: 1:1 SHEET 1 OF 2 REV D
---	--	--	--

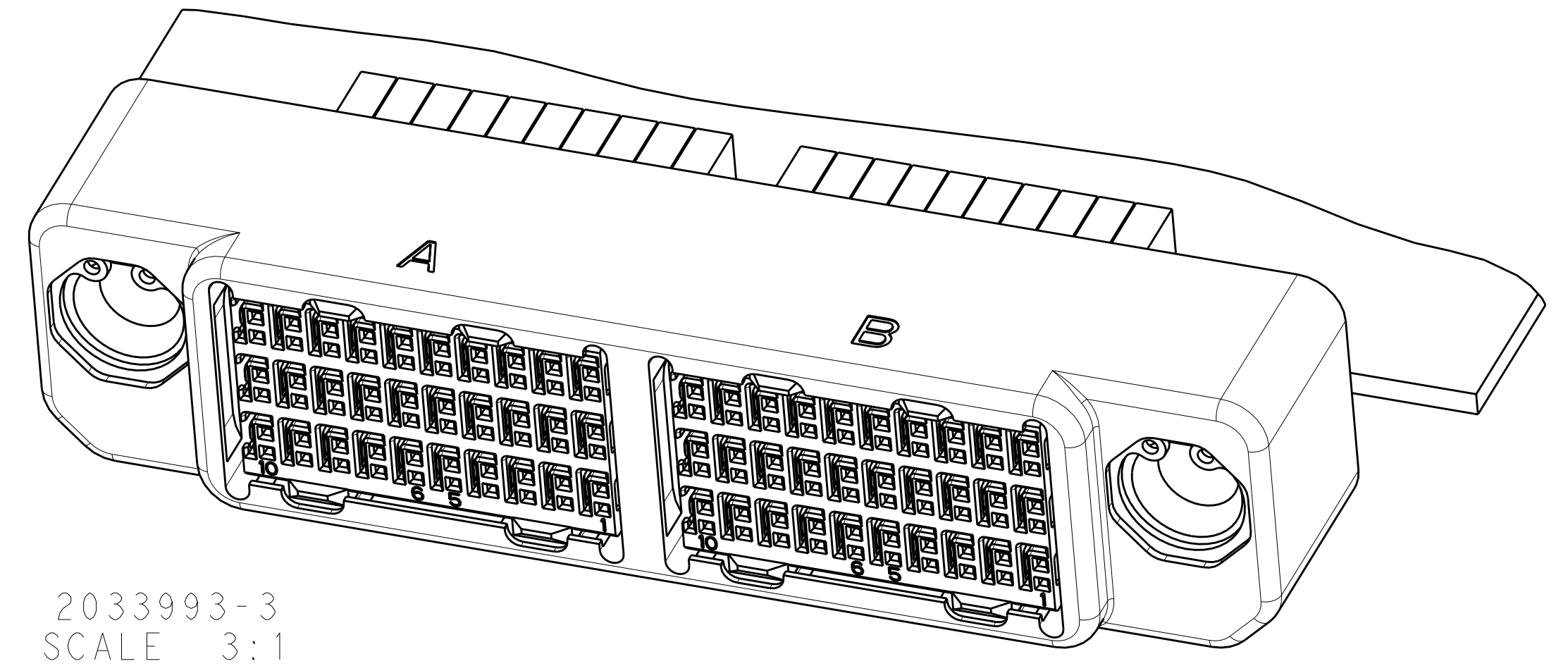
LOC		DIST		REVISIONS			
NO.	DATE	BY	APP'D	DESCRIPTION	DATE	BY	APP'D
-	-	-	-	SEE SHEET 1	-	-	-



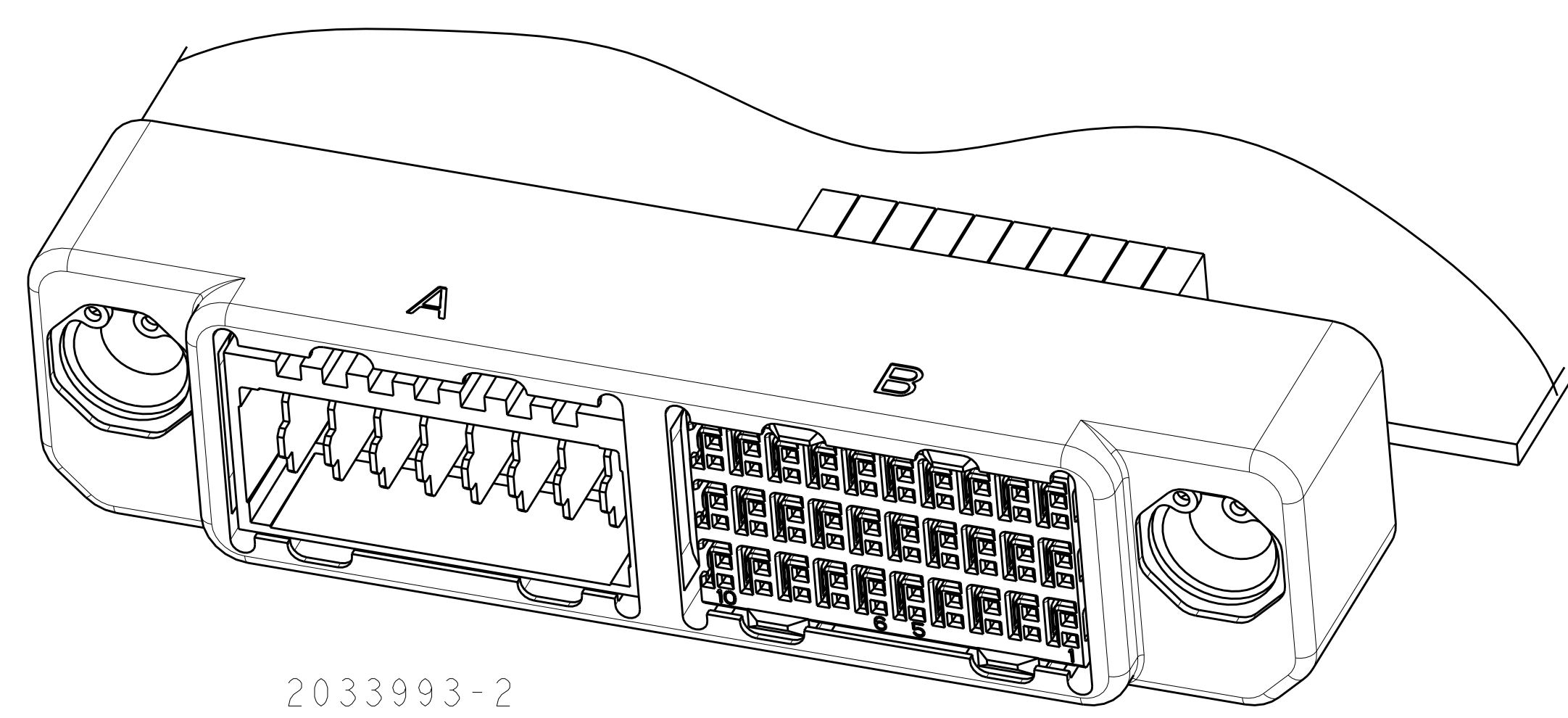
**RECOMMENDED PRINTED CIRCUIT BOARD LAYOUT
 AS VIEWED FROM TOP OF PRINTED CIRCUIT BOARD**



2033993-3 PCB
 SCALE 3:1



2033993-3
 SCALE 3:1



2033993-2
 SCALE 3:1

<small>THIS DRAWING IS UNPUBLISHED. RELEASED FOR PUBLICATION BY TYCO ELECTRONICS CORPORATION. ALL INTERNATIONAL RIGHTS RESERVED. THIS IS SUBJECT TO CHANGE WITHOUT NOTICE. TYCO ELECTRONICS CORPORATION SHALL BE CONTACTED FOR THE LATEST REVISION.</small>		DWN: Brent D. Toth CHK: CHONG YI APVD: M. R. McALONIS	DATE: 13JAN2010 DATE: 13JAN2010 DATE: 13JAN2010	Tyco Electronics Harrisburg, PA 17105-3608
DIMENSIONS: mm	TOLERANCES UNLESS OTHERWISE SPECIFIED: 9 PLC ± 1 PLC ±0.13 5 PLC ±0.013 4 PLC ±* ANGLES ±#1	NAME: M. R. McALONIS PRODUCT SPEC: 108-2381 APPLICATION SPEC:	NAME: DAUGHTER CARD CONNECTOR HIGH SPEED RUGGEDIZED (HSR) 2 BAY, UNSEALED, RIGHT ANGLE	SIZE: A100779 CAGE CODE: C=2033993 DRAWING NO:
MATERIAL:	FINISH:	WEIGHT:	CUSTOMER DRAWING:	SCALE: 4:1 SHEET: 2 OF 2 REV: D