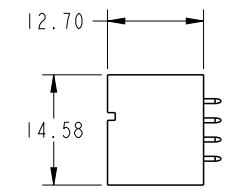
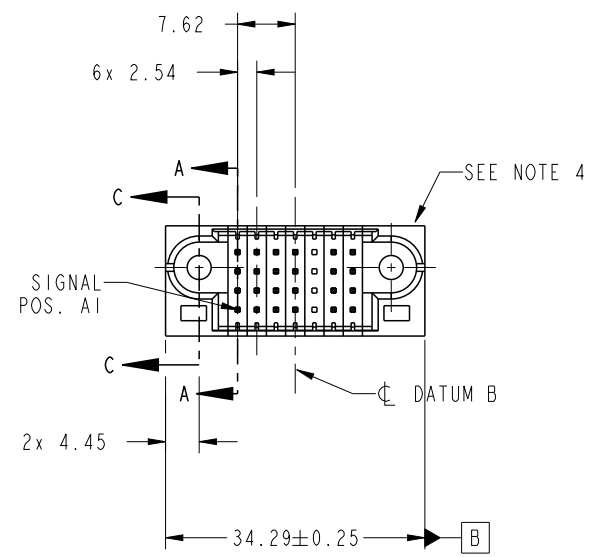




Copyright FCI.

PRODUCT NO. 51952-270-- NOTE ③	ROWS D C B A	SIGNAL						
		E1	1	2	3	4	5	6



CODE	DIM "M" MATING LENGTH	CONTACT TYPE
M	[6.86]	SIGNAL
X	OMITTED	

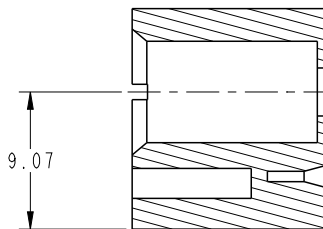
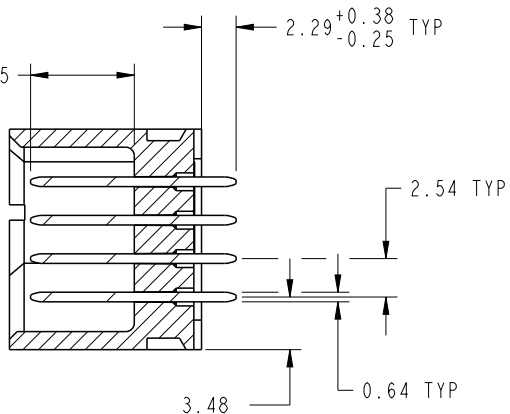
spec ref	See Notes			dr	Ruan MT	2013/12/23	projection 	MM ←→	size	A4	scale	1:1		
tolerance std	TOLERANCES UNLESS OTHERWISE SPECIFIED			eng	Luo Weller	2014/01/07			ecn no	-				
See Notes				chr	-	-			rel level	Released				
surface ✓	linear	0.X	±0.50	FCI	title	28S	www.fci.com	dwg no	51952-270	rev	A			
		0.XX	±0.25								cat. no.	&model_name	Product - Customer Drw	sheet 1 of 4
		0.XXX	±0.10											
angular	0°	±2°												

PrdE File - REV C - 2009-06-09

PRODUCT NUMBER

51952-270--
NOTE 3

DIM "M" ±0.25



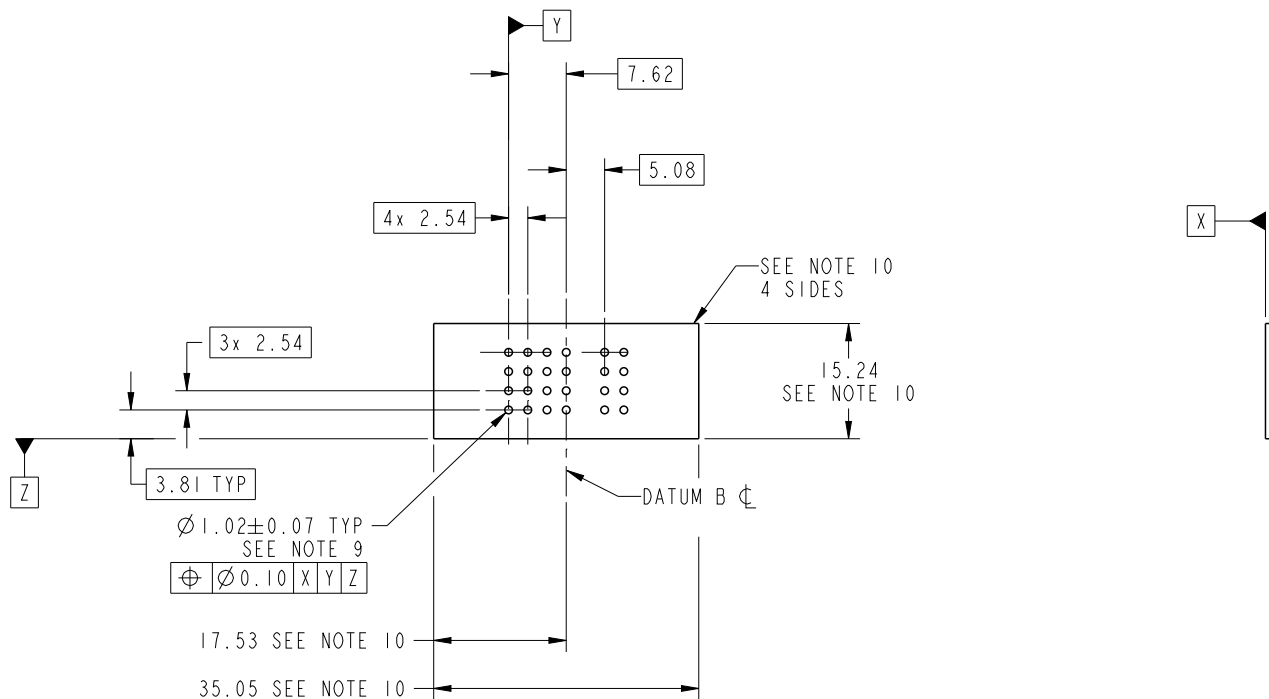
dr	Ruan MT	2013/12/23	projection 	MM 	size	A4	scale	1:1
eng	Luo Weller	2014/01/07			ecn no	-		
chr	-	-			rel level	Released		
appr	Pei-Ming Zheng	2014/01/07	product family	PwrBlade				
	title	28S VERTICAL SOLDEER HEADER		dwg no	51952-270		rev	A
www.fci.com	cat. no.	&model_name	Product - Customer Drw		sheet 2 of 4			



Copyright FCI.

PRODUCT NUMBER

51952-270__
NOTE 3



RECOMMENDED PCB LAYOUT

dr	Ruan MT	2013/12/23	projection 	MM 	size	A4	scale	1:1
eng	Luo Weller	2014/01/07			ecn no	-		
chr	-	-			rel level	Released		
appr	Pei-Ming Zheng	2014/01/07	product family	PwrBlade				
		title 28S VERTICAL SOLDEER HEADER	dwg no 51952-270	rev A				
www.fci.com	cat. no.	&model_name	Product - Customer Drw	sheet 3 of 4				

PRODUCT NUMBER

51952-270__
NOTE 3

NOTES:

1. DIMENSIONS AND TOLERANCES ARE IN ACCORDANCE WITH ASME Y14.5M, 1994 UNLESS OTHERWISE SPECIFIED.

CONNECTOR NOTES:

- 2 HOUSING MATERIAL: UL 94 V-0 GLASS FILLED HIGH-TEMP THERMOPLASTIC
POWER CONTACT MATERIAL: COPPER ALLOY
SIGNAL PIN MATERIAL: COPPER ALLOY
 - 3. SEE ITEM 1 & 2 IN PRINT 10064183 FOR PLATING SPEC OF 51952-270 AND 51952-270LF RESPECTIVELY.
 - 4 MANUFACTURER'S NAME, DATE CODE AND OPTIONAL P/N TO APPEAR ON THIS SURFACE. THE MARK CAN BE OMITTED IF THERE IS NOT ENOUGH SPACE ON THIS SURFACE.
 - 5. PRODUCT SPECIFICATION GS-12-149.
APPLICATION SPECIFICATION BUS-20-067.
 - 6. PACKAGED IN TRAYS.
- PCB NOTES:
- 7. ALL HOLE DIAMETERS ARE FINISHED HOLE SIZE.
 - 8. MOUNTING HOLES, WHERE APPLICABLE, ARE UNPLATED.

9 $\varnothing 1.151 \pm 0.025$ DRILLED HOLES PLATED WITH 0.008 MIN SnPb OR Sn OVER .001 [0.03] TO 0.08 Cu PLATING TO ACHIEVE $\varnothing 1.02 \pm 0.07$ HOLE.

10 CONNECTOR KEEP-OUT ZONE.

dr	Ruan MT	2013/12/23	projection 	MM 	size	A4	scale	1:1		
eng	Luo Weller	2014/01/07			ecn no	-				
chr	-	-			product family	PwrBlade	rel level	Released		
appr	Pei-Ming Zheng	2014/01/07			title	28S VERTICAL SOLDEER HEADER	dwg no	51952-270	rev	A
www.fci.com		cat. no.	&model_name	Product - Customer Drw	sheet 4 of 4					



Copyright FCI.