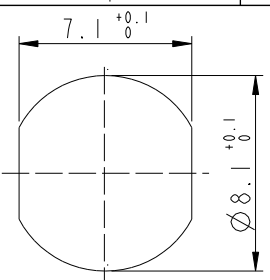
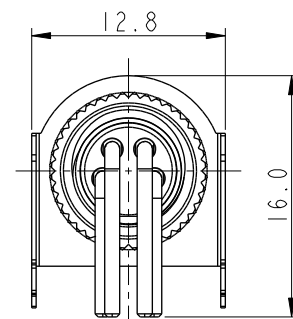
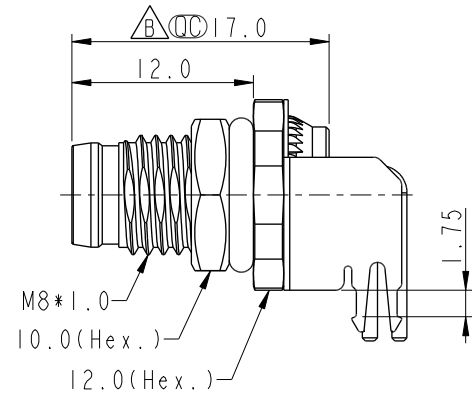
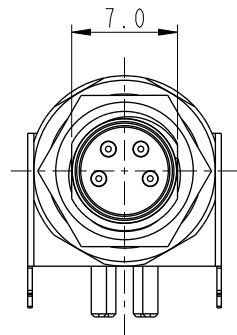


THIS DOCUMENT IS SUBJECT TO CHANGE WITHOUT NOTICE. IT IS CONFIDENTIAL AND A PROPERTY OF Amphenol LTW. DISCLOSURE TO THIRD PARTY HAS TO BE AUTHORIZED BY Amphenol LTW.

REV.	ECN NO.	DATE	SIGN	DESCRIPTION
B	C210686	2021/05/12	Vicky	△B X4

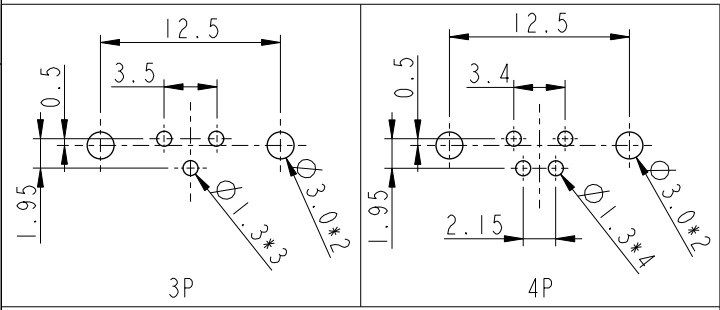


Recommended Panel Cut-Out

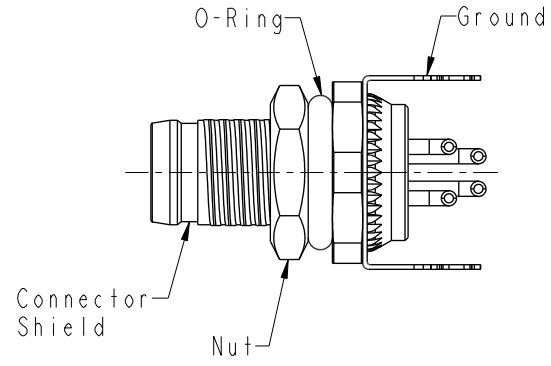


△B M8S-XXPMMR-SF8001

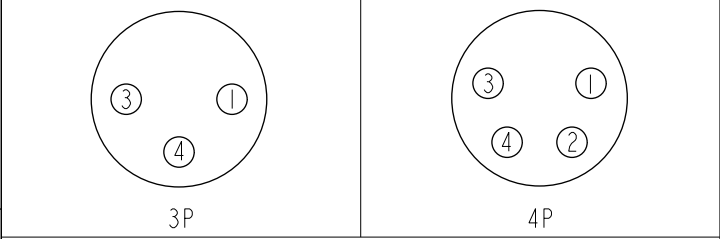
XX: No. Of Pin



PCB Layout



- △B Note:
- * RoHS Compliant
 - * Ⓞ Important dimension
 - * Waterproof rate: IPX8, unmated 1m/24h
 - * Connector Housing: Thermoplastic, Black
 - * Pin: Copper alloy, Gold plated
 - * Shield: Metal
 - * Ground: Metal
 - * Nut: Metal
 - * O-Ring: Rubber, Green
 - * For panel thickness: 2.0~4.0mm
 - * For pcb thickness max: 1.6mm
 - * Nut is packed separately in pe bag



Pin Assignments Front View

UNIT: mm		TITLE
TOLERANCE .X ±0.25 .XX ±0.1 .XXX ±0.05 ANGLES ±1°		N SEN, M8-SHLD, SCREW RECEPTACLE, M, M, PCB R
SCALE 2:1	SIZE A4	SHEET 1 OF 1
REV. B	WC-REV. A.7	Ⓞ: Inspection item

Amphenol LTW
安費諾亮泰企業股份有限公司

ITEM NO	DRAWN BY	DATE
	Yulong_wang	2016-01-20
DWG NO	CHECKED BY	DATE
M8S-XXPMMR-SF8001	Cary	2016-01-20
CUSTOMER	APPROVED BY	DATE
ALTW	Jerry	2016-01-20