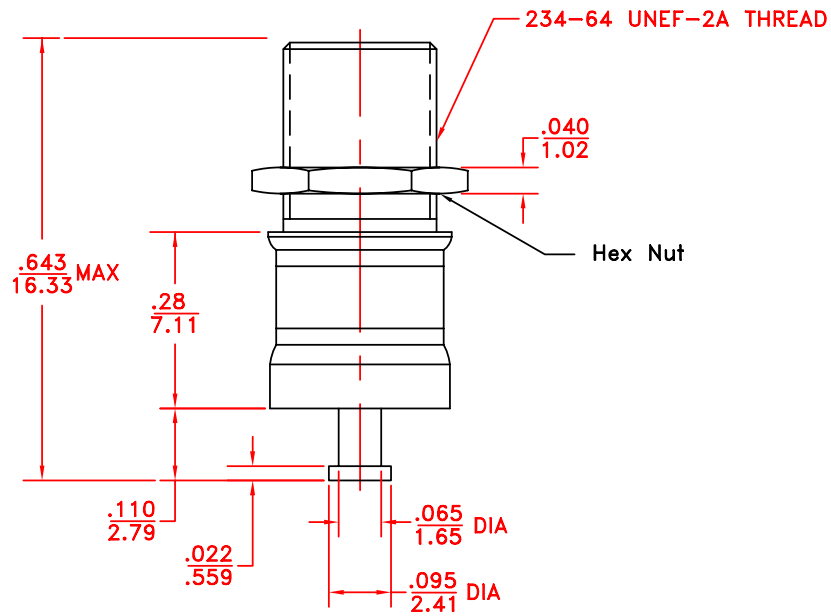
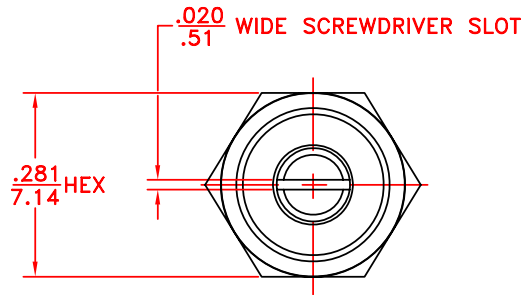


REV	DESCRIPTION	DATE	APP
00	NEW DRAWING	10/10/12	D.D.



NOTES:

1. Capacitance Range:  $\leq 2.0$  to  $\geq 20.0$  pF.
2. Working Voltage 1000 VDC
3. Withstanding Voltage test at 2000 VDC
4.  $Q @ C_{max}$  and 100 MHz  $> 2000$
5. Operating Temperature  $-55^{\circ}C$  to  $+125^{\circ}C$
6. TC  $0 \pm 50$  ppm
7. Adjustment Torque .5 to 5.0 oz-in
8. Dimensions: ( in/mm )
9. Construction: nonmagnetic

TOLERANCES: (EXCEPT AS NOTED)		SPRAGUE GOODMAN ELECTRONICS INC. 1700 SHAMES DRIVE WESTBURY, NY 11590	
DECIMAL: .XX $\pm .010$ IN .XXX $\pm .005$ mm	MATERIAL:	SCALE: 4:1	DRAWN BY: R. LEVIN APPROVED: D. DITLYA
FRACTIONAL: 1/64	TITLE: OUTLINE DWG SGNMA3T20001		USED FOR:
ANGULAR: 1°	DATE: 10/10/12	DRAWING NUMBER SGNMA3T20001	REV. 00