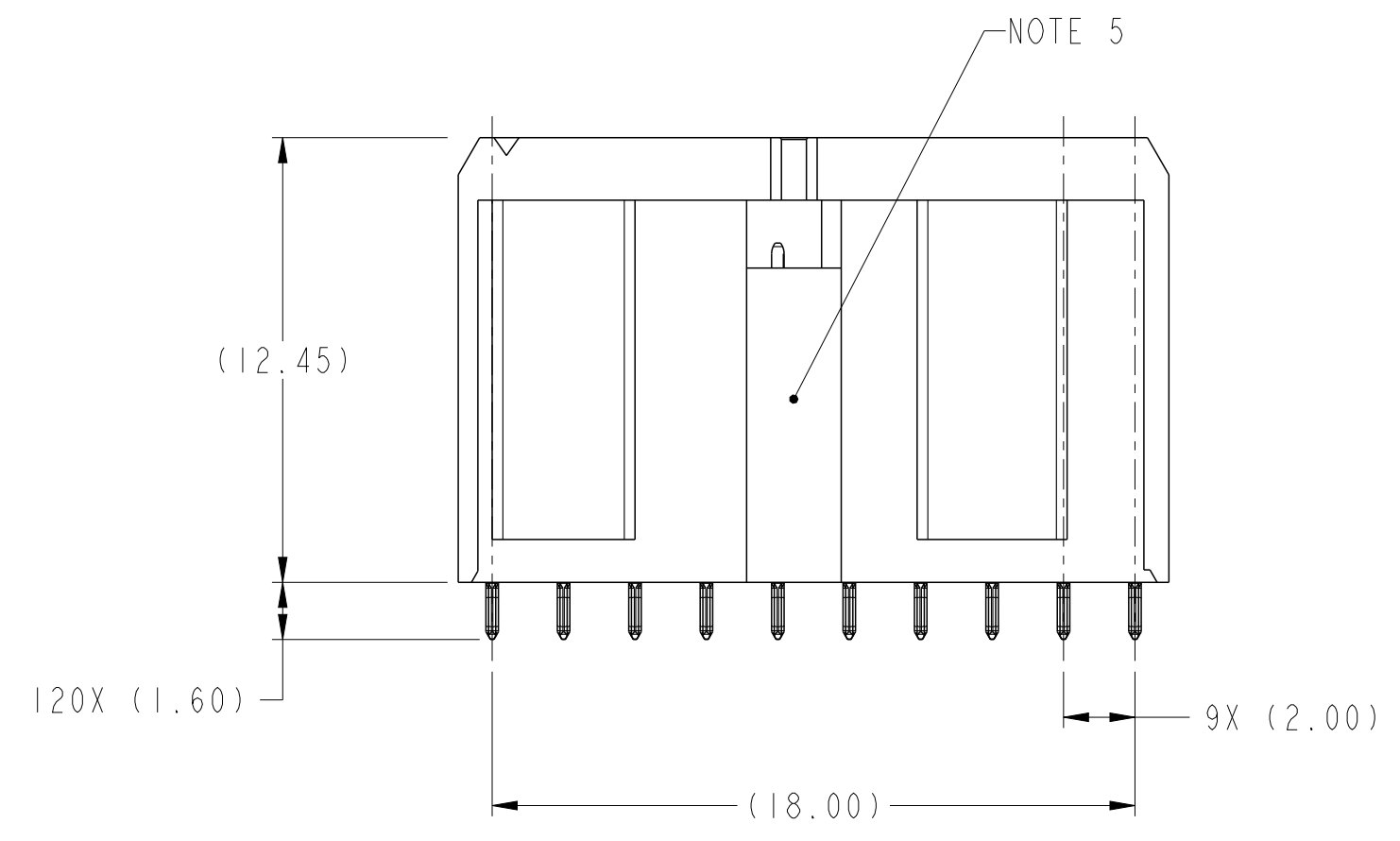
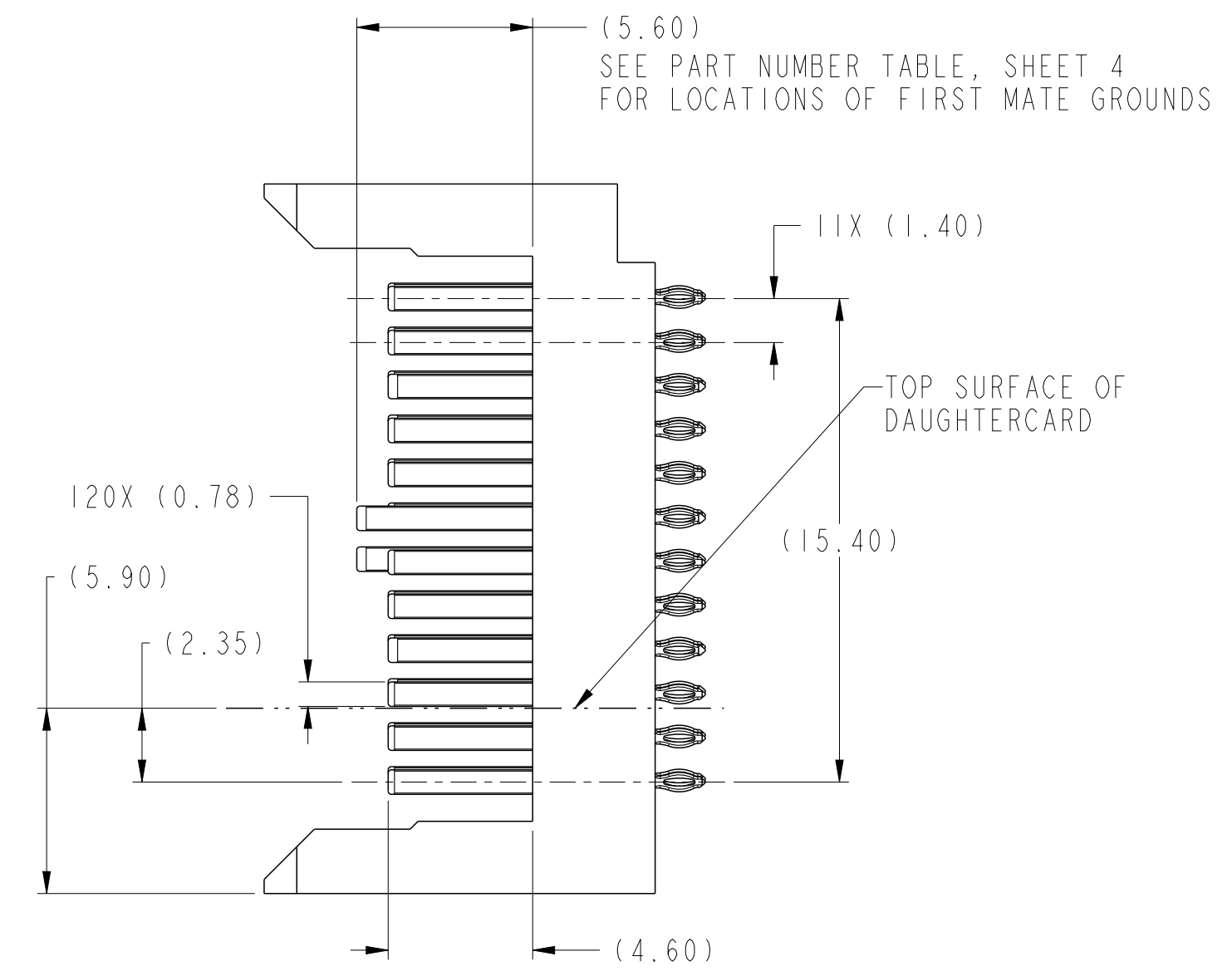
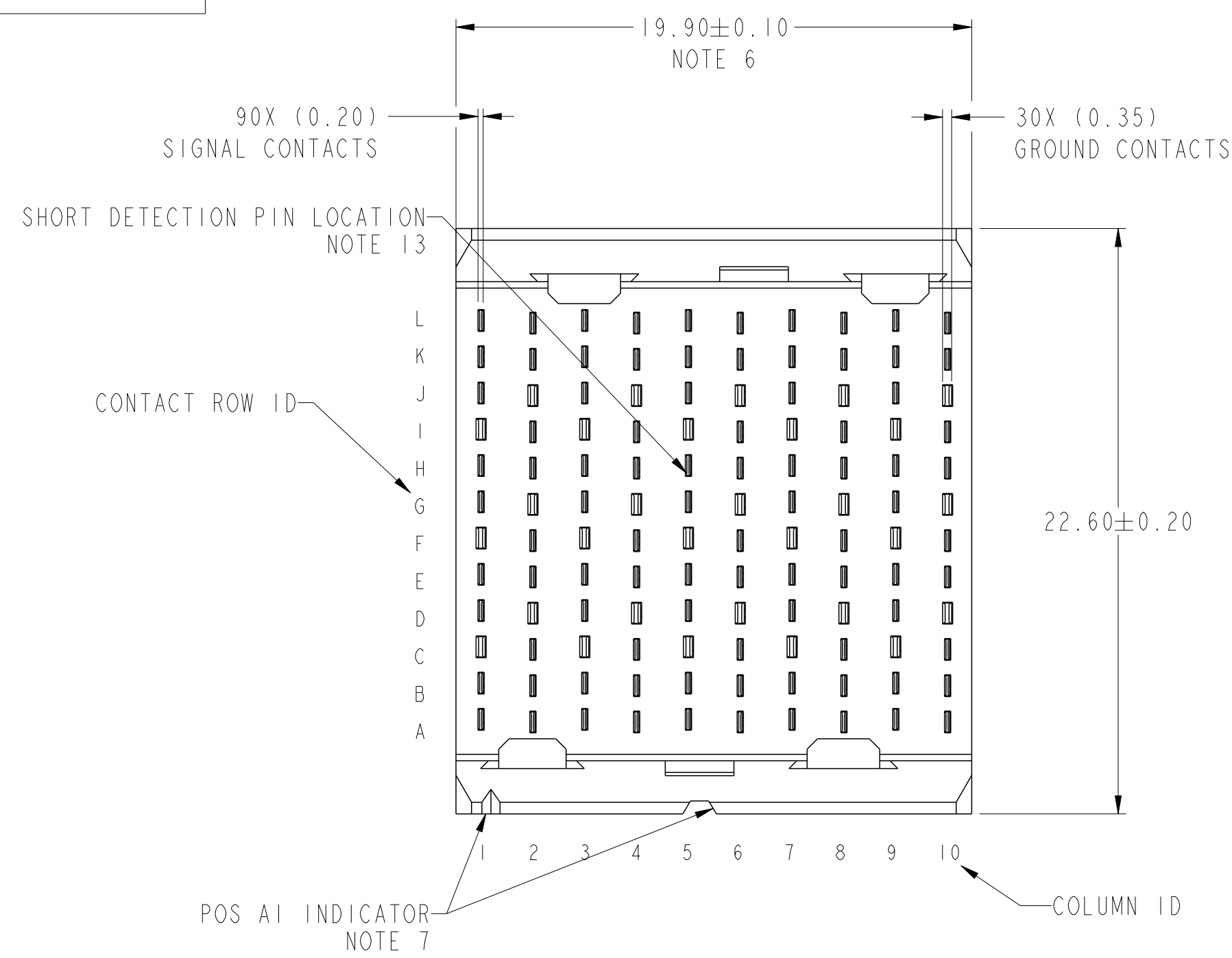


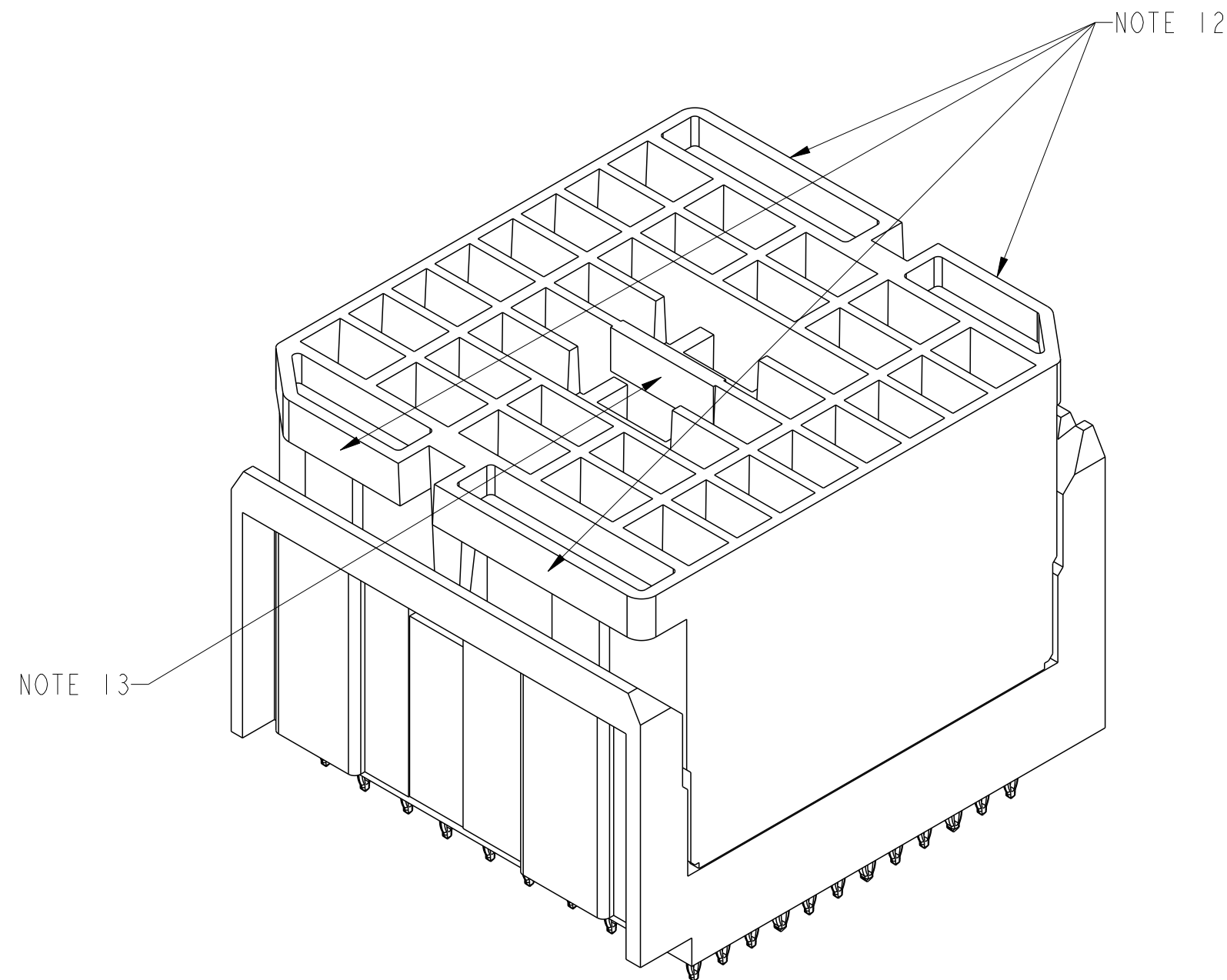
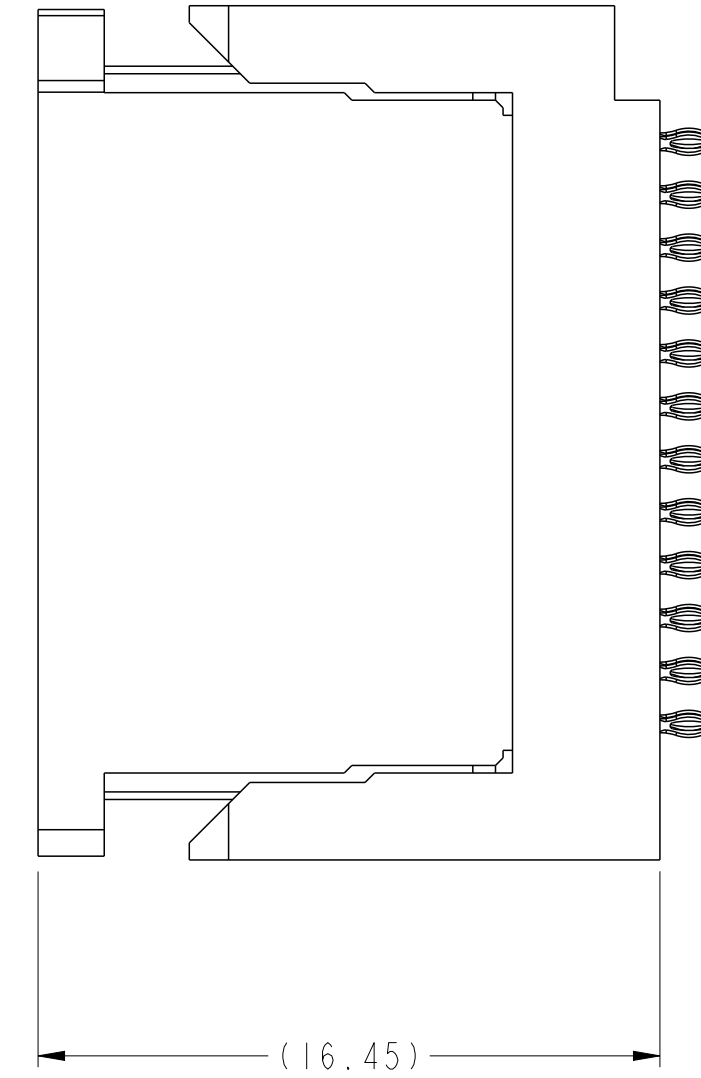
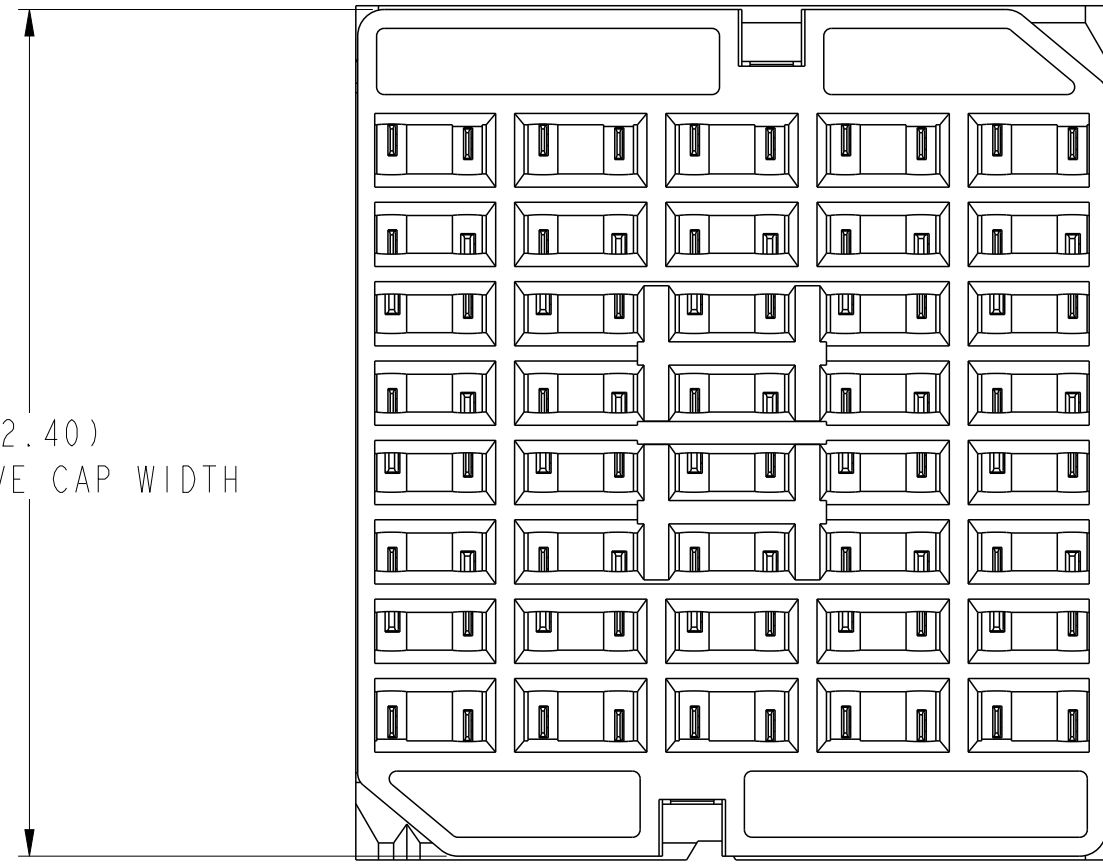
Product number
SEE TABLE, SHT 4



spec ref	-	dr	Sander Soe	2012/09/12	projection	MM	size	A2	scale	5:1
tolerance std	ASME Y14.5	eng	Tao Zhan	2014/10/23			ecn no	ELX-DG-18510-1		
TOLERANCES UNLESS OTHERWISE SPECIFIED		chr	-	rel level			Released			
surface	✓	appr	Collins Lu	2014/10/23			product family	AIRMAX VS	cat. no.	10122770
ASME Y14.5	linear	0.X	±0.3	www.fci.com	angular	0°	±2°	Product - Customer Drw		sheet 1 of 4

Copyright FCI. FCI

(22.40)
PROTECTIVE CAP WIDTH

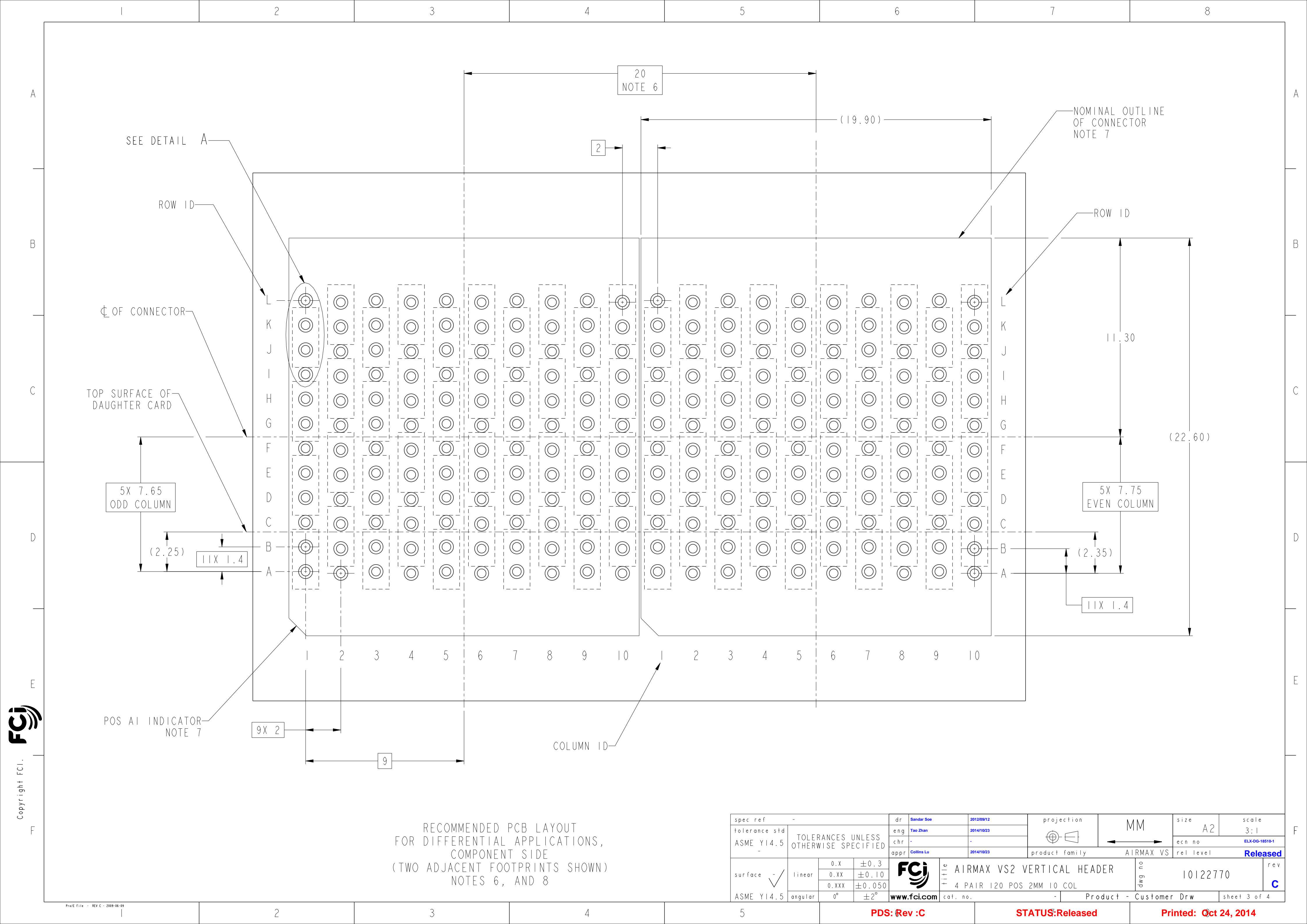


VIEWS SHOWN WITH
PROTECTIVE COVER INSTALLED
10122770-1*1LF

spec ref	-	dr	Sander Soe	2012/09/12	projection	MM	size	A2	scale	5:1		
tolerance std	ASME Y14.5	eng	Tao Zhan	2014/10/23			ecn no	ELX-DG-18510-1				
		chr	-	rel level			Released					
		appr	Collins Lu	2014/10/23			product family	AIRMAX VS				
surface	✓	linear	0.X	±0.3		title AIRMAX VS2 VERTICAL HEADER 4 PAIR 120 POS 2MM 10 COL	dwg no 10122770	rev C				
			0.XX	±0.10					cat. no.	-	Product - Customer Drw	sheet 2 of 4
		angular	0°	±2°								



Copyright FCI.



RECOMMENDED PCB LAYOUT
FOR DIFFERENTIAL APPLICATIONS,
COMPONENT SIDE
(TWO ADJACENT FOOTPRINTS SHOWN)
NOTES 6, AND 8

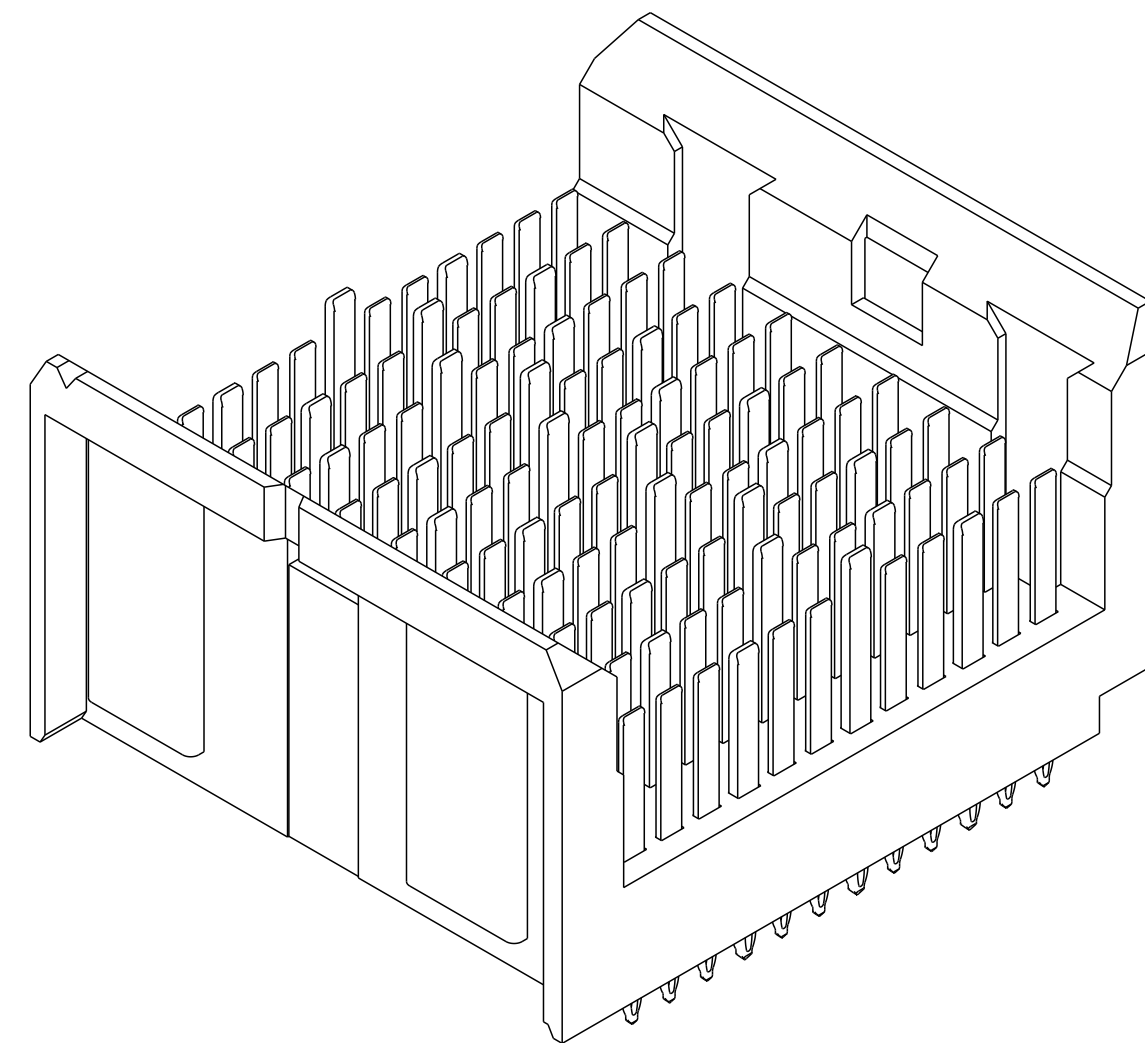
spec ref	-	dr	Sander Soe	2012/09/12	projection	MM	size	A2	scale	3:1
tolerance std	ASME Y14.5	eng	Tao Zhan	2014/10/23			ecn no	ELX-DG-18510-1		
TOLERANCES UNLESS OTHERWISE SPECIFIED		chr	-	rel level			Released			
surface	✓	appr	Collins Lu	2014/10/23			product family	AIRMAX VS	cat. no.	10122770
ASME Y14.5	linear	0.X	±0.3	www.fci.com	angular	0°	±2°	Product - Customer Drw		sheet 3 of 4
		0.XX	±0.10							
		0.XXX	±0.050							

PART NUMBER	PRESS-FIT TAIL PLATING TYPE	DETECTION PIN	PROTECTIVE COVER	LONG GND PIN LOCATIONS (5.6mm)	REMARKS
10122770-101LF	TIN OVER NICKEL (LEAD FREE)	NO	YES	F1, F3, F5, F7, F9, G2, G4, G6, G8, G10	2-SIDED PLATING
10122770-111LF		YES	YES		
10122770-121LF		YES	YES	NO LONG GND PIN	

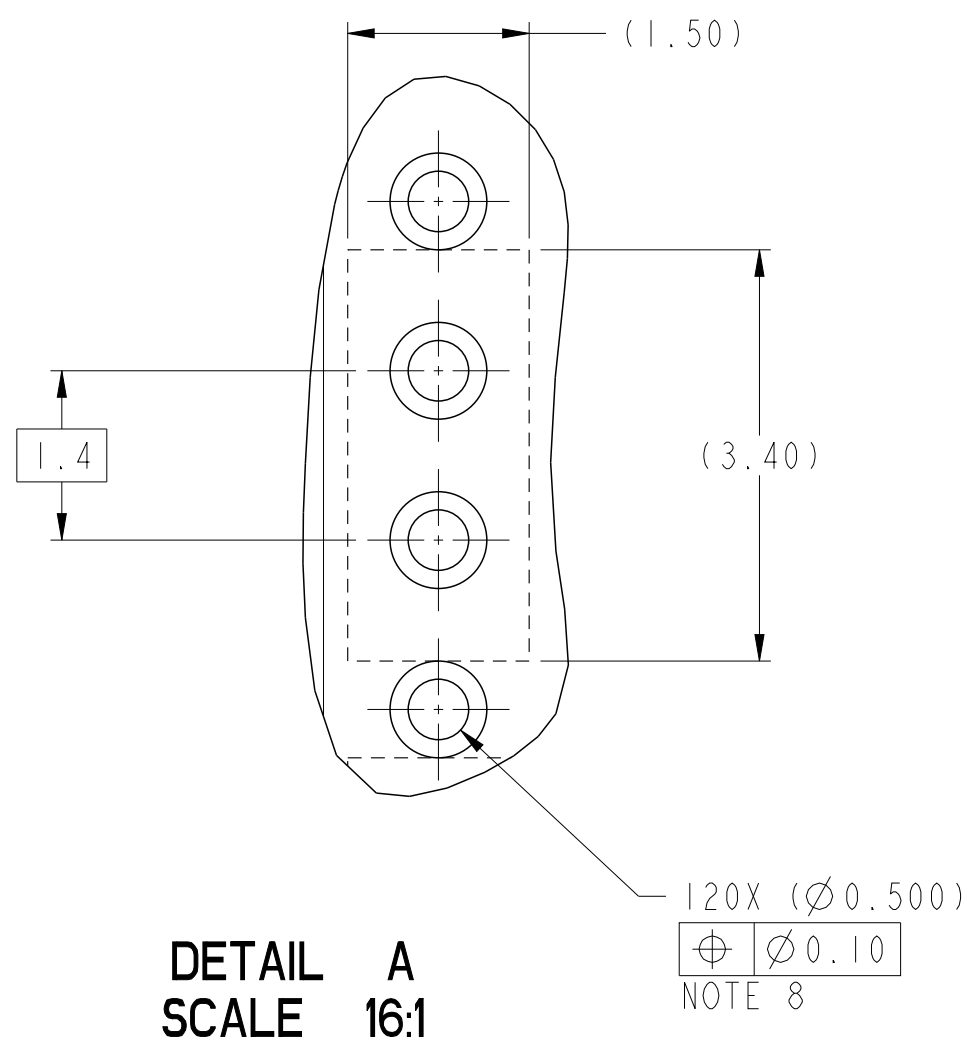


NOTES:

- CONNECTOR MATERIALS:
HOUSING: HIGH TEMP THERMOPLASTIC, BLACK, UL94V-0
CONTACT: COPPER ALLOY
- CONTACT PLATING:
SEPARABLE INTERFACE: PERFORMANCE-BASED PLATING, QUALIFIED TO MEET THE REQUIREMENTS OF FCI PRODUCT SPECIFICATION GS-12-239 INCLUDING TELCORDIA GR-1217-CORE (NOVEMBER 1995) CENTRAL OFFICE TEST SEQUENCE
PRESS-FIT TAILS: SEE TABLE
- PRODUCT SPECIFICATION: GS-12-239.
- APPLICATION SPECIFICATION: GS-20-035.
- PRODUCT MARKING, (PROTOTYPE, PART NUMBER & LOT CODE), ON THIS SURFACE.
- THE MINIMUM CENTERLINE SPACING BETWEEN ADJACENT MODULES IS 20.0 mm.
- CONNECTOR OUTLINE WITH HOUSING POS A1 INDICATOR MAY BE SCREEN PRINTED ONTO CUSTOMER PCB TO BE USED AS A GUIDE FOR MANUAL CONNECTOR PLACEMENT.
- REFER TO CUSTOMER DRAWING 10104444 FOR INFORMATION ON PCB HOLE DIAMETERS AND PLATING OPTIONS.
- THIS PRODUCT MEETS EUROPEAN UNION DIRECTIVES AND OTHER COUNTRY REGULATIONS AS DESCRIBED IN GS-22-008.
- PACKAGING MEETS GS-14-920 LEAD FREE LABELING SPECIFICATION.
- FOR REMOVAL OF THE PROTECTIVE CAP BY HAND GRIP USING THESE SURFACES.
- FOR REMOVAL OF THE PROTECTIVE CAP WITH PLIERS GRIP USING THIS FEATURE.
- SHORT DETECTION PIN IS 0.5mm LESS WIPE NOMINLA THAN THE SHORTEST PIN .
- A SYMBOL WILL BE NEXT TO ANY DIMENSION, VIEW, OR NOTE THAT HAS BEEN MODIFIED WITH THE CURRENT DRAWING REVISION.



10122770-1*1LF WITHOUT PROTECTIVE COVER



spec ref	-	dr	Sander Soe	2012/09/12	projection	MM	size	A2	scale	5:1
tolerance std	ASME Y14.5	eng	Tao Zhan	2014/10/23			ecn no	ELX-DG-18510-1		
		chr	-	appr			Collins Lu	2014/10/23	product family	AIRMAX VS
surface	✓	linear	0.X	±0.3			title	AIRMAX VS2 VERTICAL HEADER		
			0.XX	±0.10	www.fci.com		4	PAIR 120 POS 2MM 10 COL		
		angular	0°	±2°	cat. no.	-	Product - Customer Drw	sheet 4 of 4	rev	C