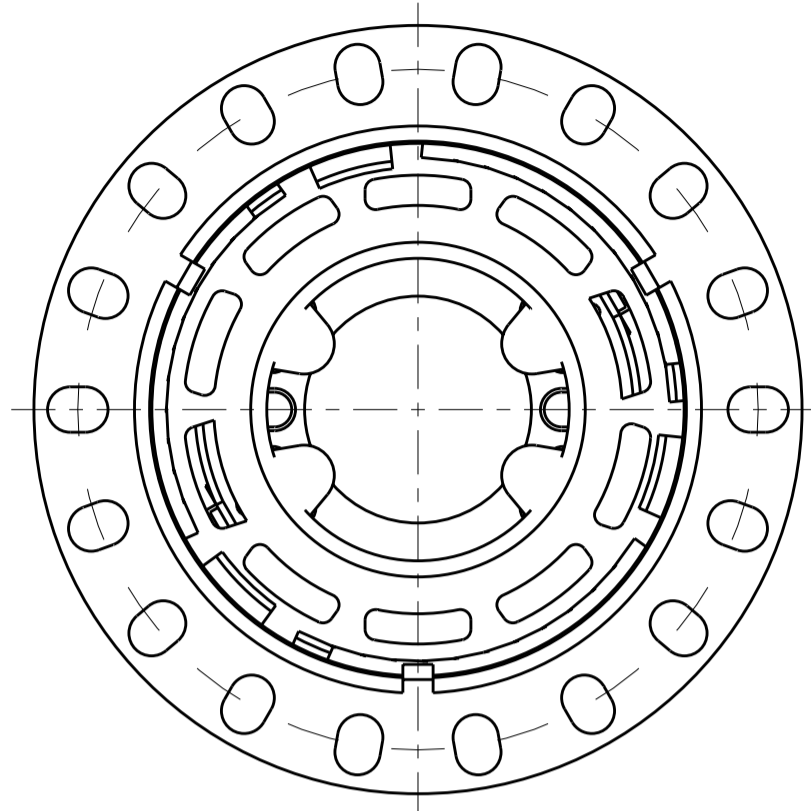
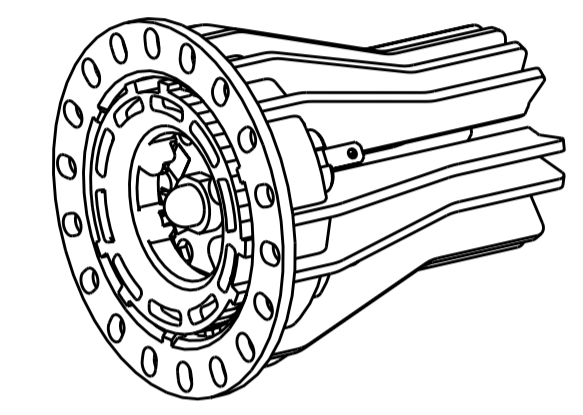


THIS DRAWING IS UNPUBLISHED. RELEASED FOR PUBLICATION 20  
 © COPYRIGHT 20 BY TYCO ELECTRONICS CORPORATION. ALL RIGHTS RESERVED.

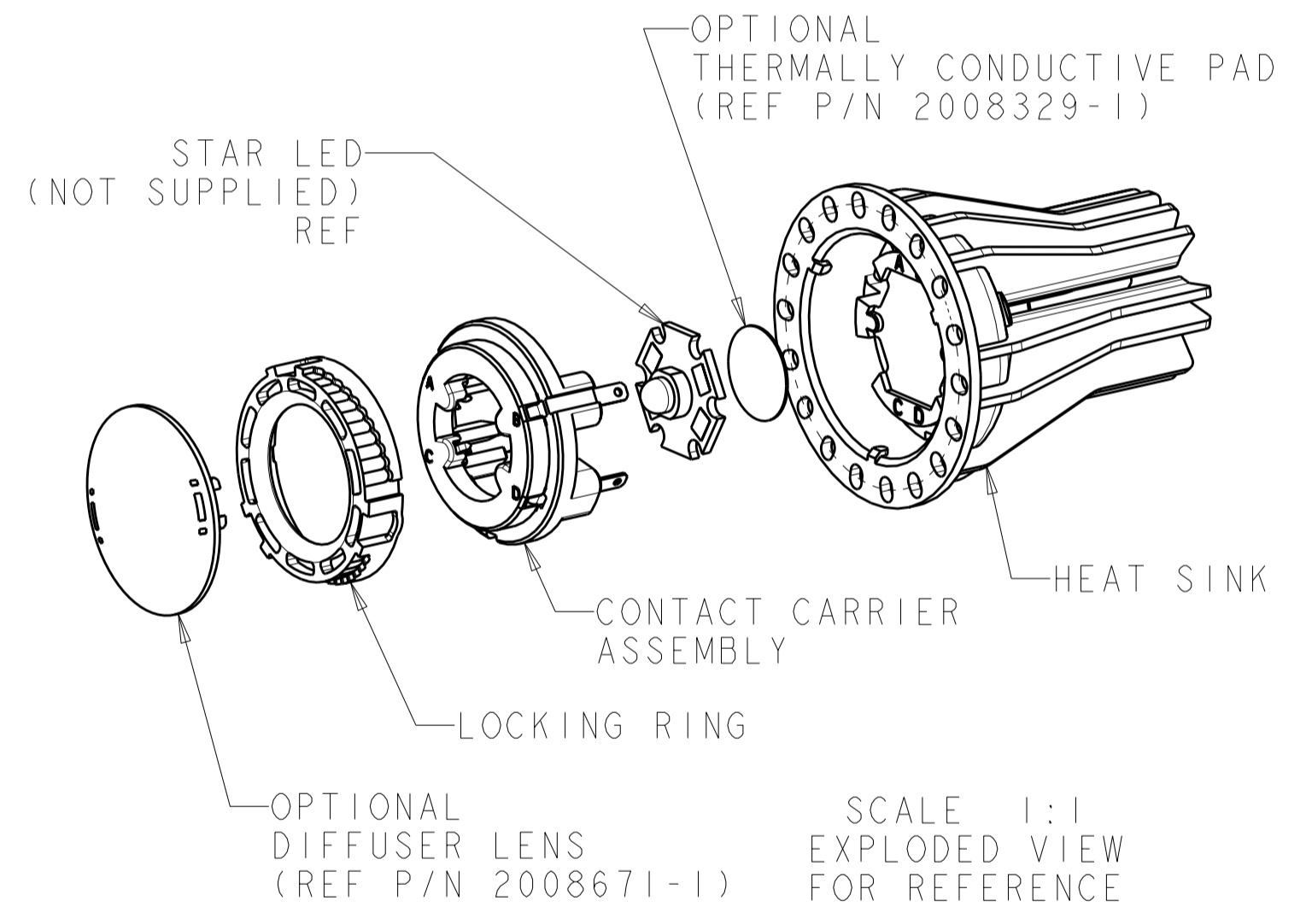
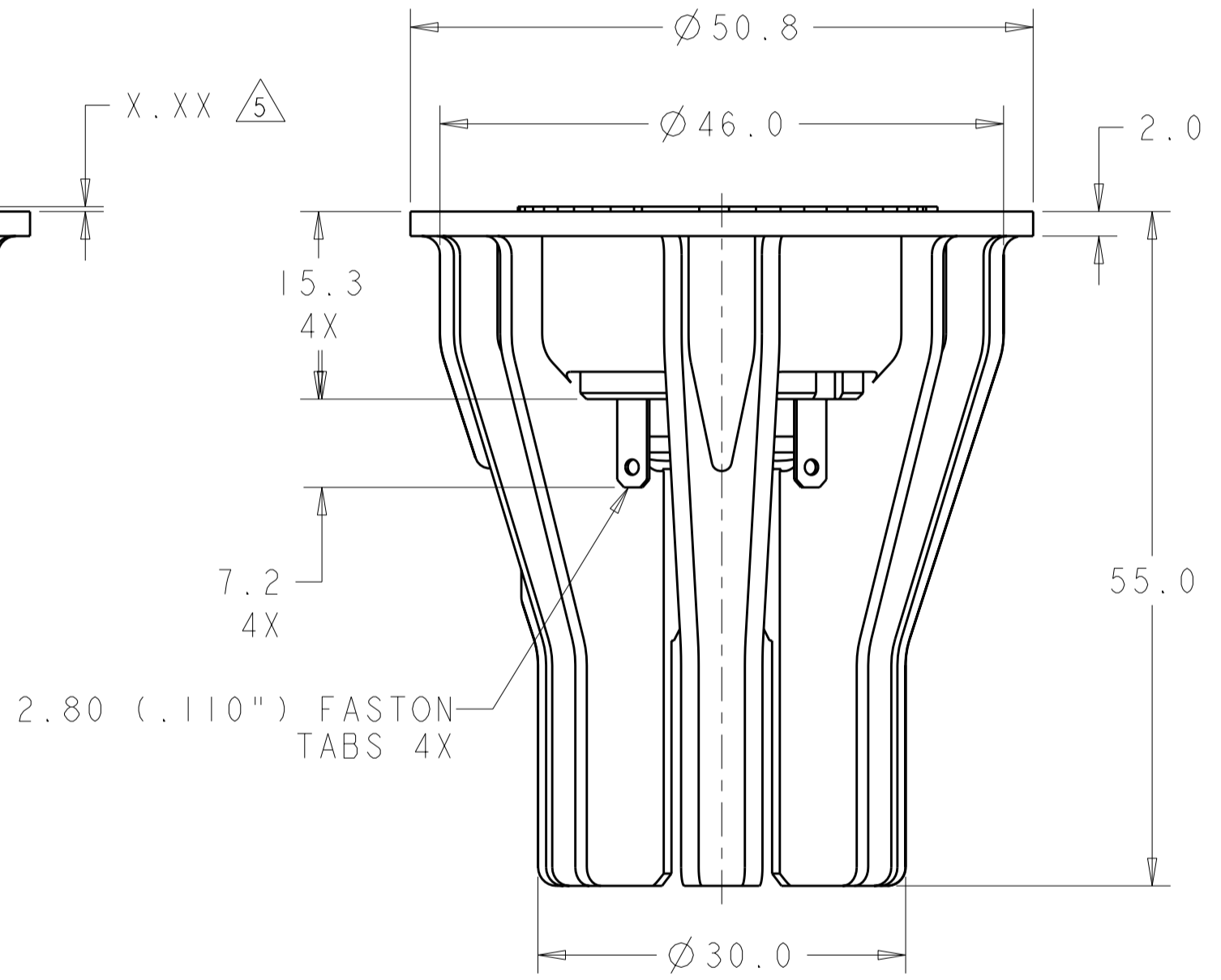
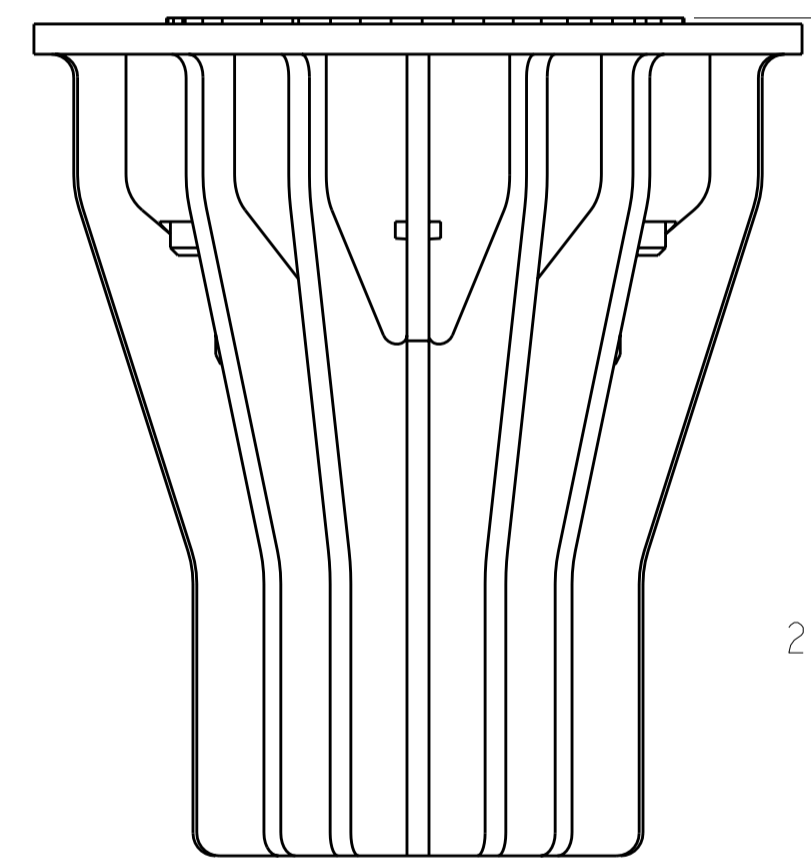
REVISIONS					
P	LTR	DESCRIPTION	DATE	DWN	APVD
1		PROPOSED	19NOV2007	CD	CG
2		ADDED -2 WITH LENS	18DEC2007	CD	CG
3		ADDED -3 AND -4 WITH THERM. COND. PAD	12MAY2008	RB	CG
4		REMOVED -2 THRU -4 P/Ns	27JUN2008	RB	CG



- 1 CONTACT CARRIER AND LOCKING RING COMES UNASSEMBLED
- 2 MATERIALS AND FINISH:  
 -CONTACT CARRIER: PBT  
 -LOCKING RING: PBT  
 -CONTACTS: COPPER ALLOY, FINISH: TIN  
 -HEAT SINK: CAST ALUMINUM
- 3. MUST COMPLY WITH DIRECTIVE 2002/95/EC (ROHS)
- 4. THIS PRODUCT HAS NOT COMPLETED VALIDATION TESTING
- 5 THIS DIMENSION IS DEPENDANT ON STAR BOARD/THERMAL PAD THICKNESS RANGE



SCALE 1:1  
ISOMETRIC VIEW  
FOR REFERENCE



SCALE 1:1  
EXPLODED VIEW  
FOR REFERENCE

TYCO ELECTRONICS  
 CONFIDENTIAL  
 AND PROPRIETARY  
 PROPOSED DESIGN  
 NOT PRODUCTION TOOLED  
 DESIGN IS SUBJECT TO  
 CHANGE WITHOUT NOTICE

THIS DRAWING IS A CONTROLLED DOCUMENT FOR TYCO ELECTRONICS CORPORATION. IT IS SUBJECT TO CHANGE AND THE CONTROLLING ENGINEERING ORGANIZATION SHOULD BE CONTACTED FOR THE LATEST REVISION.		DWN C. DAILY 02APR2007	AS SHOWN		2008675-1
		CHK C. GINGRICH 02APR2007	DESCRIPTION		PART NO.
		APVD -	Tyco Electronics		Harrisburg, PA 17105-3608
DIMENSIONS: mm		PRODUCT SPEC -	NAME ASSEMBLY, LED STAR-BOARD HOLDER WITH HEAT SINK LOCKING RING		
TOLERANCES UNLESS OTHERWISE SPECIFIED: 0 PLC ± 1 PLC ±0.2 2 PLC ±0.15 3 PLC ± 4 PLC ± ANGLES ±° FINISH		APPLICATION SPEC -	SIZE A200779	CAGE CODE C-2008675	RESTRICTED TO -
MATERIAL		WEIGHT -	SCALE 2:1 SHEET 1 OF 1 REV 4		
		CUSTOMER DRAWING			