

Capacitor contactor, AC-6b 25 kVA_r, / 400 V 1 NO + 2 NC, 50-60 Hz AC
95-130 V DC 3-pole, Size S0 screw terminal

product brand name	SIRIUS
product designation	capacitor contactors
product type designation	3RT26
General technical data	
size of contactor	S0
product extension auxiliary switch	No
insulation voltage	
<ul style="list-style-type: none"> of main circuit with degree of pollution 3 rated value of auxiliary circuit with degree of pollution 3 rated value 	690 V 690 V
surge voltage resistance	
<ul style="list-style-type: none"> of main circuit rated value of auxiliary circuit rated value 	6 kV 6 kV
maximum permissible voltage for safe isolation between coil and main contacts according to EN 60947-1	400 V
shock resistance at rectangular impulse	
<ul style="list-style-type: none"> at AC at DC 	8,3g / 5 ms, 5,3g / 10 ms 10g / 5 ms, 7,5g / 10 ms
shock resistance with sine pulse	
<ul style="list-style-type: none"> at AC at DC 	13,5g / 5 ms, 8,3g / 10 ms 15g / 5 ms, 10g / 10 ms
mechanical service life (switching cycles)	
<ul style="list-style-type: none"> of the contactor with added auxiliary switch block typical 	3 000 000
electrical endurance (switching cycles)	200 000
reference code according to IEC 81346-2	Q
Substance Prohibitance (Date)	05/01/2014
Ambient conditions	
installation altitude at height above sea level maximum	2 000 m
ambient temperature	
<ul style="list-style-type: none"> during operation during storage 	-25 ... +60 °C -55 ... +80 °C
relative humidity minimum	10 %
relative humidity at 55 °C according to IEC 60068-2-30 maximum	95 %
Main circuit	
number of NO contacts for main contacts	3
number of NC contacts for main contacts	0
operational current at AC-6b at 690 V at ambient temperature 60 °C rated value	36 A

operating reactive power at AC-6b	
<ul style="list-style-type: none"> at 230 V at 50/60 Hz at ambient temperature 60 °C rated value 	5 ... 14 kvar
<ul style="list-style-type: none"> at 400 V at 50/60 Hz at ambient temperature 60 °C rated value 	8 ... 25 kvar
<ul style="list-style-type: none"> at 500 V at 50/60 Hz at ambient temperature 60 °C rated value 	10 ... 31 kvar
<ul style="list-style-type: none"> at 690 V at 50/60 Hz at ambient temperature 60 °C rated value 	14 ... 43 kvar
no-load switching frequency	
<ul style="list-style-type: none"> at AC 	500 1/h
<ul style="list-style-type: none"> at DC 	500 1/h
operating frequency at AC-6b	
<ul style="list-style-type: none"> at 230 V maximum 	100 1/h
<ul style="list-style-type: none"> at 240 V maximum 	100 1/h
<ul style="list-style-type: none"> at 400 V maximum 	100 1/h
<ul style="list-style-type: none"> at 480 V maximum 	100 1/h
<ul style="list-style-type: none"> at 500 V maximum 	100 1/h
<ul style="list-style-type: none"> at 600 V maximum 	100 1/h
<ul style="list-style-type: none"> at 690 V maximum 	72 1/h
Control circuit/ Control	
type of voltage	AC/DC
type of voltage of the control supply voltage	AC/DC
control supply voltage at AC	
<ul style="list-style-type: none"> at 50 Hz rated value 	95 ... 130 V
<ul style="list-style-type: none"> at 60 Hz rated value 	95 ... 130 V
control supply voltage frequency	
<ul style="list-style-type: none"> 1 rated value 	50 Hz
<ul style="list-style-type: none"> 2 rated value 	60 Hz
control supply voltage at DC	
<ul style="list-style-type: none"> rated value 	95 ... 130 V
operating range factor control supply voltage rated value of magnet coil at DC	
<ul style="list-style-type: none"> initial value 	0.7
<ul style="list-style-type: none"> full-scale value 	1.3
operating range factor control supply voltage rated value of magnet coil at AC	
<ul style="list-style-type: none"> at 50 Hz 	0.7 ... 1.3
<ul style="list-style-type: none"> at 60 Hz 	0.7 ... 1.3
inrush current peak	15 A
duration of inrush current peak	30 µs
locked-rotor current mean value	0.13 A
locked-rotor current peak	0.19 A
duration of locked-rotor current	180 ms
holding current mean value	19 mA
apparent pick-up power of magnet coil at AC	12 VA
inductive power factor with closing power of the coil	0.98
apparent holding power of magnet coil at AC	1.8 VA
inductive power factor with the holding power of the coil	0.79
closing power of magnet coil at DC	10.2 W
holding power of magnet coil at DC	1.3 W
closing delay	
<ul style="list-style-type: none"> at AC 	50 ... 70 ms
<ul style="list-style-type: none"> at DC 	50 ... 70 ms
opening delay	
<ul style="list-style-type: none"> at AC 	30 ... 50 ms
<ul style="list-style-type: none"> at DC 	30 ... 50 ms
arcing time	10 ... 10 ms
control version of the switch operating mechanism	Standard A1 - A2
residual current of the electronics for control with signal <0>	

<ul style="list-style-type: none"> at AC at 230 V maximum permissible 	7 mA
Auxiliary circuit	
number of NC contacts for auxiliary contacts	2
<ul style="list-style-type: none"> attachable 	0
<ul style="list-style-type: none"> instantaneous contact 	2
number of NO contacts for auxiliary contacts	1
<ul style="list-style-type: none"> attachable 	0
<ul style="list-style-type: none"> instantaneous contact 	1
operational current of auxiliary contacts at AC-12 maximum	10 A
operational current of auxiliary contacts at AC-15	
<ul style="list-style-type: none"> at 230 V 	6 A
<ul style="list-style-type: none"> at 400 V 	3 A
operational current of auxiliary contacts at DC-13	
<ul style="list-style-type: none"> at 24 V 	6 A
<ul style="list-style-type: none"> at 60 V 	2 A
<ul style="list-style-type: none"> at 110 V 	1 A
<ul style="list-style-type: none"> at 125 V 	0.9 A
<ul style="list-style-type: none"> at 220 V 	0.3 A
contact reliability of auxiliary contacts	0.00000001
UL/CSA ratings	
contact rating of auxiliary contacts according to UL	A600 / Q600
Short-circuit protection	
design of the fuse link	
<ul style="list-style-type: none"> for short-circuit protection of the main circuit with type of coordination 1 required 	gG: 80 A (690 V, 50 kA)
<ul style="list-style-type: none"> for short-circuit protection of the auxiliary switch required 	gG: 10 A (500 V, 1 kA)
Installation/ mounting/ dimensions	
mounting position	+/-180° rotation possible on vertical mounting surface; can be tilted forward and backward by +/- 22.5° on vertical mounting surface
fastening method	screw and snap-on mounting onto 35 mm standard mounting rail according to DIN EN 50022
height	135 mm
width	45 mm
depth	165 mm
required spacing	
<ul style="list-style-type: none"> with side-by-side mounting at the side 	10 mm
<ul style="list-style-type: none"> for grounded parts at the side 	10 mm
Connections/ Terminals	
type of electrical connection	
<ul style="list-style-type: none"> for main current circuit 	screw-type terminals
<ul style="list-style-type: none"> for auxiliary and control circuit 	screw-type terminals
<ul style="list-style-type: none"> at contactor for auxiliary contacts 	Screw-type terminals
<ul style="list-style-type: none"> of magnet coil 	Screw-type terminals
type of connectable conductor cross-sections	
<ul style="list-style-type: none"> for main contacts 	
<ul style="list-style-type: none"> — solid 	2x (1 ... 2.5 mm ²), 2x (2.5 ... 10 mm ²)
<ul style="list-style-type: none"> — stranded 	2x (1 ... 2.5 mm ²), 2x (2.5 ... 10 mm ²)
<ul style="list-style-type: none"> — solid or stranded 	2x (1 ... 2.5 mm ²), 2x (2.5 ... 10 mm ²)
<ul style="list-style-type: none"> — finely stranded with core end processing 	2x (1 ... 2.5 mm ²), 2x (2.5 ... 6 mm ²), 1x 10 mm ²
<ul style="list-style-type: none"> at AWG cables for main contacts 	2x (16 ... 12), 2x (14 ... 8)
type of connectable conductor cross-sections	
<ul style="list-style-type: none"> for auxiliary contacts 	
<ul style="list-style-type: none"> — solid 	2x (0.5 ... 1.5 mm ²), 2x (0.75 ... 2.5 mm ²), 2x 4 mm ²
<ul style="list-style-type: none"> — solid or stranded 	2x (0.5 ... 1.5 mm ²), 2x (0.75 ... 2.5 mm ²), 2x 4 mm ²
<ul style="list-style-type: none"> — finely stranded with core end processing 	2x (0.5 ... 1.5 mm ²), 2x (0.75 ... 2.5 mm ²)
<ul style="list-style-type: none"> at AWG cables for auxiliary contacts 	2x (20 ... 16), 2x (18 ... 14), 2x 12
type of minimum connectable cross-section for main contacts at AC-6b	
<ul style="list-style-type: none"> at 40 °C 	1x 10 mm ²

• at 60 °C	2x 10 mm ²
AWG number as coded connectable conductor cross section for main contacts	16 ... 8
Safety related data	
product function	
• mirror contact according to IEC 60947-4-1	No
• positively driven operation according to IEC 60947-5-1	No
protection class IP on the front according to IEC 60529	IP20
touch protection on the front according to IEC 60529	finger-safe, for vertical contact from the front

Certificates/ approvals

General Product Approval	EMC
---------------------------------	------------



[Confirmation](#)



Declaration of Conformity	Test Certificates	Marine / Shipping	other
----------------------------------	--------------------------	--------------------------	--------------



[Type Test Certificates/Test Report](#)



[Confirmation](#)

other	Dangerous Good
--------------	-----------------------



[Transport Information](#)

Further information

Information- and Downloadcenter (Catalogs, Brochures,...)

<https://www.siemens.com/ic10>

Industry Mall (Online ordering system)

<https://mall.industry.siemens.com/mall/en/en/Catalog/product?mlfb=3RT2627-1NF35>

Cax online generator

<http://support.automation.siemens.com/WW/CAXorder/default.aspx?lang=en&mlfb=3RT2627-1NF35>

Service&Support (Manuals, Certificates, Characteristics, FAQs,...)

<https://support.industry.siemens.com/cs/ww/en/ps/3RT2627-1NF35>

Image database (product images, 2D dimension drawings, 3D models, device circuit diagrams, EPLAN macros, ...)

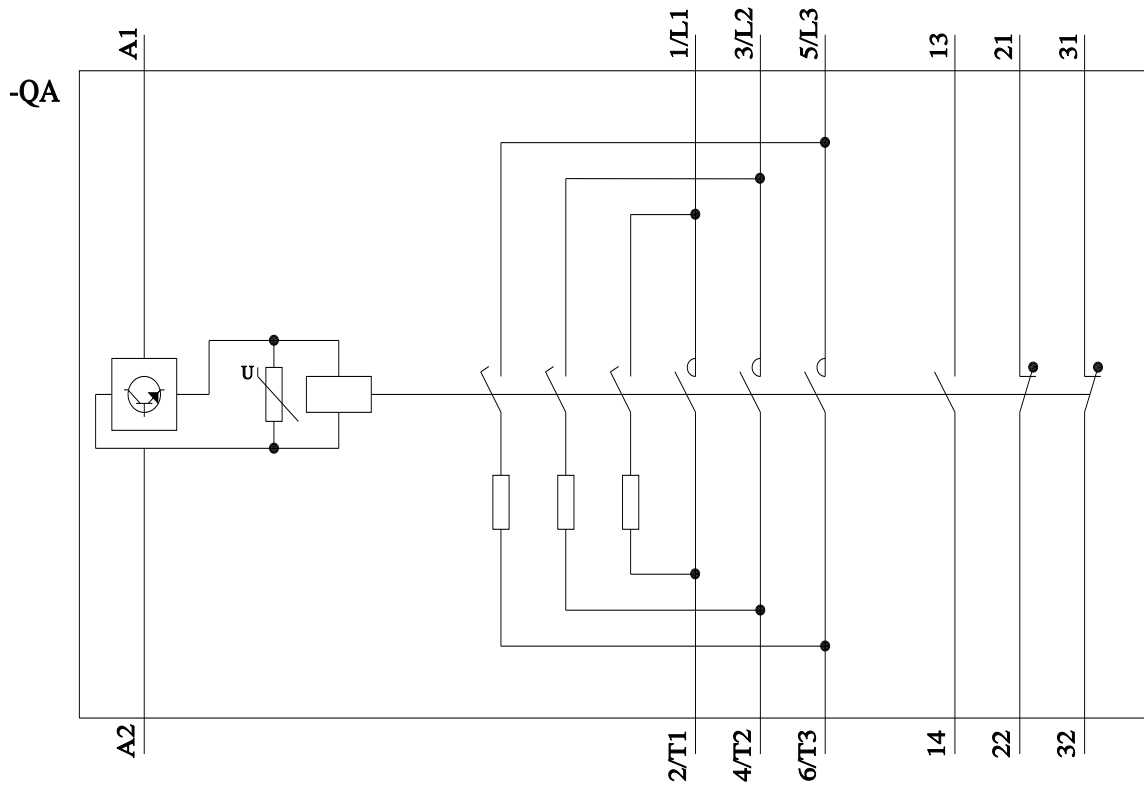
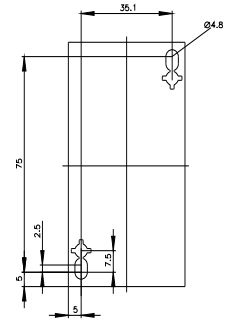
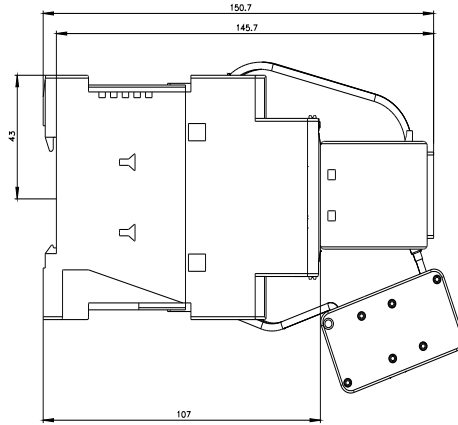
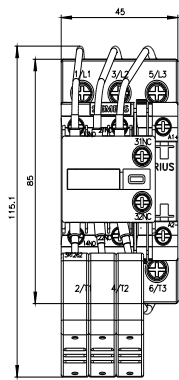
http://www.automation.siemens.com/bilddb/cax_de.aspx?mlfb=3RT2627-1NF35&lang=en

Characteristic: Tripping characteristics, I_t, Let-through current

<https://support.industry.siemens.com/cs/ww/en/ps/3RT2627-1NF35/char>

Further characteristics (e.g. electrical endurance, switching frequency)

<http://www.automation.siemens.com/bilddb/index.aspx?view=Search&mlfb=3RT2627-1NF35&objecttype=14&gridview=view1>



last modified:

12/8/2021