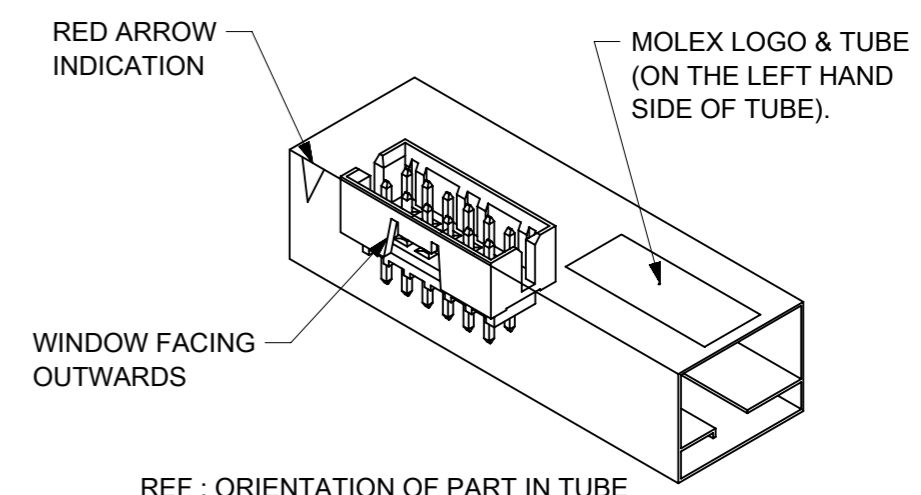
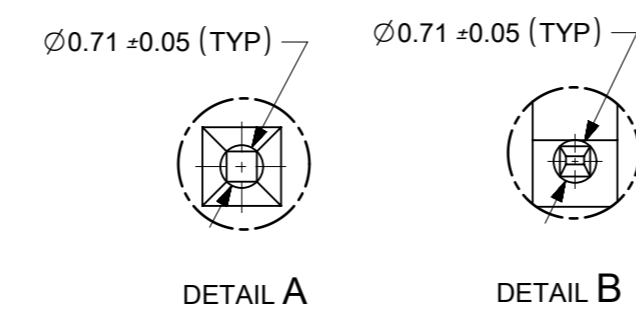
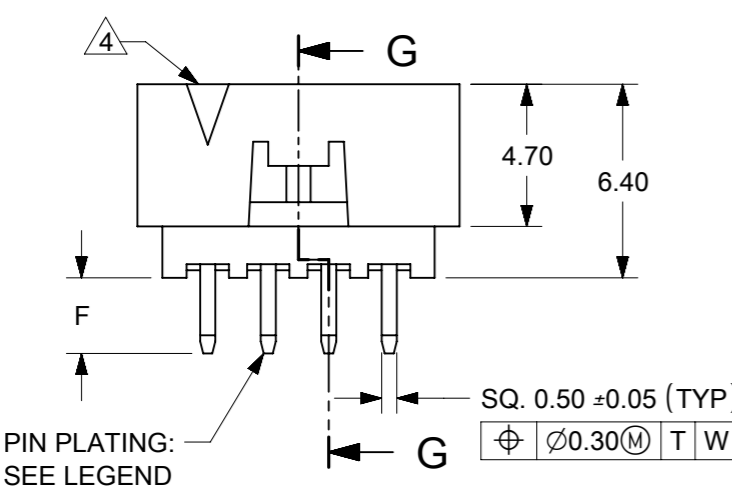


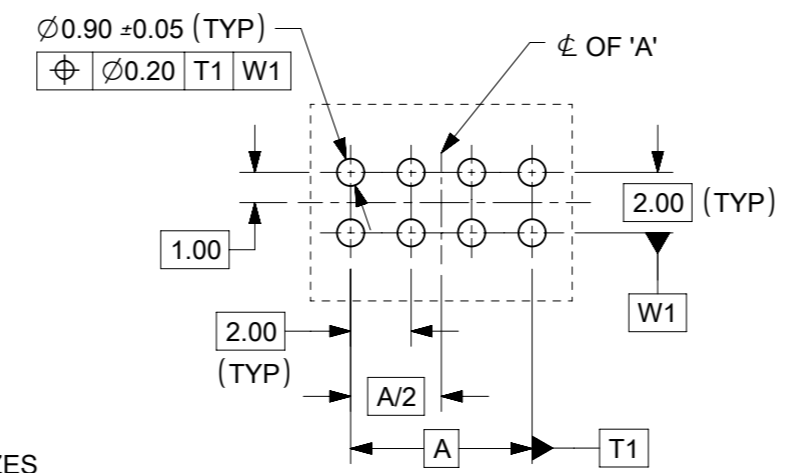
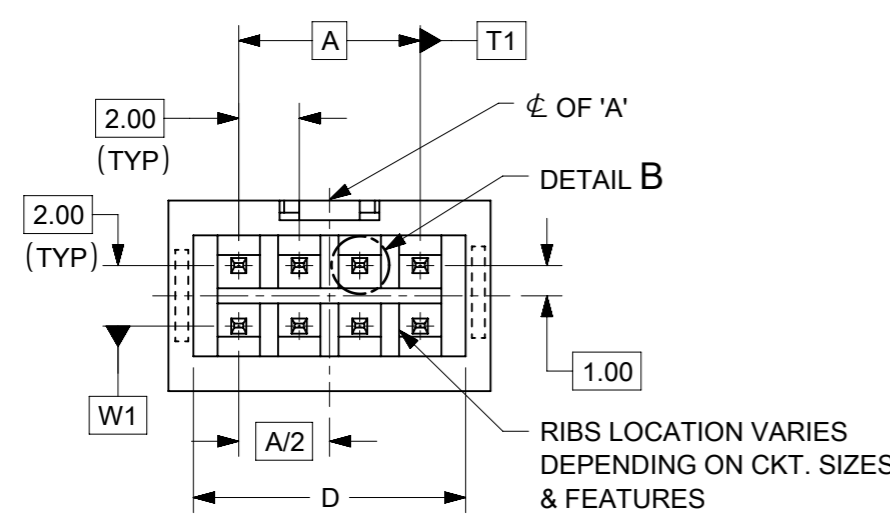
P/N IN TUBE	CKT SIZE	VOID PIN	DIMENSION					
			A	B	C	D	E	F
87831-7242	10	3	8.00	10.85	12.65	11.00	4.00	2.50
87831-53**	12	1	10.00	12.85	14.65	13.00	5.00	2.50
87831-56**	12	10	10.00	12.85	14.65	13.00	5.00	2.50



REF : ORIENTATION OF PART IN TUBE  
(FOR THE REFERENCE OF PART/TUBE ASSEMBLY)



- NOTES:**
- FOR ILLUSTRATION PURPOSES, 8 CIRCUIT SIZE WAFER IS SHOWN.
  - MATERIAL :  
HOUSING : GLASS-FILLED, NYLON, UL94V-0, COLOR BLACK.  
PIN : 0.50mm SQ. PHOSPHOR BRONZE.
  - PRODUCT SPECIFICATION PS-87831-027 APPLIES.
  - CKT 4 & 6 HAS NO IDENTIFICATION TAG.
  - THIS HEADER MATES WITH MOLEX :  
a) CRIMP RECEPTACLE HOUSING, 51110 SERIES WITH CRIMP TERMINAL, 50394 SERIES.  
b) 2mm MILLIGRID DUAL ROW IDT, 87568 SERIES.
  - PARTS TO BE PACKED IN TUBE WITH MOISTURE BARRIER BAG.
  - NO CENTRE POLARIZATION SLOT FOR CKT SIZE 4 AND 6.
  - PACKAGING SPECIFICATION :  
FOR TUBE : PK-87831-001



**PART NUMBER LEGEND :**

87831 - \* \* \* \*  
CIRCUIT SIZE  
(SEE TABLE)

**PLATING OPTIONS**

OPTION 1	41 - 0.38µm/15µin GOLD IN CONTACT AREA AND 1.88µm/75µin MIN. TIN IN SOLDER TAIL AREA OVER 1.27µm/50µin MIN. NICKEL OVERALL.
OPTION 2	42 - 0.76µm/30µin GOLD IN CONTACT AREA AND 1.88µm/75µin MIN. TIN IN SOLDER TAIL AREA OVER 1.27µm/50µin MIN. NICKEL OVERALL.

THIS DRAWING CONTAINS INFORMATION THAT IS PROPRIETARY TO MOLEX ELECTRONIC TECHNOLOGIES, LLC AND SHOULD NOT BE USED WITHOUT WRITTEN PERMISSION

ADDED BTB DIST.	GENERAL TOLERANCES (UNLESS SPECIFIED)	DIMENSION UNITS		SCALE		molex®	
		MM	INCH	MM	NTS		
2019/05/15 2019/07/09 2019/07/09	4 PLACES ±	±	±	DRWN BY	DATE	MGRID, SHROUDED HEADER VERTICAL, W/LOCK FEATURE	
	3 PLACES ±	±	±	ATSEE	2003/10/03		
	2 PLACES ± 0.2	±	±	CHK'D BY	DATE		
	1 PLACES ±	±	±	KCLING	2003/11/07		
	0 PLACES ±	±	±	APPR BY	DATE		
EC NO: 619055 DRWN: HK02 CHK'D: NMANE02 REV APPR: MRAMAKRISHNA	ANGULAR TOL = 3.0	DRAFT WHERE APPLICABLE MUST REMAIN WITHIN DIMENSIONS		SKTOH	2003/11/07	PRODUCT CUSTOMER DRAWING	
	DRAWING SIZE		THIRD ANGLE PROJECTION		SERIES		MATERIAL NUMBER
B8	A3				87831	SEE TABLE	GENERAL MARKET
	DOCUMENT NUMBER			DOC TYPE	DOC PART	SHEET NUMBER	
SD-87831-012			PSD	001	1 OF 2		

# BOARD TO BOARD (BTB) DISTANCE

HEADER	MATES WITH (RECEPTACLE)	BTB DIST.	PICTORIAL VIEW
87831	79107	6.94	
	78787	6.94	
	79108	6.94	
	79109	7.15	
	78788	7.15	

THIS DRAWING CONTAINS INFORMATION THAT IS PROPRIETARY TO MOLEX ELECTRONIC TECHNOLOGIES, LLC AND SHOULD NOT BE USED WITHOUT WRITTEN PERMISSION												
DIMENSION UNITS		SCALE		CURRENT REV DESC: ADDED BTB DIST.						<b>molex</b>		
mm		NTS										
GENERAL TOLERANCES (UNLESS SPECIFIED)				EC NO: 619055		2019/05/15		MGRID, SHROUDED HEADER VERTICAL, W/LOCK FEATURE				
4 PLACES		±		DRWN: HK02		2019/07/09						
3 PLACES		±		CHK'D: NMANE02		2019/07/09		PRODUCT CUSTOMER DRAWING				
2 PLACES		± 0.2		APPR: MRAMAKRISHNA		2019/07/09						
1 PLACE		±		INITIAL REVISION:				DOCUMENT NUMBER		DOC TYPE	DOC PART	REVISION
0 PLACES		±		DRWN: DRWN BY		XXXX/XX/XX		SD-87831-012		PSD	001	B8
ANGULAR TOL		± 3.0°		APPR: APPR BY		XXXX/XX/XX		MATERIAL NUMBER		CUSTOMER		SHEET NUMBER
DRAFT WHERE APPLICABLE MUST REMAIN WITHIN DIMENSIONS				THIRD ANGLE PROJECTION		DRAWING		SERIES		GENERAL MARKET		2 OF 2
						A3-SIZE		87831				