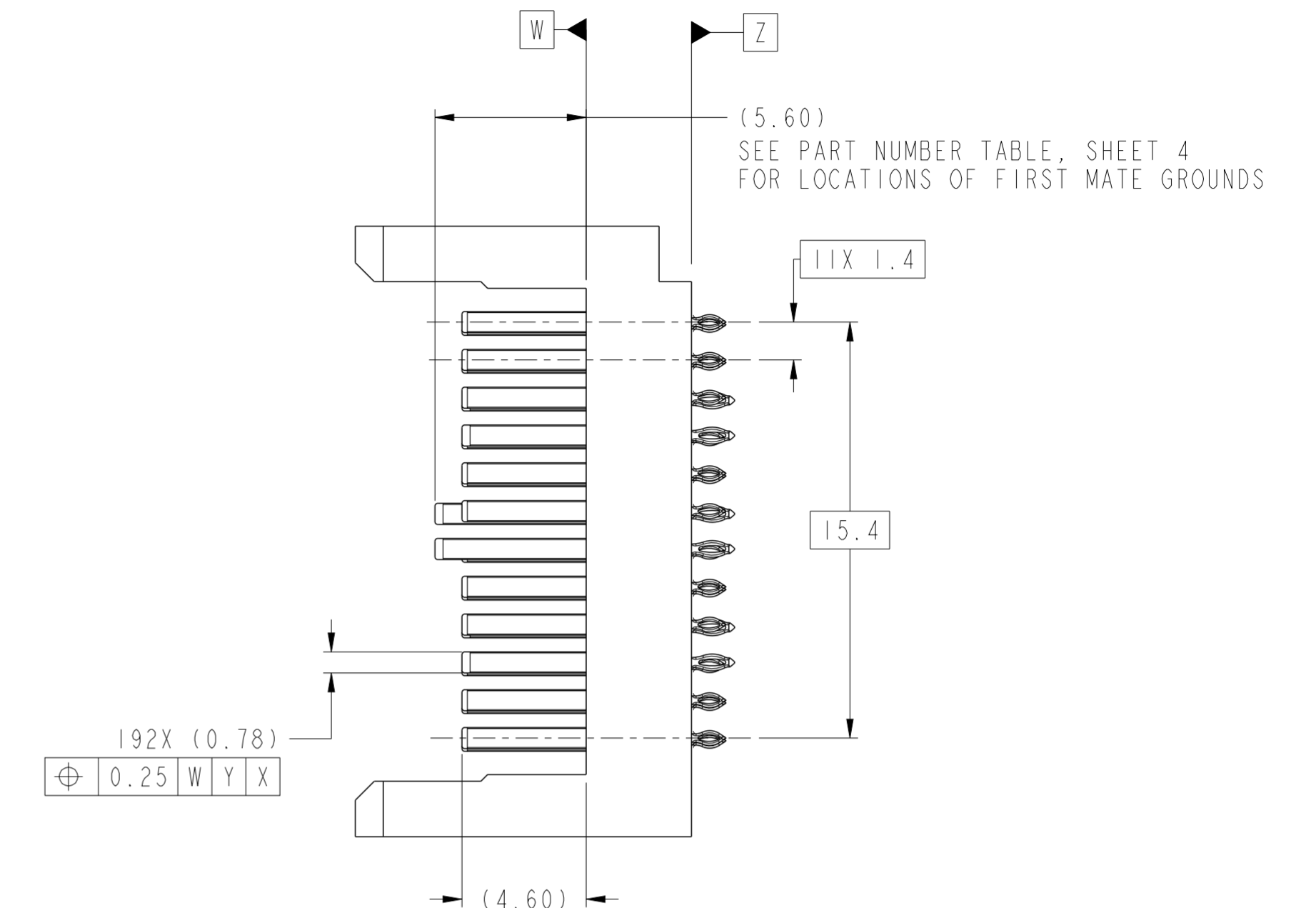
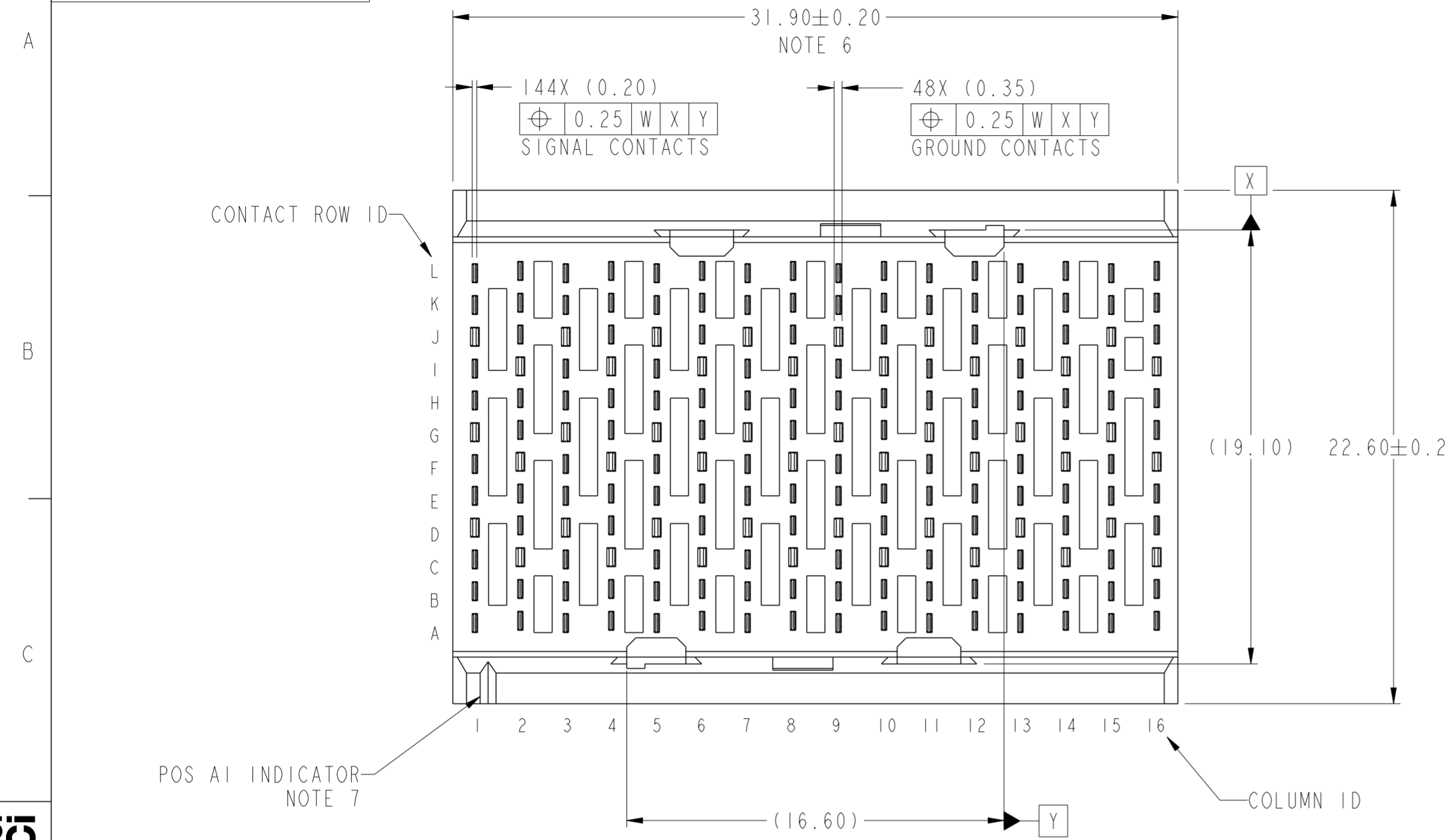
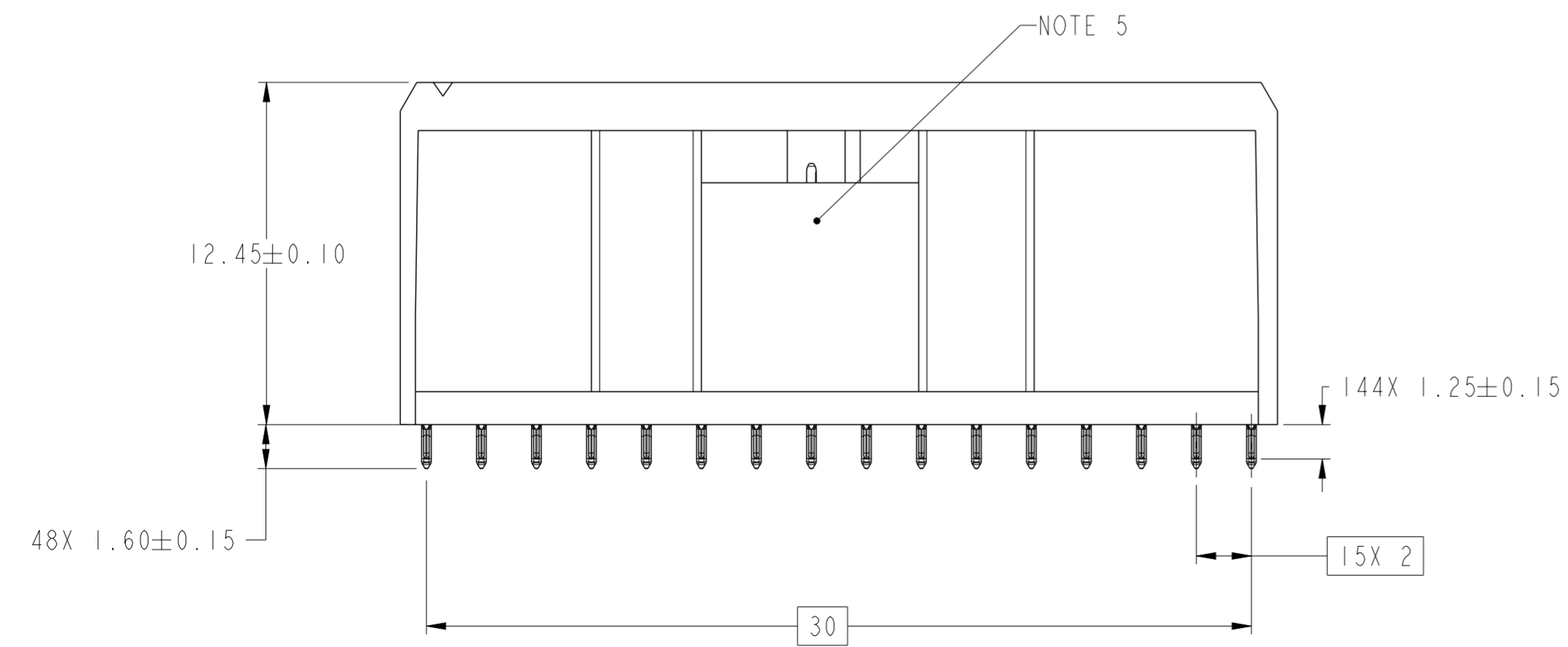


Product number
SEE TABLE, SHT 4



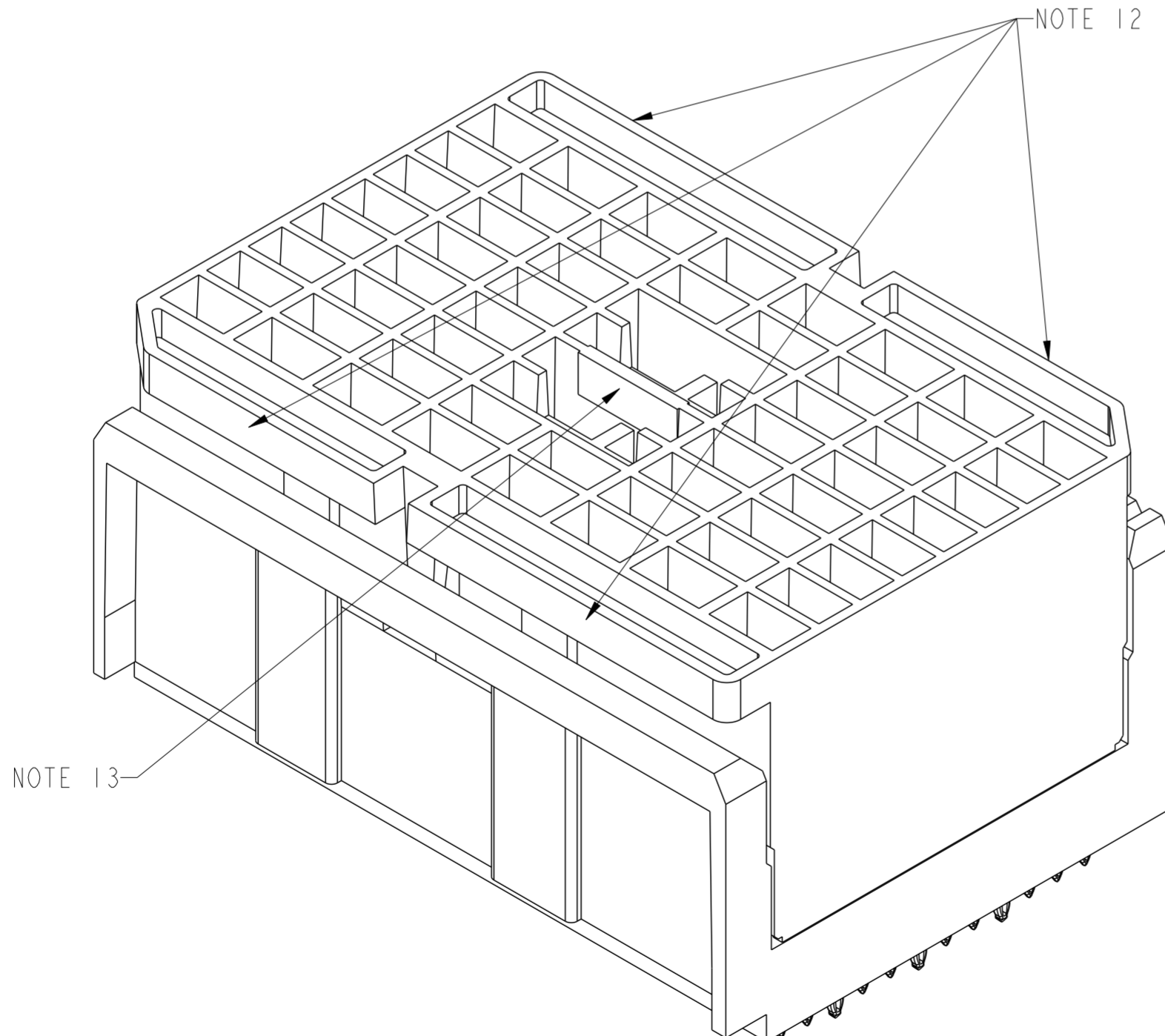
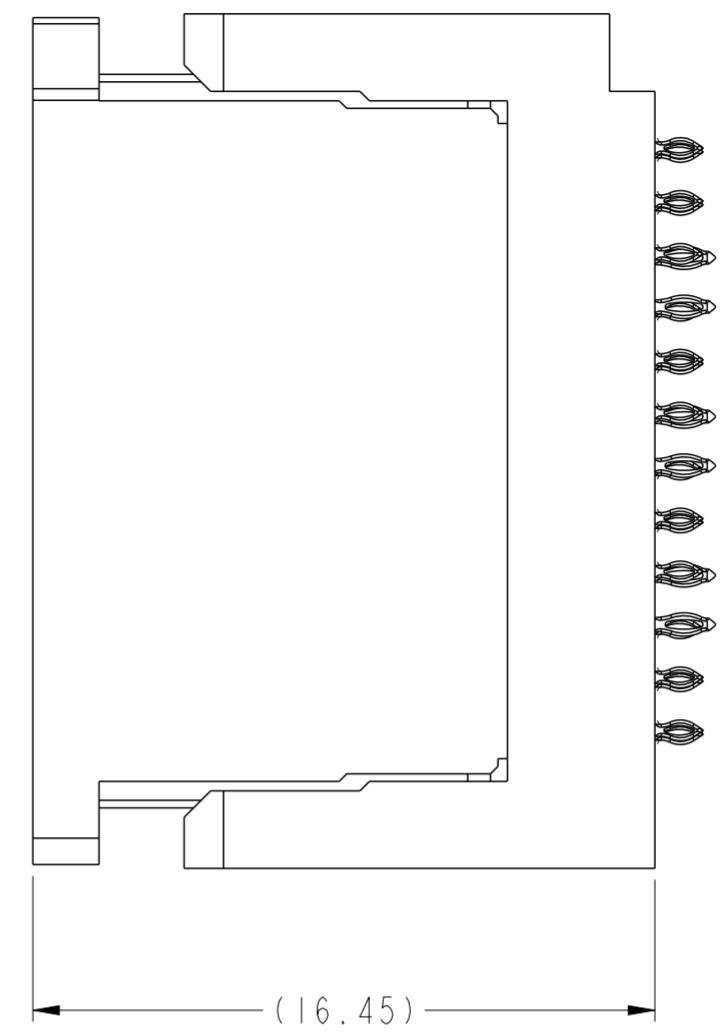
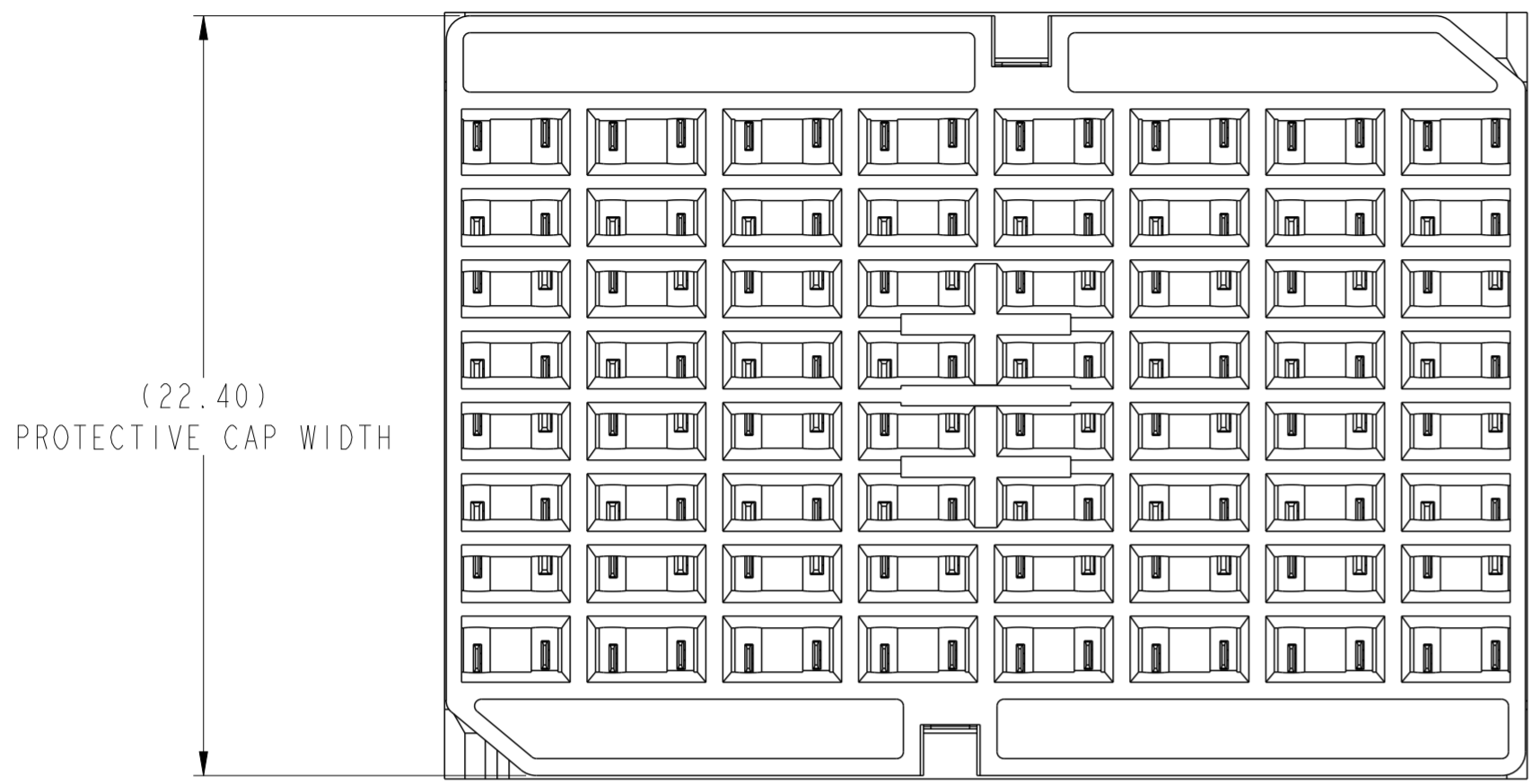
Amphenol FCI



spec ref	-	dr	Mark R Gray	2011/05/23	projection	MM	size	A2	scale	5:1				
tolerance std	ASME Y14.5	eng	Terry Luo	2018/03/01		MM	ecn no	ELX-DG-29418-1	rel level	Released				
TOLERANCES UNLESS OTHERWISE SPECIFIED		chr	Stone Li	2018/03/01										
		appr	Heaven Cen	2018/03/01										
surface	-				product family	AIRMAX VS	title	AIRMAX VSE VERTICAL HEADER		div no	10118260	rev	D	
ASME Y14.5	linear	0.X	±0.3	0.XX	±0.10	0.XXX	±0.050	angular	0°	±2°	cat. no.	-	Product - Customer Special Drw	sheet 1 of 4

1 2 3 4 5 6 7 8

A
B
C
D
E
F



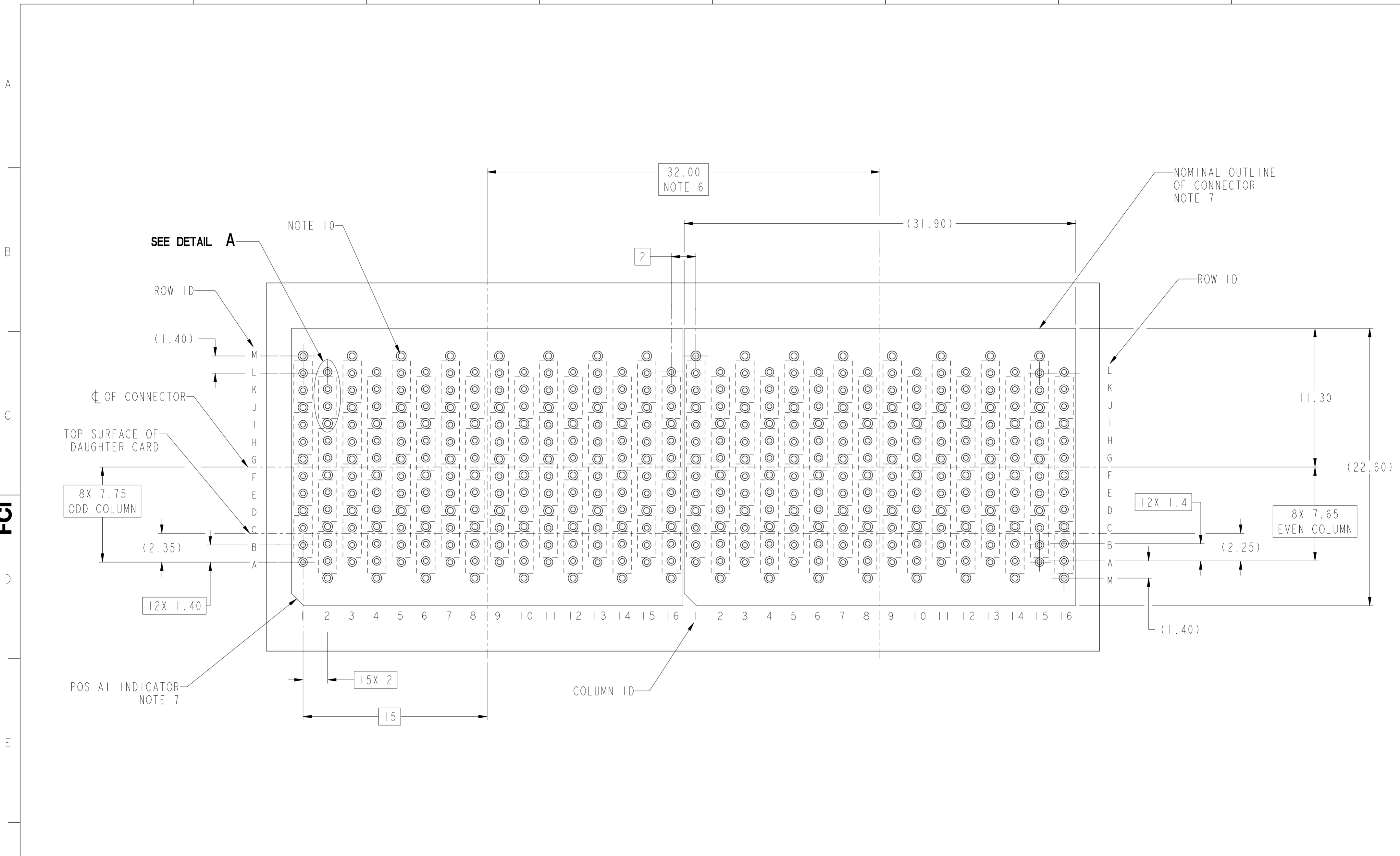
VIEWS SHOWN WITH PROTECTIVE COVER INSTALLED

Amphenol
FCi

© 2016 AFci

spec ref	-	dr	Mark R Gray	2011/05/23	projection	MM	size	A2	scale	5:1	
tolerance std	ASME Y14.5	eng	Terry Luo	2018/03/01			ecn no	ELX-DG-29418-1			
TOLERANCES UNLESS OTHERWISE SPECIFIED		chr	Stone Li	2018/03/01			rel level	Released			
		appr	Heaven Cen	2018/03/01			product family	AIRMAX VS			
surface	-	linear	0.X	±0.3		AIRMAX VSE VERTICAL HEADER SMALL PRESS-FIT, 192 POS, 32 mm	divg no	10118260			
			0.XX	±0.10			rev	D			
		angular	0°	±2°			cat. no.	- Product - Customer Special Drw sheet 2 of 4			

1 2 3 4 5



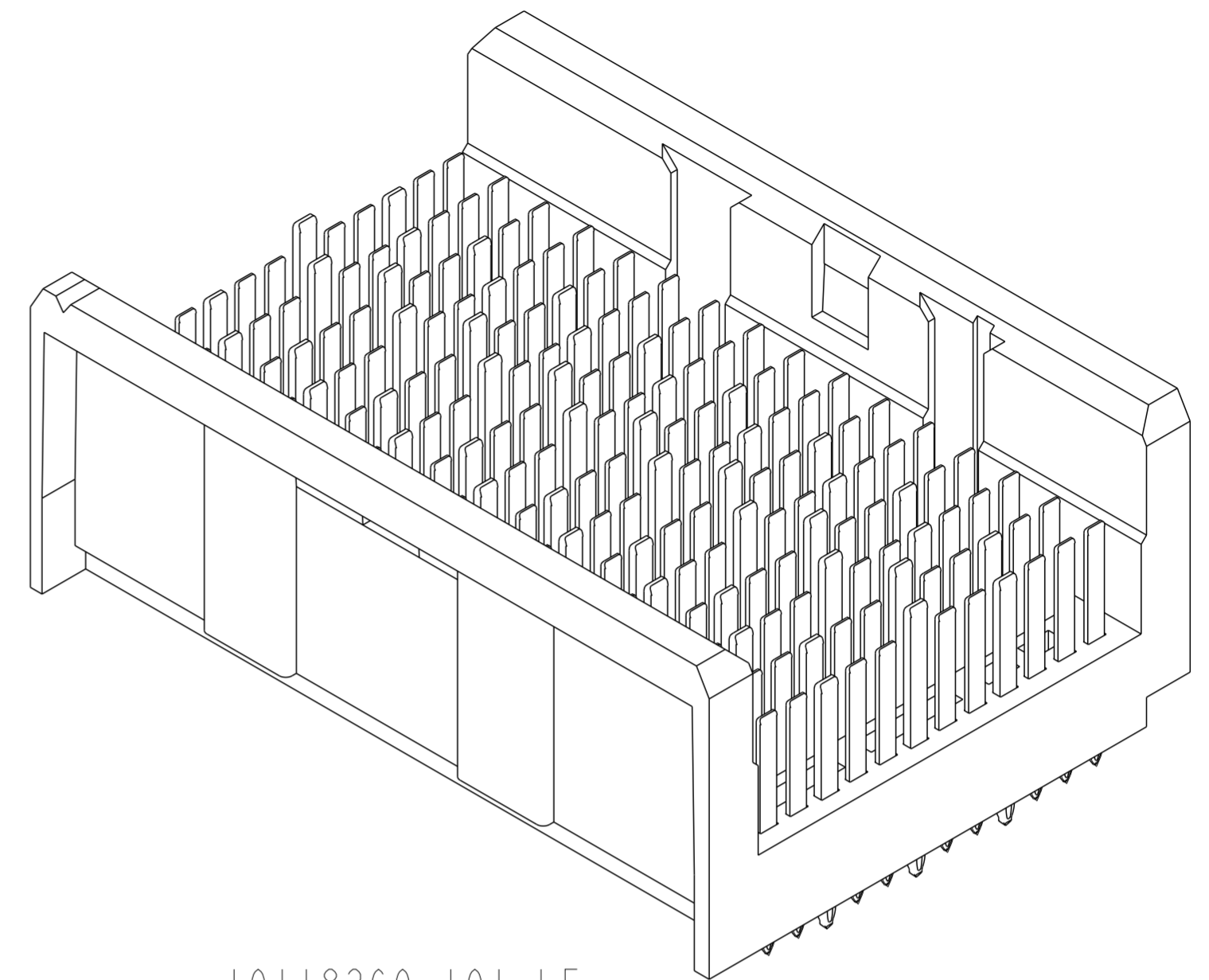
RECOMMENDED PCB LAYOUT
FOR DIFFERENTIAL APPLICATIONS,
COMPONENT SIDE
(TWO ADJACENT FOOTPRINTS SHOWN)
NOTES 6, 8 AND 16

spec ref	-	dr	Mark R Gray	2011/05/23	projection	MM	size	A2	scale	2:1
tolerance std	ASME Y14.5	eng	Terry Luo	2018/03/01			ecn no	ELX-DG-29418-1	rel level	Released
		chr	Stone Li	2018/03/01			product family	AIRMAX VS		
		appr	Heaven Cen	2018/03/01			div no	10118260		rev
surface	-	linear	0.X	±0.3	Amphenol FCI		AIRMAX VSE VERTICAL HEADER SMALL PRESS-FIT, 192 POS, 32 mm		cat. no.	-
ASME Y14.5	✓	angular	0°	±2°	Product - Customer Special Drw		sheet 3 of 4			

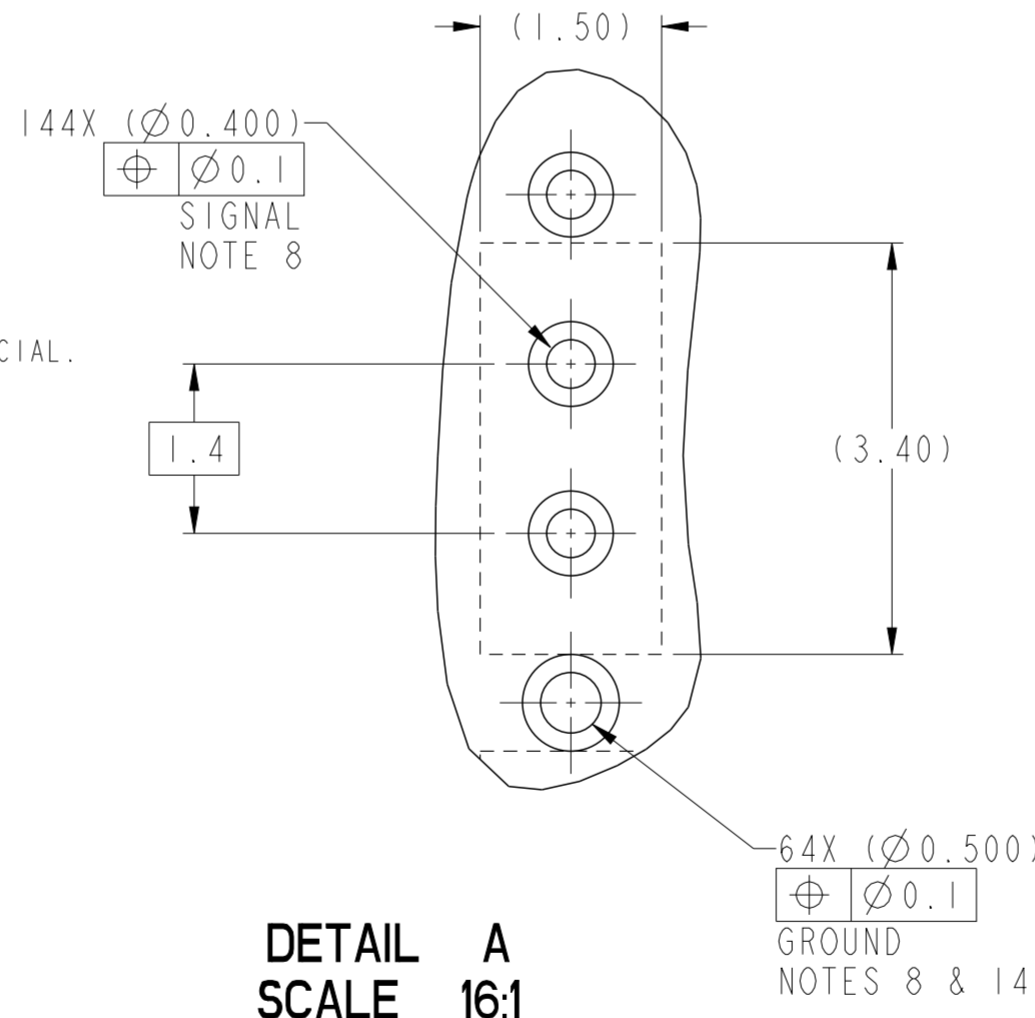
PART NUMBER	PRESS-FIT TAIL PLATING TYPE	PROTECTIVE COVER	FIRST MATE PIN LOCATIONS (5.6mm)
10118260-101LF	TIN OVER NICKEL (LEAD FREE)	YES	F2, F4, F6, F8, F10, F12, F14, F16 G1, G3, G5, G7, G9, G11, G13, G15

NOTES:

1. CONNECTOR MATERIALS:
HOUSING: HIGH TEMP THERMOPLASTIC, BLACK, UL94V-0
CONTACT: COPPER ALLOY
2. CONTACT PLATING:
SEPARABLE INTERFACE: PERFORMANCE-BASED PLATING, QUALIFIED TO MEET THE REQUIREMENTS OF FCI PRODUCT SPECIFICATION GS-12-XXX INCLUDING TELCORDIA GR-1217-CORE (NOVEMBER 1995) CENTRAL OFFICE TEST SEQUENCE
PRESS-FIT TAILS: SEE TABLE
3. PRODUCT SPECIFICATION: GS-12-239.
4. APPLICATION SPECIFICATION: GS-20-035.
5. PRODUCT MARKING, (PROTOTYPE, PART NUMBER & LOT CODE), ON THIS SURFACE.
6. THE MINIMUM CENTERLINE SPACING BETWEEN ADJACENT MODULES IS 32.0 mm.
7. CONNECTOR OUTLINE WITH HOUSING POS A1 INDICATOR MAY BE SCREEN PRINTED ONTO CUSTOMER PCB TO BE USED AS A GUIDE FOR MANUAL CONNECTOR PLACEMENT.
8. REFER TO CUSTOMER DRAWING 10104444 FOR INFORMATION ON PCB HOLE DIAMETERS AND PLATING OPTIONS.
9. THIS PRODUCT MEETS EUROPEAN UNION DIRECTIVES AND OTHER COUNTRY REGULATIONS AS DESCRIBED IN GS-22-008.
10. THE OUTER VIAS IN COLUMN M ARE OPTIONAL. IF ADDED THESE HOLES PROVIDE GROUND SYMMETRY THROUGH THE PCB. NO CONNECTOR PINS WILL BE PRESSED INTO THESE HOLES.
11. PACKAGING MEETS GS-14-920 LEAD FREE LABELING SPECIFICATION.
12. FOR REMOVAL OF THE PROTECTIVE CAP BY HAND GRIP USING THESE SURFACES.
13. FOR REMOVAL OF THE PROTECTIVE CAP WITH PLIERS GRIP USING THIS FEATURE.
14. GROUND VIAS IN POSITIONS C, F, I & M FOR EVEN COLUMNS AND POSITIONS D, G, J & M FOR ODD COLUMNS REQUIRE (Ø0.50) FINISHED HOLES. ALL OTHER VIAS REQUIRE (Ø0.40) FINISHED HOLES.
15. A \triangle SYMBOL WILL BE NEXT TO ANY DIMENSION, VIEW OR NOTE WHICH HAS BEEN MODIFIED WITH THE CURRENT DRAWING REVISION.
16. THIS 4 PAIR 16 COLUMN RECOMMENDED PCB LAYOUT OF THIS PART NUMBER IS FOR CUSTOMER SPECIAL.



10118260-101 LF



DETAIL A
SCALE 16:1

spec ref	-	dr	Mark R Gray	2011/05/23	projection	MM	size	A2	scale	5:1	
tolerance std	ASME Y14.5	eng	Terry Luo	2018/03/01			ecn no	ELX-DG-29418-1			
TOLERANCES UNLESS OTHERWISE SPECIFIED		chr	Stone Li	2018/03/01			rel level	Released			
surface	-	appr	Heaven Cen	2018/03/01			product family	AIRMAX VS			
linear	0.X ±0.3 0.XX ±0.10 0.XXX ±0.050	Amphenol FCI		title	AIRMAX VSE VERTICAL HEADER		dwg no	10118260			
angular	0° ±2°	SMALL PRESS-FIT, 192 POS, 32 mm		cat. no.	-		Product - Customer Special	sheet 4 of 4			