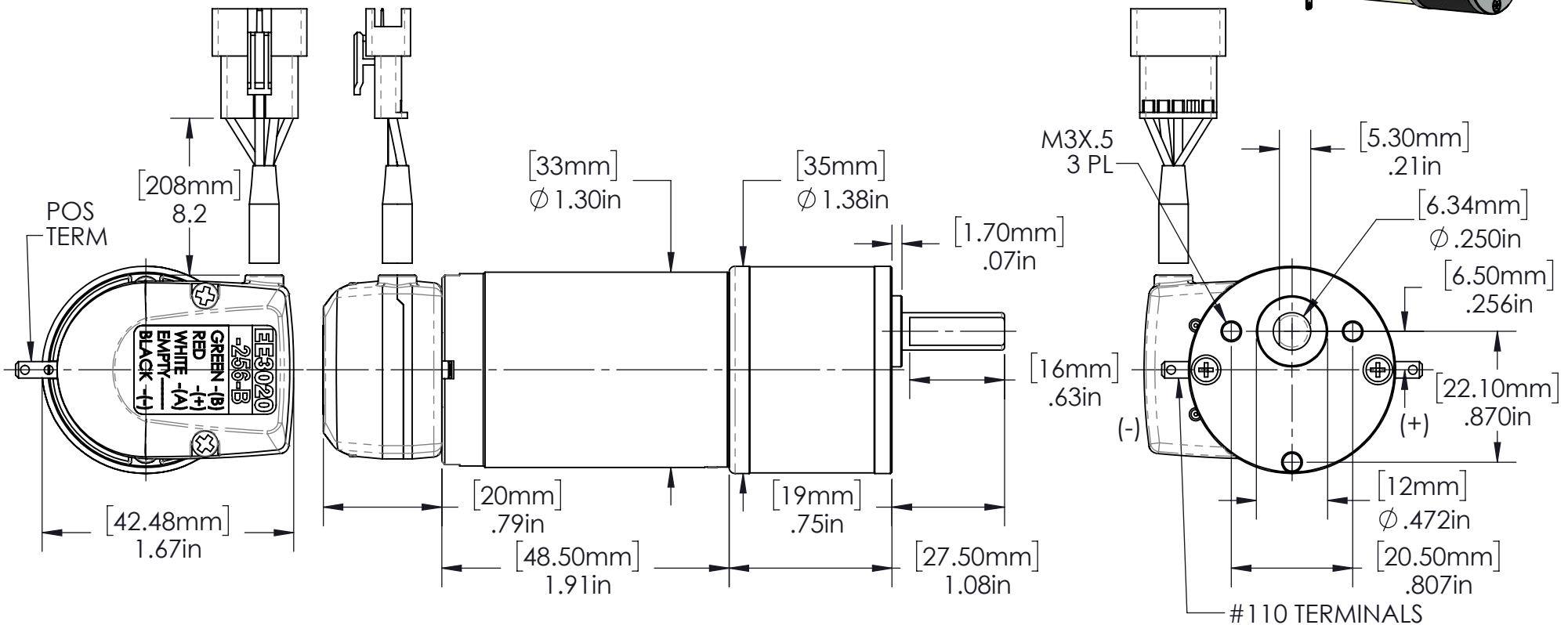
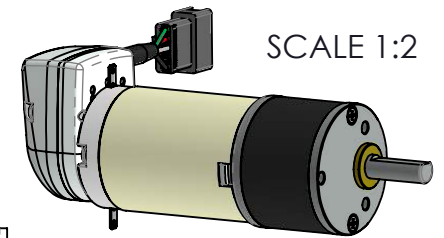



NOTES: UNLESS OTHERWISE SPECIFIED  
 1. ALL DIMENSIONS FOR REFERENCE ONLY  
 2. OUTPUT SHAFT DIRECTION IS REVERSIBLE.  
 3. MOTOR IS NOT DESIGNED FOR STALL.



I/WE CERTIFY THAT SAMPLES OF THIS MOTOR HAVE BEEN FULLY TESTED BY THE UNDERSIGNED AND THAT ALL SPECIFICATIONS HAVE BEEN REVIEWED FOR PRODUCTION. MULTIPRODUCTS COMPANY, INC. IS NOT RESPONSIBLE FOR MOTORS THAT FAIL IN THE FIELD DUE TO INSUFFICIENT TESTING OF THE SAMPLE MOTORS. I/WE AGREE TO PROVIDE MULTIPRODUCTS COMPANY, INC. WITH CURRENT DRAWINGS AND IN-HOUSE TEST PROCEDURES AS THEY BECOME AVAILABLE. ANY CHANGES THAT I/WE MAY MAKE WHICH OCCUR AFTER THE DATE SHOWN ARE SUBJECT TO REVIEW AND MAY AFFECT UNIT PRICE AND/OR DELIVERY DATES.

SIGNATURE \_\_\_\_\_ PRINT NAME \_\_\_\_\_ DATE \_\_\_\_\_  
 IN ORDER TO BEGIN PRODUCTION, MULTIPRODUCTS COMPANY, INC. MUST HAVE SIGNED APPROVAL.

REV.	DESCRIPTION	DATE	ECO#
 <b>MULTI PRODUCTS</b> Company, Inc.			
PART NAME/DESCRIPTION: <b>10 RPM GEARMOTOR W/ENCODER</b>			
DRAWN BY: DAB	DATE: 5/22/2014	SCALE: 1:1	MATERIAL:
CHK'D BY: RP	DATE: 5/22/2014	PART NUMBER: <b>MOD-DCM-1023</b>	
APPR'D BY:	DATE:		
<b>TOLERANCES</b> X.XX : ±010 X.XXX : ±005 FRACTION: ±1/64 ANGLE: ±2° UNLESS OTHERWISE SPECIFIED			