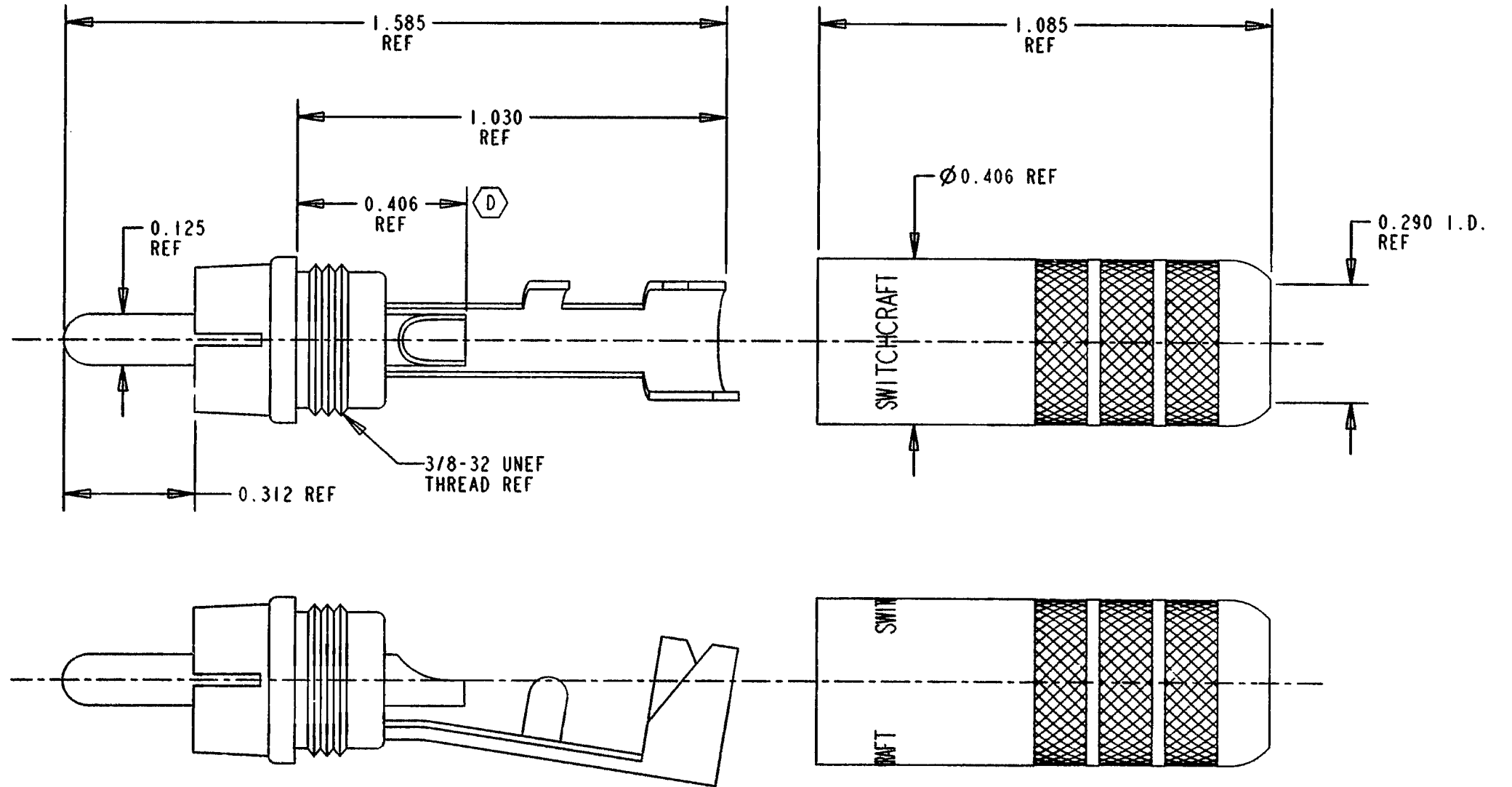
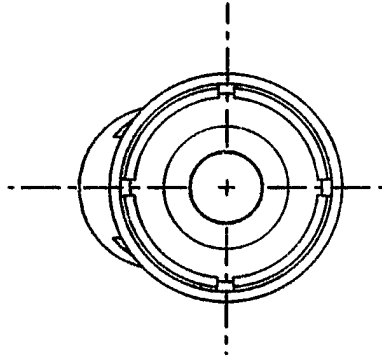


SCALE 1:1



MATERIALS:

WASHER: G10 EPOXY-GLASS LAMINATE

CENTER PIN: BRASS, SEE TABLE

PLUG HOUSING: BRASS, SEE TABLE

CLAMP TERMINAL: CRS, ELECTRO-TINNED

HANDLE: BRASS, SEE TABLE

CUSTOMER DRAWING

(F)

PART NUMBER	PART REV.	CENTER PIN AND PLUG HOUSING	HANDLE
3502A	E	NICKEL PLATED	NICKEL PLATED
3502AAU	C	GOLD PLATED	BLACK EPOXY PAINT
3502AB	A	NICKEL PLATED	
3502ABAU	D	GOLD PLATED	RED EPOXY PAINT
3502AR	A	NICKEL PLATED	
3502ARAU	A	GOLD PLATED	

REV	ECO NUMBER	DATE	BY	APVD
F	ECO #22304	4-23-98	MM	EB
E	UP REVISION ONLY ECO #19952	7-12-95	ES	TJK
D	ECO #19796	4-11-95	SG	GHJ
C	ECO #19684	4-11-95	SG	GHJ
B	ECO #18851	3-24-94	SG	TO
A	REL. TO PROD.	1-4-94	LR	TO

REVISIONS

★ STAR SYMBOL DEMOTES CRITICAL DIMENSION

UNLESS OTHERWISE SPECIFIED

- ALL DIMENSIONS IN INCHES
- TWO PLACE DECIMALS ± 0.01
- THREE PLACE DECIMALS ± 0.005
- ANGLES $\pm 1^\circ$
- ALL DIA. CONCENTRIC WITHIN 0.005 T.I.R.
- FEATURES ON THE SAME CENTERLINE MUST BE ALIGNED WITHIN ± 0.002
- REMOVE ALL BURRS

DO NOT SCALE DRAWING

THIS DRAWING DESCRIBES A DESIGN CONSIDERED PROPRIETARY IN NATURE, DEVELOPED AND MANUFACTURED BY SWITCHCRAFT INC. AND IS RELEASED ON A CONFIDENTIAL BASIS FOR IDENTIFICATION PURPOSES ONLY.

SIZE	WIDTH	MULT	LBS/M	TEMPER
FINISH		MATERIAL		
SPEC No.		SPEC No.		
FIRST USED ON		SCALE		
DATE DRAWN	BY	CHKD	APVD	Switchcraft®
11-NOV-93	LR	LR	TO	
		1-4-94	1-4-94	SHEET 1 OF 1
NAME		PART No.		REV
PLUG ASSEMBLY 3502A		3502A SERIES		F

(B)