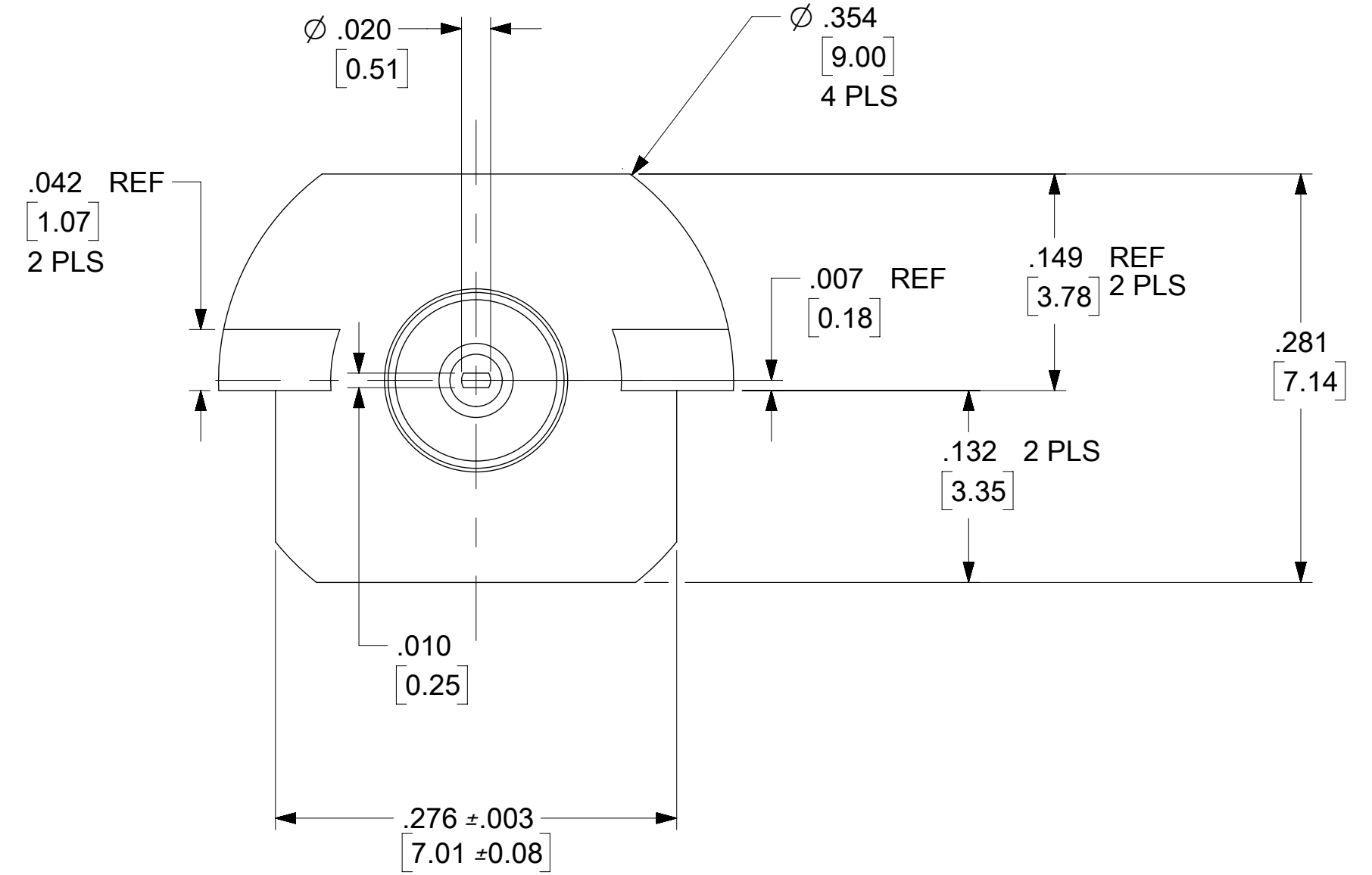
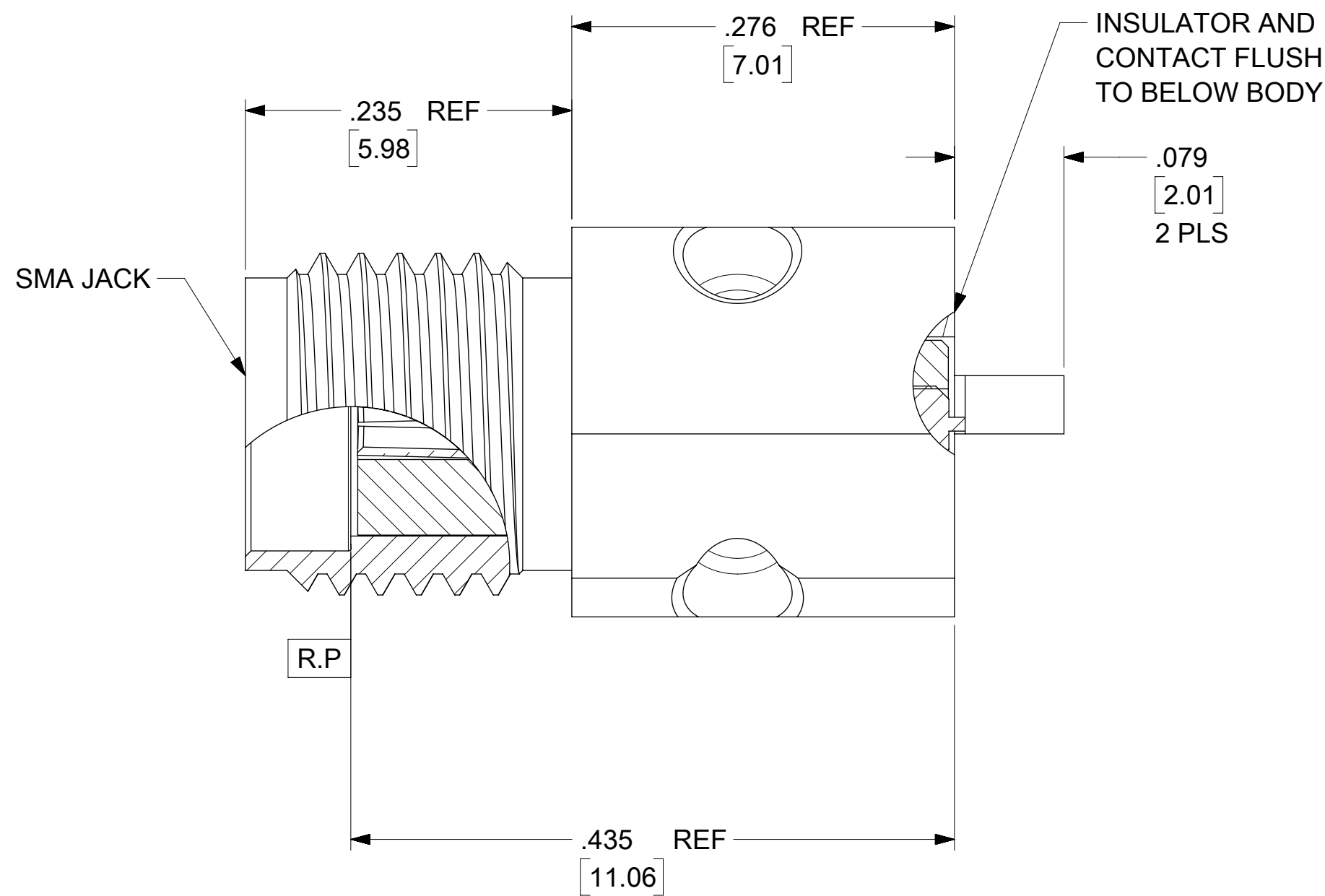
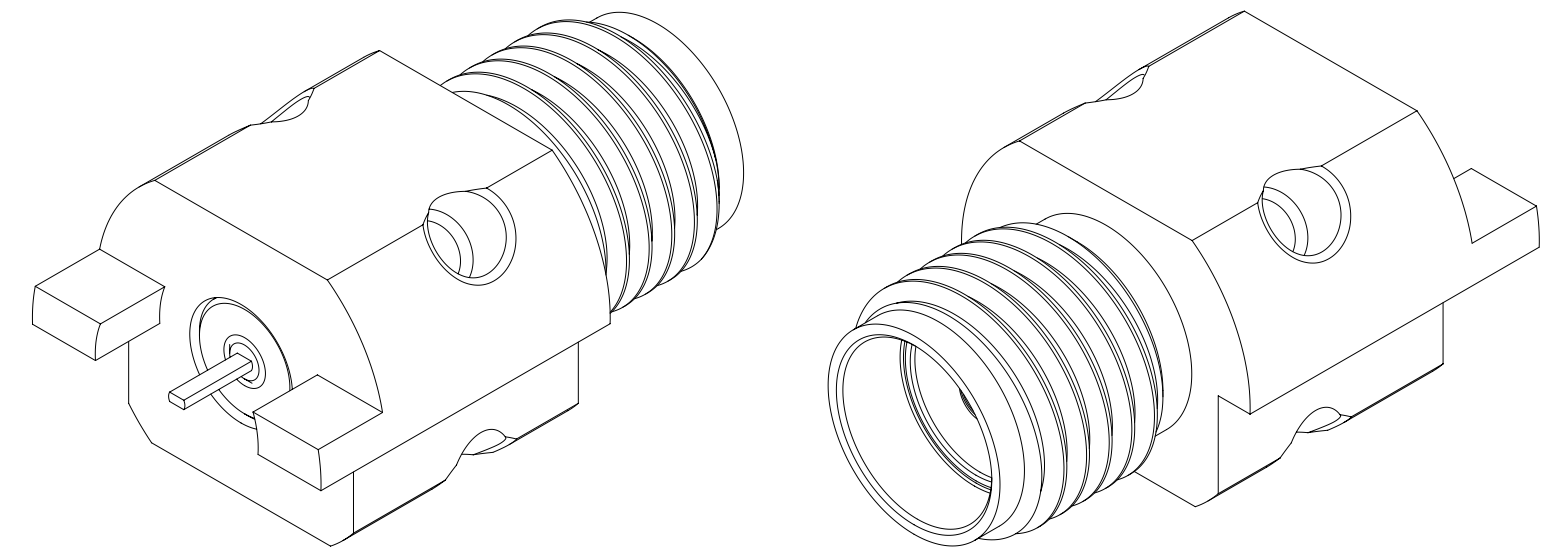


MATERIALS AND FINISHES:

BODY: BRASS
 PLATED: GOLD (1μ-in MIN) OVER NICKEL PHOSPHOR (80μ-in MIN)

CONTACT: BERYLLIUM COPPER
 PLATED: GOLD (8μ-in MIN) OVER NICKEL PHOSPHOR (80μ-in MIN)

INSULATOR: PTFE



73251-9780	TRAY
PART NO.	PACKAGING

MIL-STD-348, FIG. 310-2	INTERFACE
SPECIFICATION	DESCRIPTION

DOCUMENT STATUS	P1	RELEASE DATE	2019/07/24	20:13:13
-----------------	----	--------------	------------	----------

SYMBOLS		THIS DRAWING CONTAINS INFORMATION THAT IS PROPRIETARY TO MOLEX ELECTRONIC TECHNOLOGIES, LLC AND SHOULD NOT BE USED WITHOUT WRITTEN PERMISSION		CURRENT REV DESC: NEW RELEASE	
▽ = 0	IN/MM	SCALE	NTS		
▽ = 0	GENERAL TOLERANCES (UNLESS SPECIFIED)				
▽ = 0		MM	INCH		
▽ = 0	4 PLACES ±			EC NO: 620918	
▽ = 0	3 PLACES ±			DRWN: BSHAH 2019/07/16	
▽ = 0	2 PLACES ±	0.13	0.01	CHK'D: LMEIER 2019/07/24	
▽ = 0	1 PLACE ±	0.25		APPR: AROBERTSON 2019/07/24	
▽ = 0	0 PLACES ±			INITIAL REVISION:	
▽ = 0	ANGULAR TOL ± °			DRWN: DRWN BY XXXX/XX/XX	
▽ = 0				APPR: APPR BY XXXX/XX/XX	
▽ = 0	DRAFT WHERE APPLICABLE MUST REMAIN WITHIN DIMENSIONS	THIRD ANGLE PROJECTION	DRAWING	SERIES	MATERIAL NUMBER
			C-SIZE	73251	732519780
		CUSTOMER		DOC TYPE	DOC PART
		SEE TABLE		PSD	000
				REVISION	A
				SHEET NUMBER	1 OF 2

molex

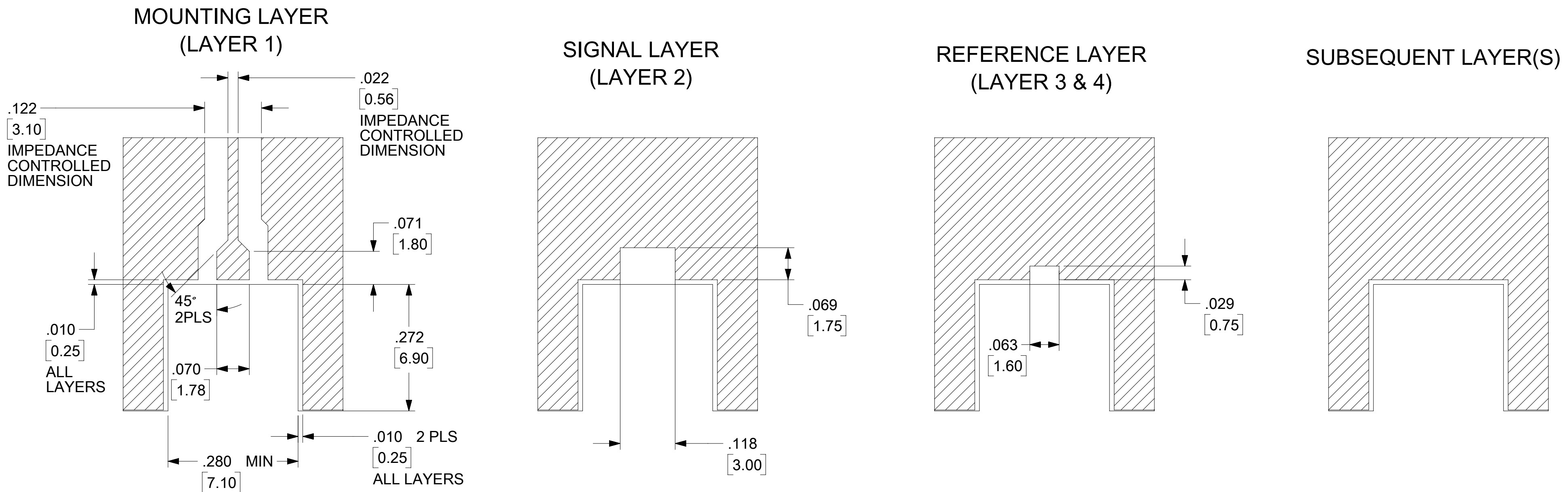
SMA JACK PCB DETENT EDGE MOUNT FLAT TAB CONTACT, SMA-J/PCB, EWR-13186

PRODUCT CUSTOMER DRAWING

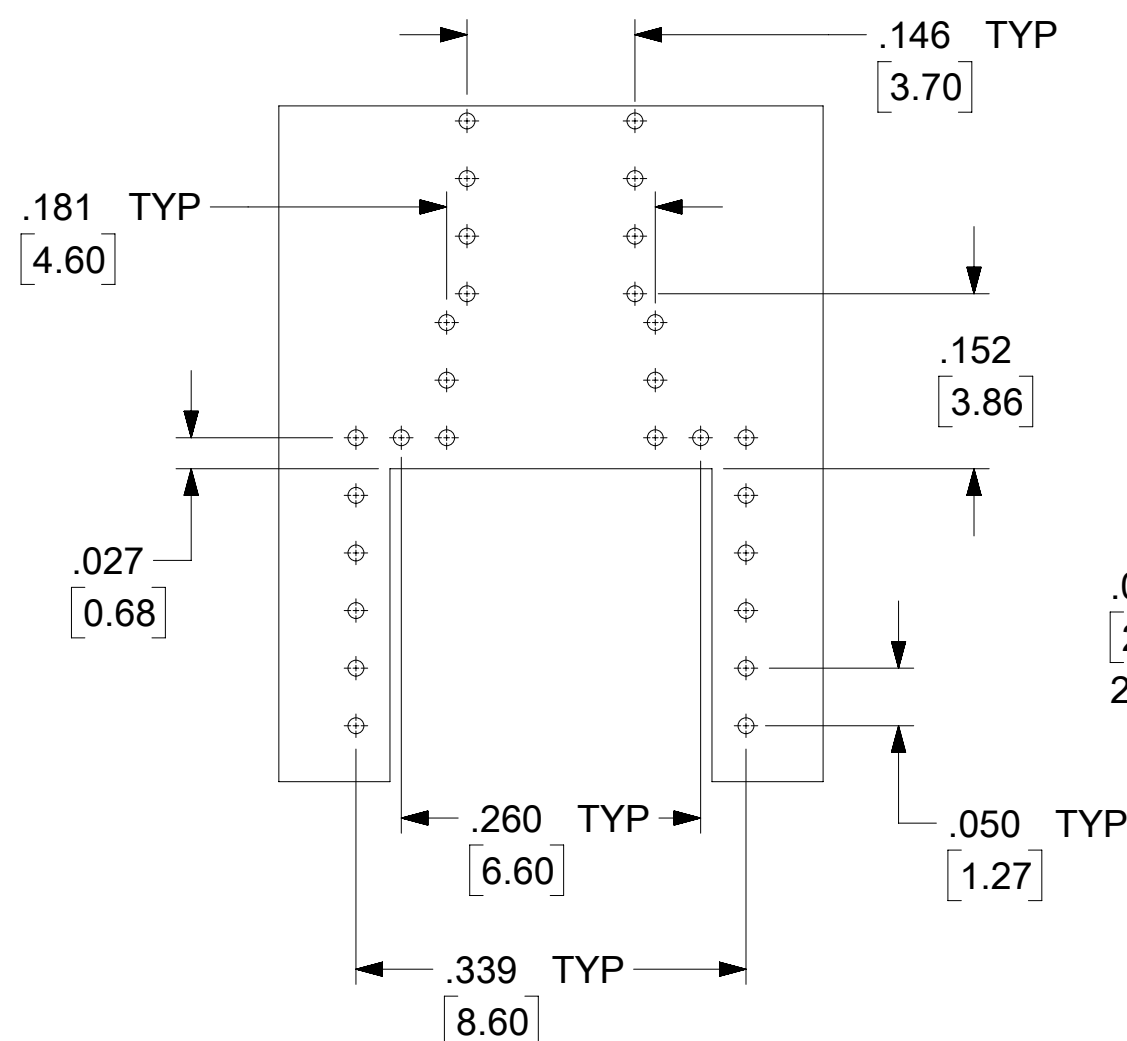
DOCUMENT NUMBER	DOC TYPE	DOC PART	REVISION
732519780	PSD	000	A

PCB CONNECTOR LAUNCH / PAD (FOR REFERENCE ONLY)

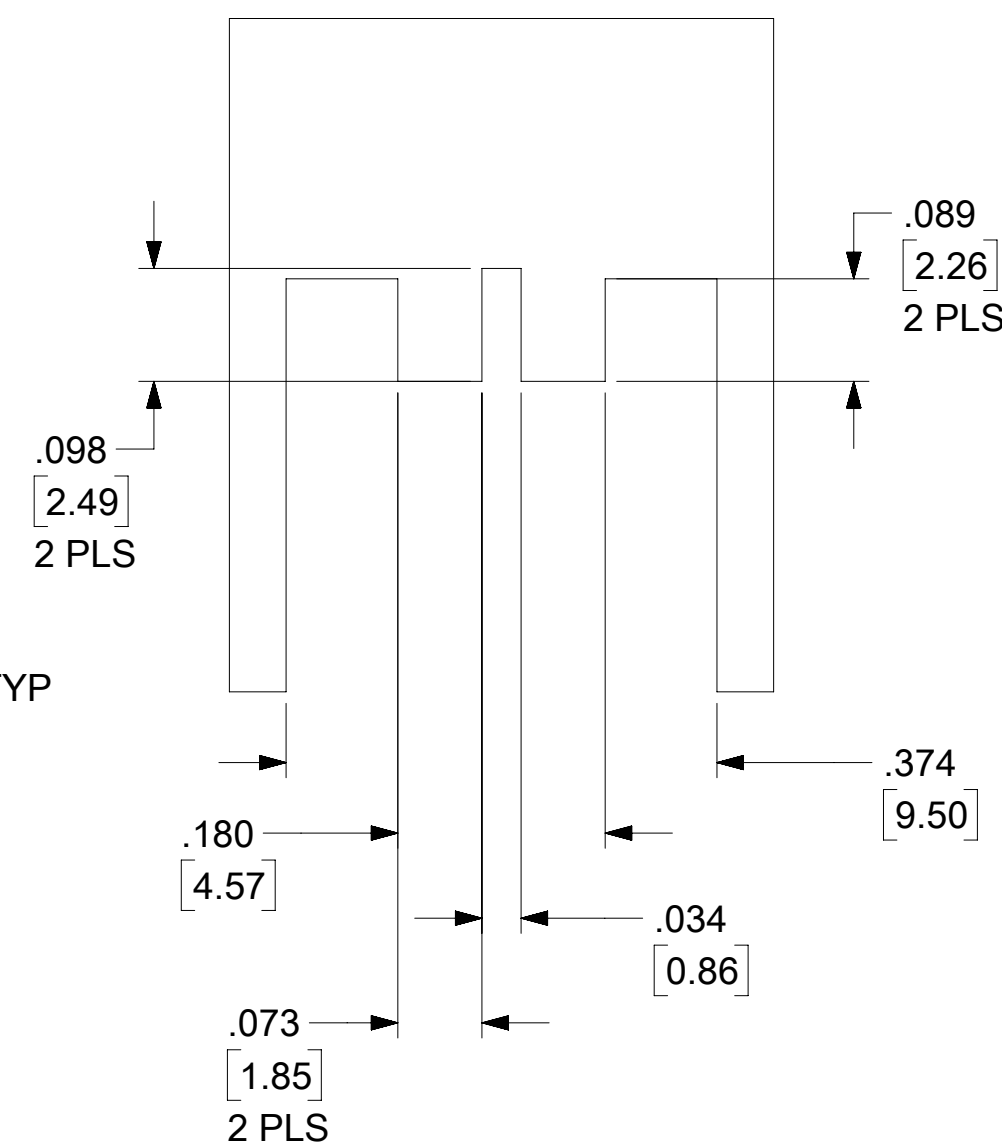
ALL HATCHED SURFACES SHOWN BELOW ARE COPPER (Cu)



VIAS



SILK SCREEN



TYPICAL PERFORMANCE CHARACTERISTICS WITH CONNECTOR AND PCB LAUNCH SHOWN

VSWR (FULLY MATED)	FREQUENCY BAND
1.25	DC TO 6 GHz
1.75	6 TO 10 GHz

VARYING PCB STACKUPS AND PCB LAUNCH WILL RESULT IN VARYING RESULTS

CONTACT MOLEX RF / MICROWAVE FOR APPLICATION SPECIFIC ASSISTANCE

PCB STACK UP

LAYER	MATERIAL	Dk	THICKNESS (mil)
1	1/2 oz. Cu + PLATING		2.1
	Isola Tachyon 100G	3.02	10.0
2	1/2 oz. Cu		0.7
	Isola Tachyon 100G	3.02	10.0
3	1/2 oz. Cu		0.7
	Isola Tachyon 100G	3.02	10.0
4	1/2 oz. Cu		0.7
	Isola Tachyon 100G	3.02	10.0
5*	1/2 oz Cu		0.7

* SUBSEQUENT LAYERS MAY BE ADDED AS REQUIRED FOR INDIVIDUAL APPLICATIONS

SYMBOLS				THIS DRAWING CONTAINS INFORMATION THAT IS PROPRIETARY TO MOLEX ELECTRONIC TECHNOLOGIES, LLC AND SHOULD NOT BE USED WITHOUT WRITTEN PERMISSION			
▽ = 0	IN/MM	NTS	CURRENT REV DESC: NEW RELEASE				
▽ = 0	GENERAL TOLERANCES (UNLESS SPECIFIED)		EC NO: 620918				
▽ = 0	MM	INCH	DRWN: BSHAH 2019/07/16				
▽ = 0	4 PLACES ±	±	CHK'D: LMEIER 2019/07/24				
▽ = 0	3 PLACES ±	± 0.005	APPR: AROBERTSON 2019/07/24				
▽ = 0	2 PLACES ±	± 0.13 ± 0.01	INITIAL REVISION:				
▽ = 0	1 PLACE ±	± 0.25 ±	DRWN: DRWN BY XXXX/XX/XX				
▽ = 0	0 PLACES ±	±	APPR: APPR BY XXXX/XX/XX				
▽ = 0	ANGULAR TOL	± °	THIRD ANGLE PROJECTION				
▽ = 0	DRAFT WHERE APPLICABLE MUST REMAIN WITHIN DIMENSIONS		DRAWING C-SIZE		SERIES 73251		
DOCUMENT STATUS		P1		RELEASE DATE		2019/07/24 20:13:13	

molex

SMA JACK PCB DETENT EDGE MOUNT FLAT TAB CONTACT, SMA-J/PCB, EWR-13186

PRODUCT CUSTOMER DRAWING

DOCUMENT NUMBER	DOC TYPE	DOC PART	REVISION
732519780	PSD	000	A

MATERIAL NUMBER	CUSTOMER	SHEET NUMBER
SEE TABLE		2 OF 2