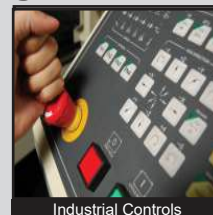


# PVA6 SERIES ANTI-VANDAL SWITCH

ANTI-VANDAL SWITCHES  
DETECTOR SWITCHES  
DIP SWITCHES  
KEYLOCK SWITCHES  
NAVIGATION SWITCHES  
PUSHBUTTON SWITCHES  
ROCKER SWITCHES  
ROTARY SWITCHES  
SLIDE SWITCHES  
SNAP ACTION SWITCHES  
TACTILE SWITCHES  
TOGGLE SWITCHES  
CAP OPTIONS



## APPLICATIONS / MARKETS



# RoHS

## SPECIFICATIONS

**Electrical Rating:** 2A, 36VDC  
**Mechanical Life:** 1,000,000 Cycles (PVA6L 100,000 Cycles)  
**Electrical Life:** 200,000 Cycles (PVA6L 100,000 Cycles)  
**Contact Resistance:** 50mΩ Max. Initial  
**Insulation Resistance:** 1,000 MΩ @ 500VDC  
**Dielectric Strength:** 2,000V  
**Operating/Storage Temperature:** -20°C to 70°C  
**Travel:** 2.0mm (PVA6L 2.3mm)  
**Moisture Protection:** IP67  
**Contact Arrangement:** SPST  
**Actuation Force:** 460 gf  
**Panel Thickness:** 1-8mm (PVA6L 1-6mm)  
**Max Hex Nut Torque:** 11.5 kgf/cm  
**Contact Material:** Silver (PVA6L Coin Silver, Gold Flash Plated)

## FEATURES & BENEFITS

- PVA6**
- 16mm diameter panel cutout
  - Solder lug or wire leads (500 mm long) termination
  - Ring or power symbol / ring illumination options
  - Multiple actuator options
  - IP67 rated, Off-(On), SPST
  - Multiple LED colors available
- PVA6L - Latching Version**
- 16mm diameter panel cutout
  - Solder lug or wire leads (500 mm long) termination
  - Ring or power symbol / ring illumination options
  - IP67 rated, Off-On Latching, SPST
  - Multiple LED colors available

## PART NUMBER CONFIGURATOR

Series Options	Bezel Shape	Button Style	Termination	Circuit Function	Housing Material	LED Color Options	LED Voltage
PVA6	R - Rounded	E - Ring Illumination P - Power Symbol/ Ring Illumination	2 - Solder Lug W - Wire Leads 500mm long	4 - SPST Off - (On)* Momentary	1 - Black Anodized 2 - Clear Anodized	0 - White 1 - Red 3 - Green 4 - Blue 5 - Yellow G - Red/Green bi-color	1 - Base Voltage <sup>†</sup>
PVA6	H - High Flat	E - Ring Illumination	2 - Solder Lug W - Wire Leads 500mm long	4 - SPST Off - (On)* Momentary	S - Stainless Steel	0 - White 1 - Red 3 - Green 4 - Blue 5 - Yellow G - Red/Green bi-color	1 - Base Voltage <sup>†</sup>
PVA6	F - Flat	E - Ring Illumination P - Power Symbol/ Ring Illumination	2 - Solder Lug W - Wire Leads 500mm long	4 - SPST Off - (On)* Momentary	S - Stainless Steel	0 - White 1 - Red 3 - Green 4 - Blue 5 - Yellow G - Red/Green bi-color	1 - Base Voltage <sup>†</sup>
PVA6L	R - Rounded	E - Ring Illumination P - Power Symbol/ Ring Illumination	2 - Solder Lug W - Wire Leads 500mm long	1 - SPST Off - On Latching	1 - Black Anodized 2 - Clear Anodized	0 - White 1 - Red 3 - Green 4 - Blue 5 - Yellow G - Red - Off Position/ Green - On Position bi-color	1 - Base Voltage <sup>††</sup>

NOTES:  
 \* ( ) denotes function is momentary  
<sup>†</sup>PVA6 Base voltage on LEDs: 1.7V - 2.5V @ 20mA; 2.0V Typ @ 20mA for Red and Yellow LED colors  
 2.8V - 3.7V @ 20mA; 3.1V Typ @ 20mA for Blue, Green, and White LED colors  
<sup>††</sup>PVA6L Base voltage on LEDs: 3V @ 20mA for all LED colors

Specifications subject to change without notice 4.26.2022



**E-SWITCH®**

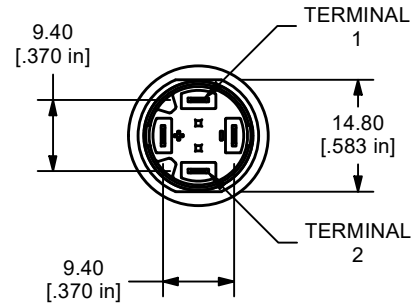
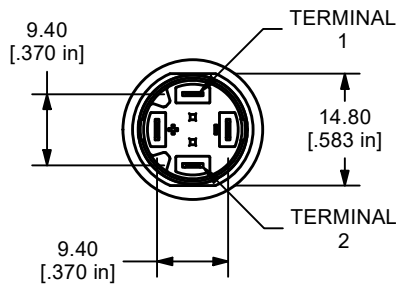
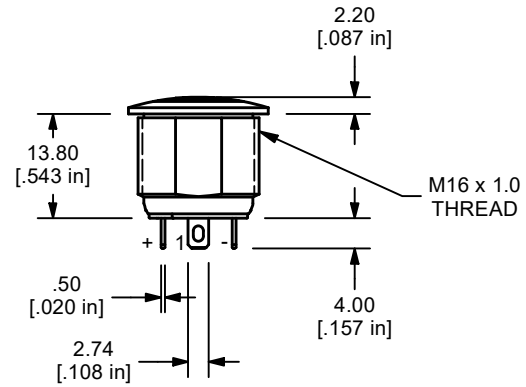
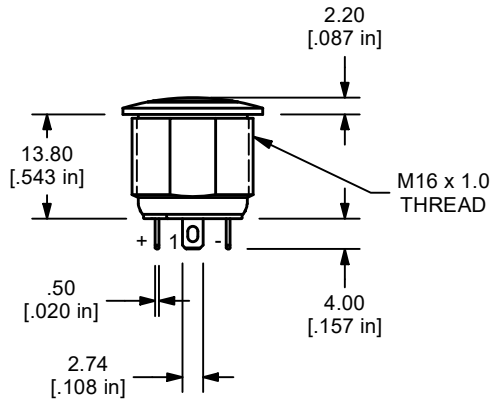
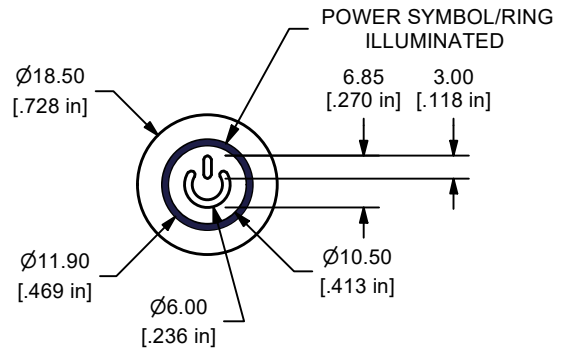
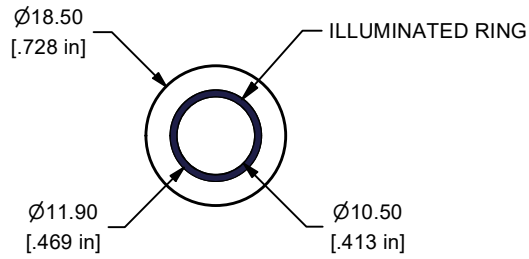
www.e-switch.com

800.867.2717

1

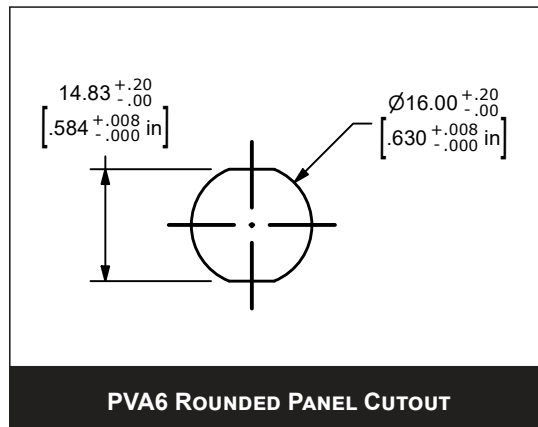
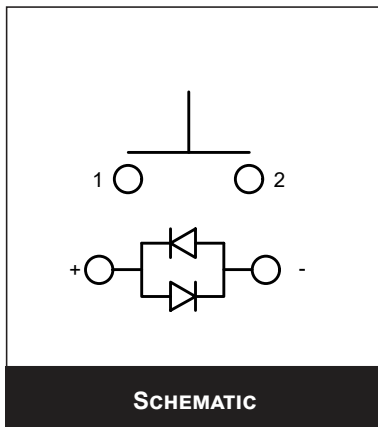
# PVA6 SERIES ANTI-VANDAL SWITCH

## BODY DIMENSIONS PVA6 ROUNDED BEZEL



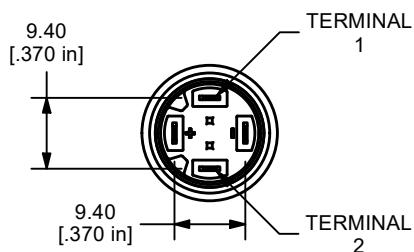
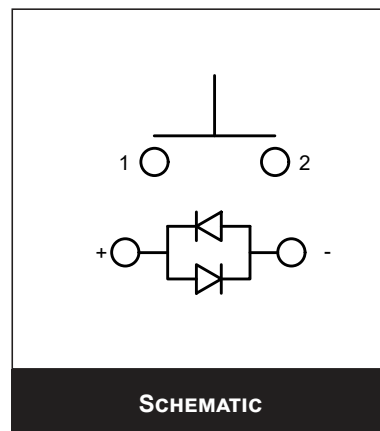
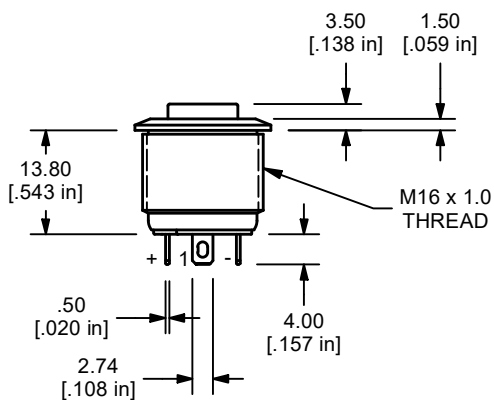
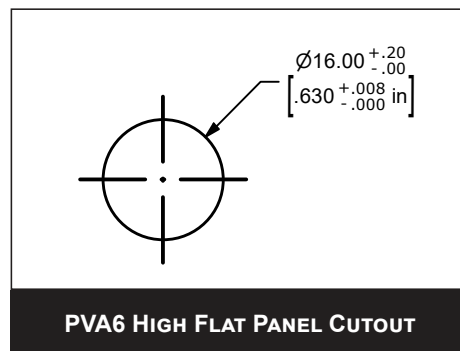
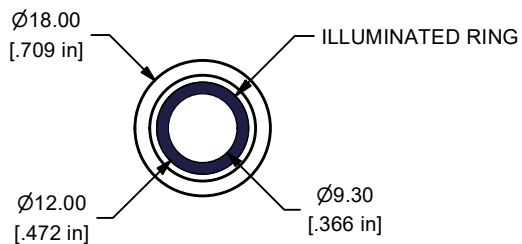
RING ILLUMINATED

POWER SYMBOL/RING ILLUMINATED



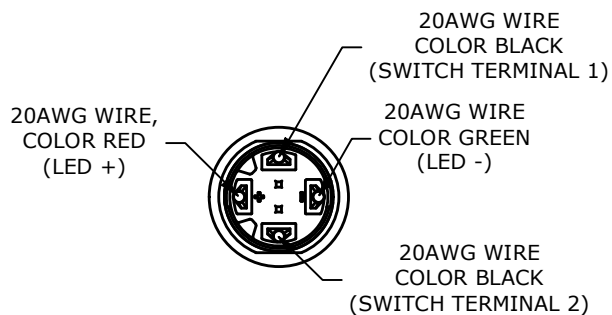
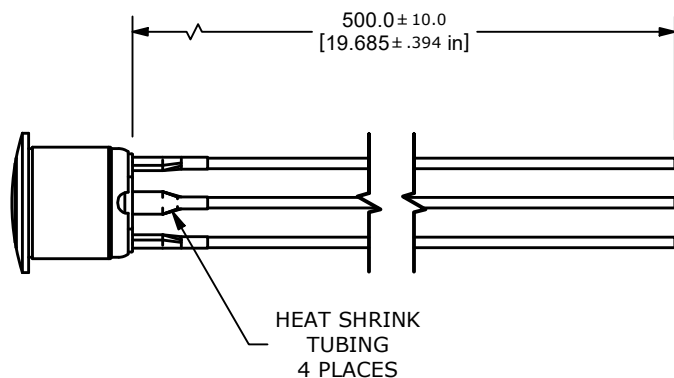
# PVA6 SERIES ANTI-VANDAL SWITCH

## BODY DIMENSIONS PVA6 HIGH FLAT BEZEL



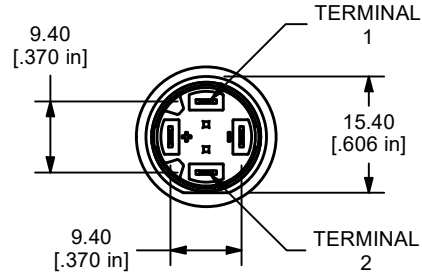
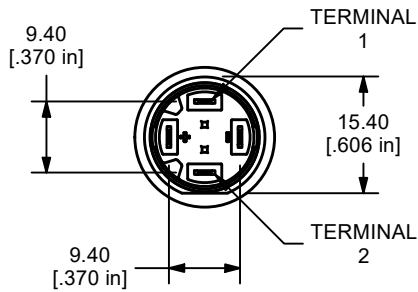
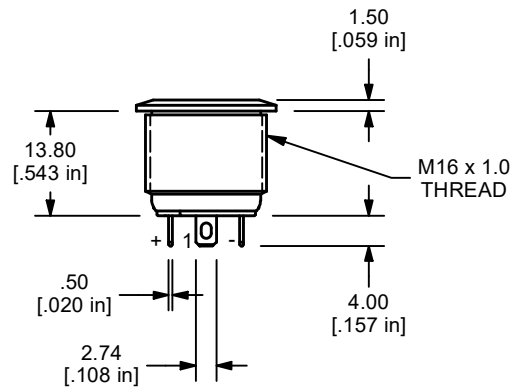
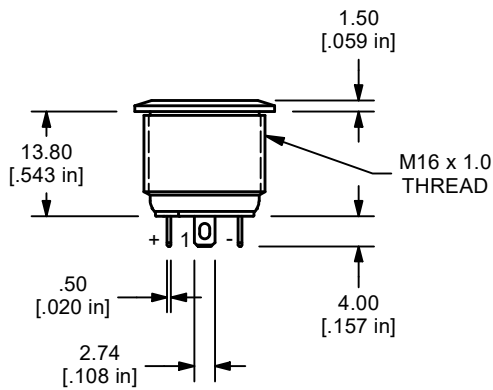
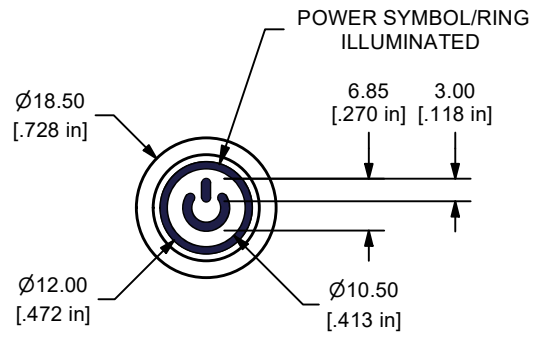
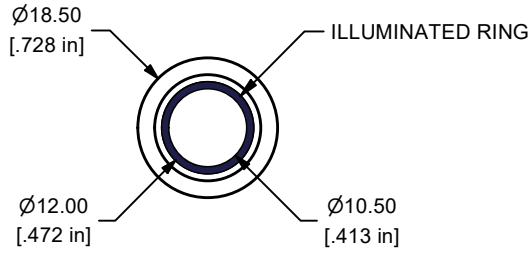
RING ILLUMINATED

## WIRE LEADS



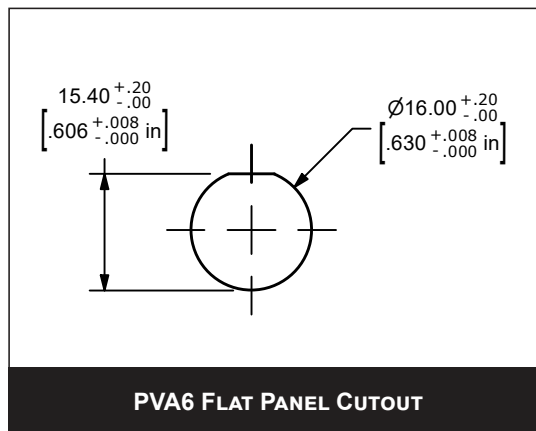
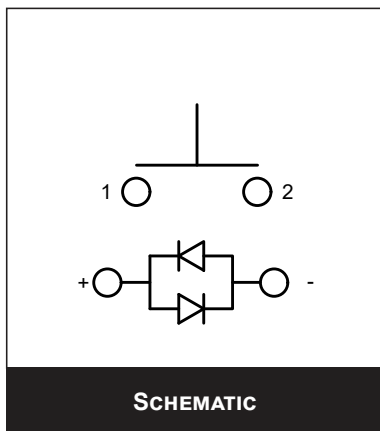
# PVA6 SERIES ANTI-VANDAL SWITCH

## BODY DIMENSIONS PVA6 FLAT BEZEL



RING ILLUMINATED

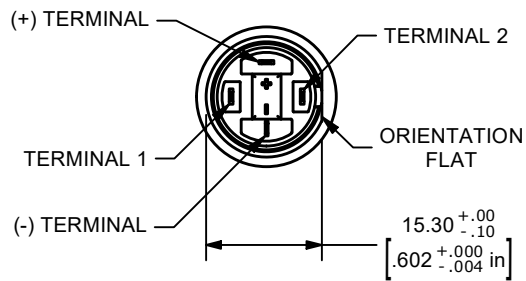
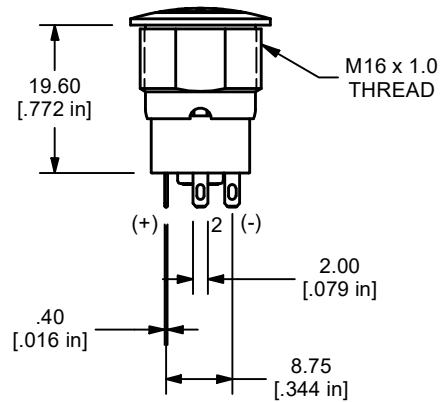
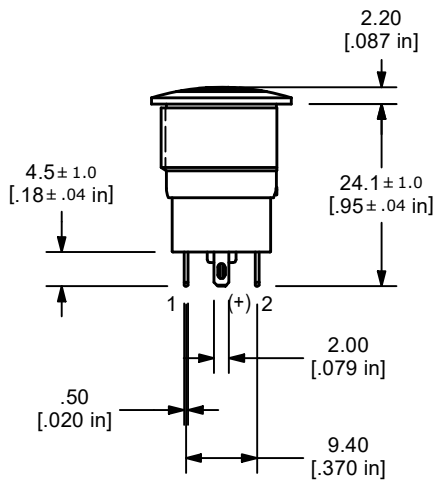
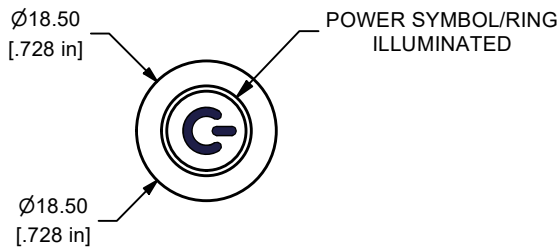
POWER SYMBOL/RING ILLUMINATED



ANTI-VANDAL SWITCHES  
DETECTOR SWITCHES  
DIP SWITCHES  
KEYLOCK SWITCHES  
NAVIGATION SWITCHES  
PUSHBUTTON SWITCHES  
ROCKER SWITCHES  
ROTARY SWITCHES  
SLIDE SWITCHES  
SNAP ACTION SWITCHES  
TACTILE SWITCHES  
TOGGLE SWITCHES  
CAP OPTIONS

# PVA6 SERIES ANTI-VANDAL SWITCH

## BODY DIMENSIONS PVA6L ROUNDED BEZEL



POWER SYMBOL/RING  
ILLUMINATED

