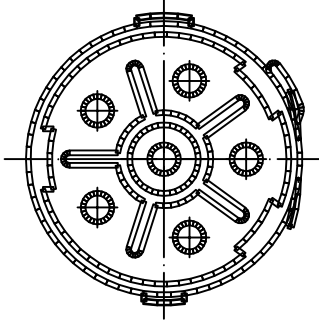
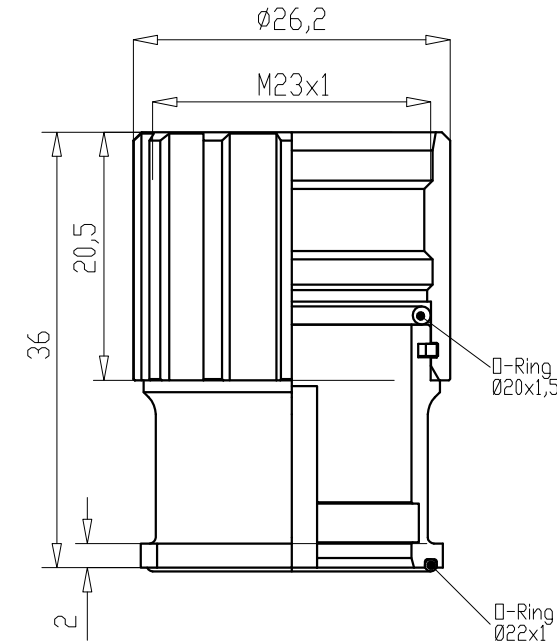
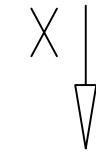
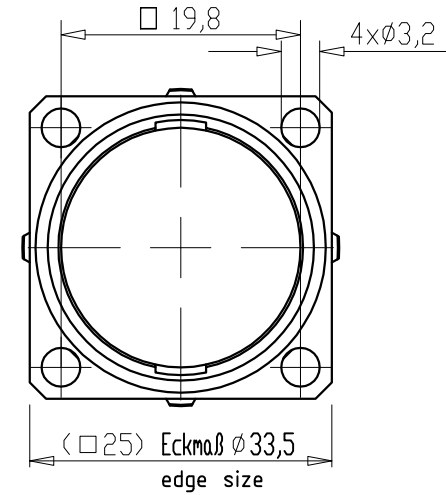
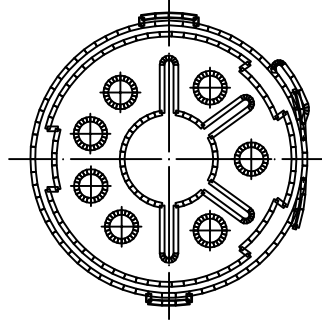


Views from "X"

6-Pole
(5+1)



8-Pole



	Cable Diameter	Crimp Contacts	Without Contacts
6 Pole (5+PE)		KRP6G00-103 1202340001	KRP6G00-003 1202340002
	Crimp range*	0,75-2,5mm ²	
8 Pole (4+3+PE)		KRP8G00-113 1202340003	KRP8G00-003 1202340004
	Crimp range*	0,25-1,0mm ² /0,75-2,5mm ²	

*Crimp range only applies to "Crimp Contacts" version

Notes:

Tolerances (unless specified): DIN ISO 2768 m

DESCRIPTION EC NO.: WEU2009-0135 DRWN: BBRAUCH 2008/11/19 CH'KD: --- APPR: JKOLB 2009/03/02	QUALITY SYMBOLS	GENERAL TOLERANCES (UNLESS SPECIFIED)		DIMENSION STYLE	SCALE	DESIGN UNITS	FIRST ANGLE PROJECTION
	▽ = 0	mm	INCH	MM	---	METRIC	
	▽C = 0	4 PLACES ±----	±----	DRAWN BY	DATE	M23 FRONT PM RECEPT. FEMALE FLANGE-MOUNT 4 X DIA 3.2MM	
		3 PLACES ±----	±----	BB	2008/11/19		
		2 PLACES ±0.05	±----	CHECKED BY	DATE		
	1 PLACE ±0.1	±----	JKO	2008/12/09	MOLEX INCORPORATED		
	ANGULAR ± --- °		APPROVED BY	DATE			
					MATERIAL NO.	DOCUMENT NO.	SHEET NO.
					see table	SD-120234-001	1 OF 1
					SIZE A3	THIS DRAWING CONTAINS INFORMATION THAT IS PROPRIETARY TO MOLEX INCORPORATED AND SHOULD NOT BE USED WITHOUT WRITTEN PERMISSION	