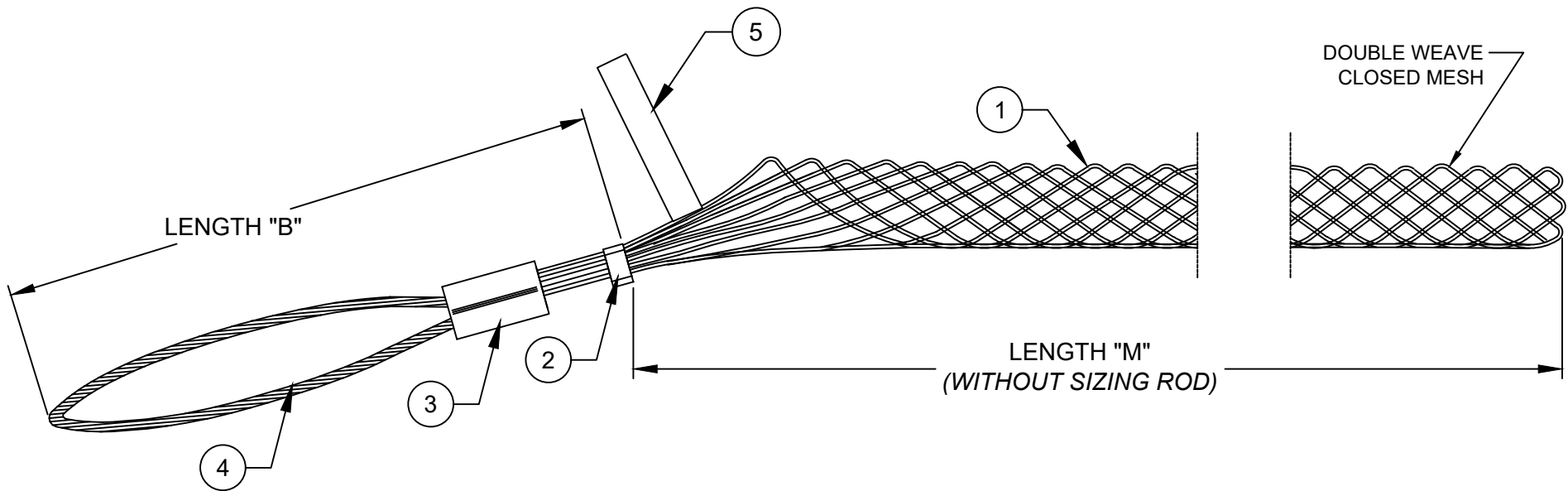


CATALOG NUMBER	MATERIAL NUMBER	CABLE RANGE	LENGTH "M"	LENGTH "B"	BREAK STRENGTH* (LBS/N)	UL LISTED	CSA APPROVED	PRODUCT SELECTION NUMBER
36101	1300950225	.75-.99 / 19.1-25.1	13.00±1.50 / 330.2±38.1	7.00±1.00 / 177.8±25.4	3000 / 13345	NO	YES	SCK075-1
36102	1300950227	1.00-1.24 / 25.4-31.5	16.00±2.00 / 406.4±50.8	8.00±1.00 / 203.2±25.4	4200 / 18683			SCK100-1
36103	1300950229	1.25-1.49 / 31.8-37.8	17.00±2.00 / 431.8±50.8	8.00±1.00 / 203.2±25.4	5500 / 24465			SCK125-1
36104	1300950230	1.50-1.74 / 38.1-44.2	18.00±2.00 / 457.2±50.8	9.00±1.00 / 228.6±25.4	7400 / 32917			SCK150-1
36108	1300950234	3.00-3.49 / 76.2-88.6	22.00±2.50 / 558.8±63.5	12.00±1.00 / 304.8±25.4	16000 / 71172			SCK300-1
36109	1300950235	3.50-3.99 / 88.9-101.3	23.00±2.50 / 584.2±63.5	12.00±1.00 / 304.8±25.4	16000 / 71172			SCK350-1

* TO DETERMINE RECOMMENDED WORKING LOAD, DIVIDE BREAK STRENGTH BY 5.



ITEM	DESCRIPTION	MATERIAL
1	WIRE MESH	GALVANIZED STEEL
2	CRIMP CONNECTOR	ALUMINUM
3	FERRULE	ALUMINUM
4	BALE WIRE	STAINLESS STEEL
5	LABEL	MYLAR

FUNCTIONAL SYMBOLS FA=0 FC=0 FE=0	THIS DRAWING CONTAINS INFORMATION THAT IS PROPRIETARY TO MOLEX ELECTRONIC TECHNOLOGIES, LLC AND SHOULD NOT BE USED WITHOUT WRITTEN PERMISSION										
	DIMENSION UNITS		SCALE		CURRENT REV DESC: OBSOLETE PART NUMBER AS PER PCN#510808						
	INCH/MM		NTS		EC NO: 736640 DRWN: SUGEEB 2022/12/21 2023/02/14 CHK'D: LIKITV APPR: GGA 2023/02/16 INITIAL REVISION: DRWN: HRUIZ01 2014/09/05 2016/09/12 APPR: JFMURPHY						
	GENERAL TOLERANCES (UNLESS SPECIFIED)										
DIVISIONAL SYMBOLS	mm		INCH		DOCUMENT NUMBER: SD-130095-113 DOC TYPE: PSD DOC PART: 001 REVISION: A1 MATERIAL NUMBER: SEE TABLE CUSTOMER: GENERAL MARKET SHEET NUMBER: 1 OF 1						
	4 PLACES	± ----	± ----	± ----							
	3 PLACES	± ----	± 0.005	± ----							
	2 PLACES	± 0.13	± 0.01	± ----							
1 PLACE		± 0.25	± 0.02	THIRD ANGLE PROJECTION							
0 PLACES		± ----	± ----	DRAWING: A-SIZE		SERIES: 130095		MATERIAL NUMBER: SEE TABLE		CUSTOMER: GENERAL MARKET	
ANGULAR TOL ± 0.5 °				DRAFT WHERE APPLICABLE MUST REMAIN WITHIN DIMENSIONS		DRAWING: A-SIZE		SERIES: 130095		MATERIAL NUMBER: SEE TABLE	