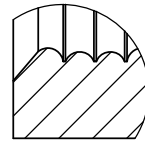
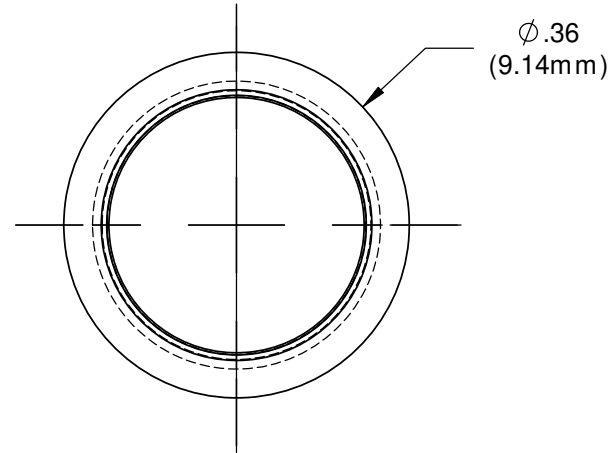
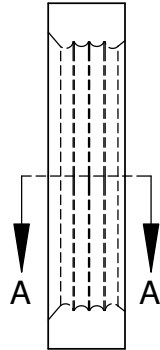
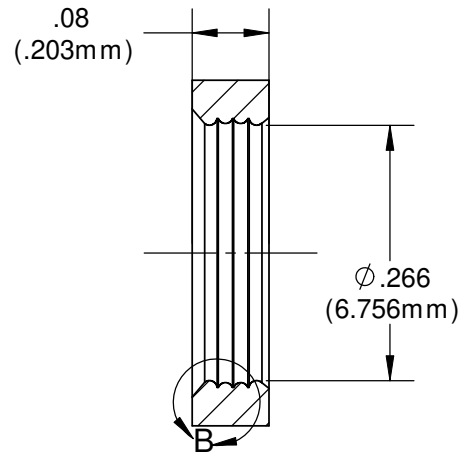


NOTES:  
 1) U.S & Foreign Pat. Issued & Pend.

REVISIONS				
ECN #	REV	DESCRIPTION	DATE	INITIALS
	N/A	INITIAL RELEASE	5/12/94	JS
	001	REVISED PER ECR 111009AZD1	2/11/10	KH
145	002	CHANGE IN MATERIAL	7/12/10	KH



DETAIL B  
 SCALE 10 : 1



SECTION A-A



ISOMETRIC VIEW  
 SCALE 4:1

<small>UNLESS OTHERWISE SPECIFIED DIMENSIONS ARE IN INCHES:          ANGLES ± 1° DECIMALS .X ±.020 .XX ±.010 .XXX ±.005          FINISH .XXX ±.005          BREAK ALL CORNERS AND SHARP EDGES .250 MAX</small>	<b>MATERIAL</b> POLYPROPYLENE, BLACK		<b>VISUAL COMMUNICATIONS COMPANY</b> 190 Bosstick Boulevard, Suite 101 San Marcos, CA 92069 USA Phone (760) 560-1300 Fax (760) 560-1301 email vccsales@vcclite.com	
	<b>FINISH</b> SEE NOTES		<b>TITLE:</b> CLIPMOUNT RING RNG 234	
<small>THIRD ANGLE PROJECTION</small> 	<b>APPROVALS</b>	<b>DATE</b>	<b>SIZE</b> <b>A</b>	<b>DWG. NO.</b> <b>RNG 234</b>
	DRAWN K.Howard CHECKED DPZ	2/11/10 2/22/10	REV <b>002</b>	<b>SCALE: 5:1</b>
DO NOT SCALE DRAWING			SHEET 1 OF 1	