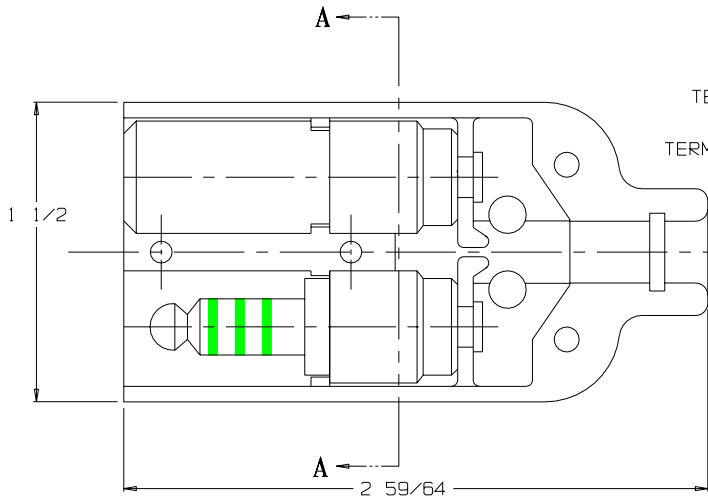
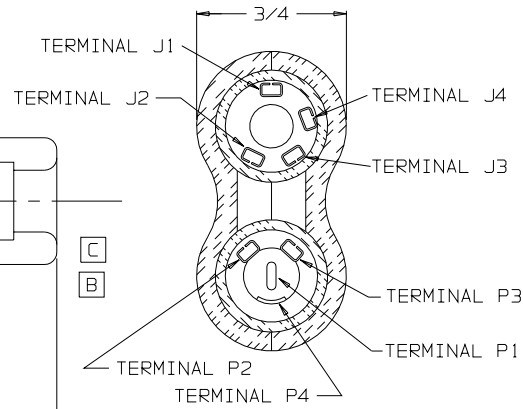


FOR REFERENCE ONLY

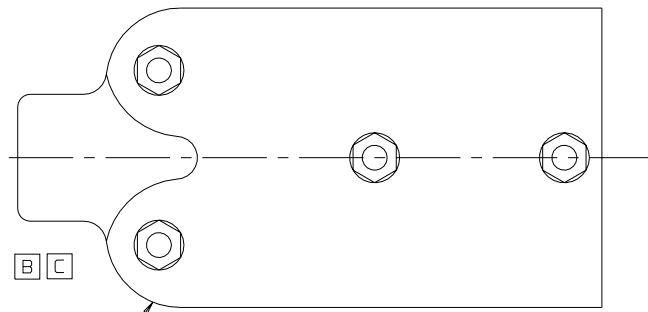
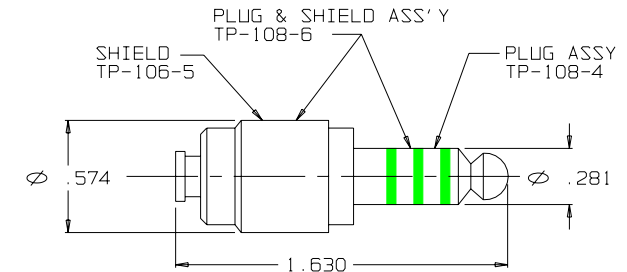
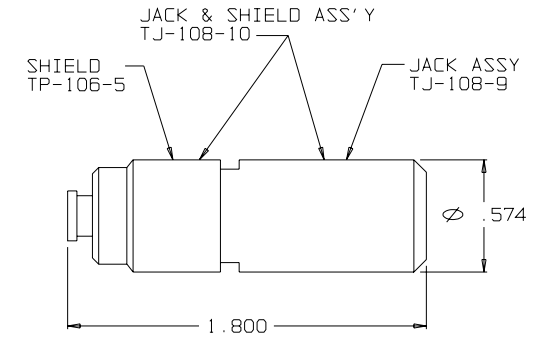
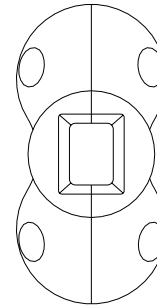
C TJ-108



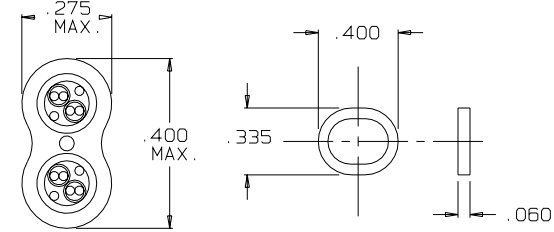
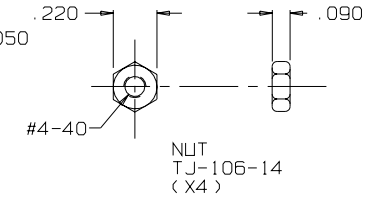
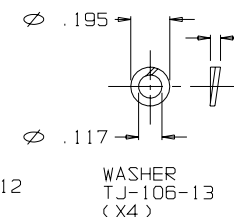
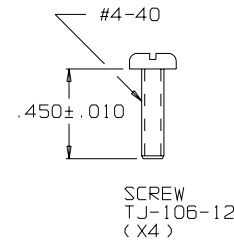
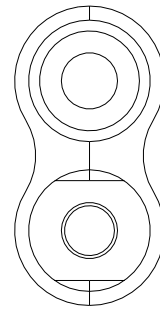
VIEW WITH HALF SHELL REMOVED



SECTION A-A



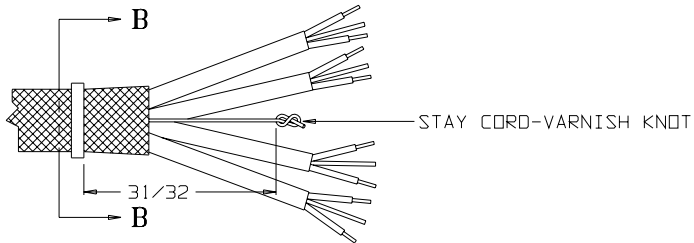
SHELL TJ-108-1 (X2)



SECTION B-B
STRAIN RELIEF CLAMP TJ-106-10A AFTER CRIMPING SCALE: 4:1

RING, STRAIN RELIEF TJ-106-10A

THIS DOCUMENT CONTAINS PROPRIETARY INFORMATION OF NEXUS, INCORPORATED AND SUCH INFORMATION MAY NOT BE DISCLOSED TO OTHERS FOR ANY PURPOSE OR USED FOR ANY PURPOSE WITHOUT THE WRITTEN CONSENT OF NEXUS.



C		UPDATE TO SHOW RE-DESIGNED CABLE ENTRY	6/30/06	EWT	DWN. BY: M. N. F.	DATE: 9/14/95	MATERIAL: _____	
B		UPDATE TO SHOW OLD CABLE ENTRY	6/28/06	EWT	CHECKED BY: L. SMITH	DATE: 3/14/96	FINISH: _____	
A					L. SMITH	DATE: 3/14/96	WEIGHT: _____ SCALE: 2:1	
LET.	REVISION	CN #	DATE	CHK.	UNLESS OTHERWISE SPECIFIED DIMENSIONS ARE IN INCHES TOLERANCES ON FRACTIONS DECIMALS ANGLES		TITLE: JACK-TELEPHONE-BIAXIAL SHIELDED (8) CONDUCTOR	
					± 1/64	± .005	DO NOT SCALE DWG. SHEET 1 OF 1	
							SIZE: C	DWG. NO.: TJ-108