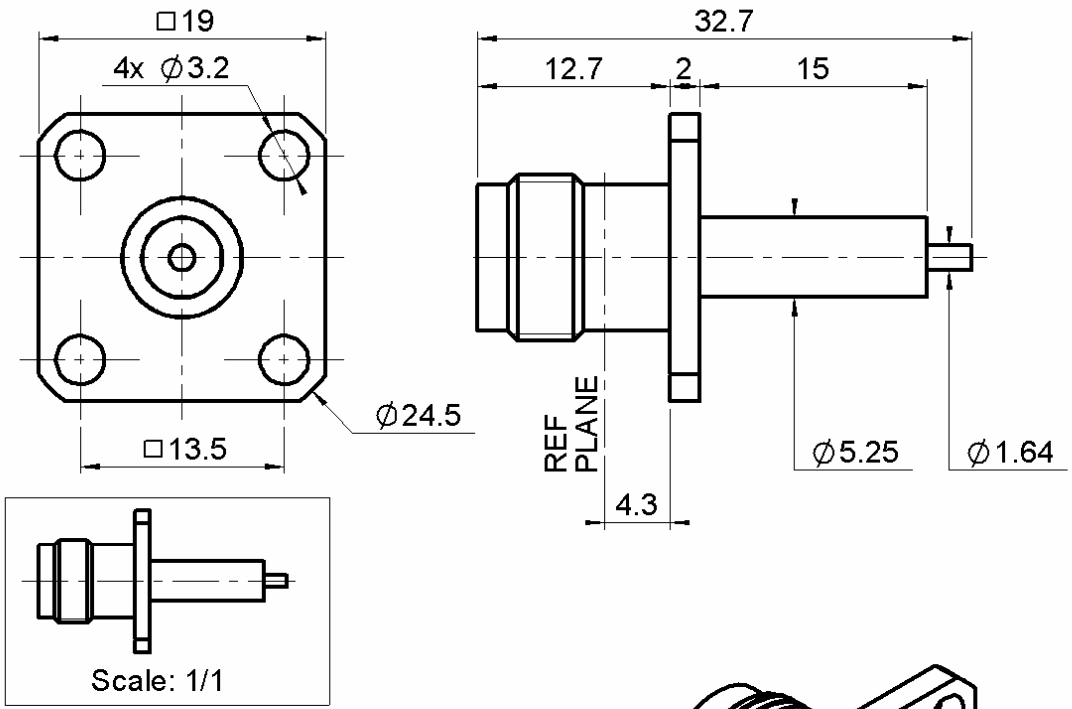


**SQUARE FLANGE JACK RECEPTACLE  
WITH CYLINDRICAL CONTACT**

**R143.412.700**

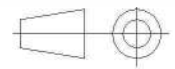
Series : TNC-18



**PANEL CUT OUT**

	mm	
	Maxi	mini
A (F. Mount)	5.5	5.4
A (R. Mount)	11.3	11.2
B	3.3	3.2
C	13.55	13.45

All dimensions are in mm.



COMPONENTS	MATERIALS	PLATINGS (µm)
BODY	STAINLESS STEEL	PASSIVATED
CENTER CONTACT	BERYLLIUM COPPER	GOLD 2.5 OVER NICKEL 2
OUTER CONTACT	-	-
INSULATOR	PTFE	-
GASKET	-	-
OTHERS PARTS	STAINLESS STEEL	PASSIVATED
-	-	-
-	-	-

Issue : 1045 B

In the effort to improve our products, we reserve the right to make changes judged to be necessary.



**SQUARE FLANGE JACK RECEPTACLE  
WITH CYLINDRICAL CONTACT**

**R143.412.700**

Series : TNC-18

**PACKAGING**

Standard	Unit	Other
<b>1</b>	-	<b>Contact us</b>

**SPECIFICATION**

**ELECTRICAL CHARACTERISTICS**

Impedance	<b>50</b>	$\Omega$
Frequency	<b>0-18</b>	GHz
VSWR	<b>1.1 + 0,0100</b>	x F(GHz) Maxi
Insertion loss	<b>0.06</b>	$\sqrt{F}$ (GHz) dB Maxi
RF leakage	- ( <b>80+20</b> )	- F(GHz)) dB Maxi
Voltage rating	<b>500</b>	Veff Maxi
Dielectric withstanding voltage	<b>1500</b>	Veff mini
Insulation resistance	<b>5000</b>	M $\Omega$ mini

**ENVIRONMENTAL**

Operating temperature	<b>-65/+105</b>	$^{\circ}$ C
Hermetic seal	<b>NA</b>	Atm.cm3/s
Panel leakage	<b>NA</b>	

**OTHERS CHARACTERISTICS**

Assembly instruction

Others :  
Interface only

**MECHANICAL CHARACTERISTICS**

Center contact retention		
Axial force – Mating end	<b>27.2</b>	N mini
Axial force – Opposite end	<b>27.2</b>	N mini
Torque	<b>2.8</b>	N.cm mini
Recommended torque		
Mating	<b>NA</b>	N.cm
Panel nut	<b>NA</b>	N.cm
Mating life	<b>500</b>	Cycles mini
Weight	<b>9,8870</b>	g

Issue : 1045 B

In the effort to improve our products, we reserve the right to make changes judged to be necessary.

