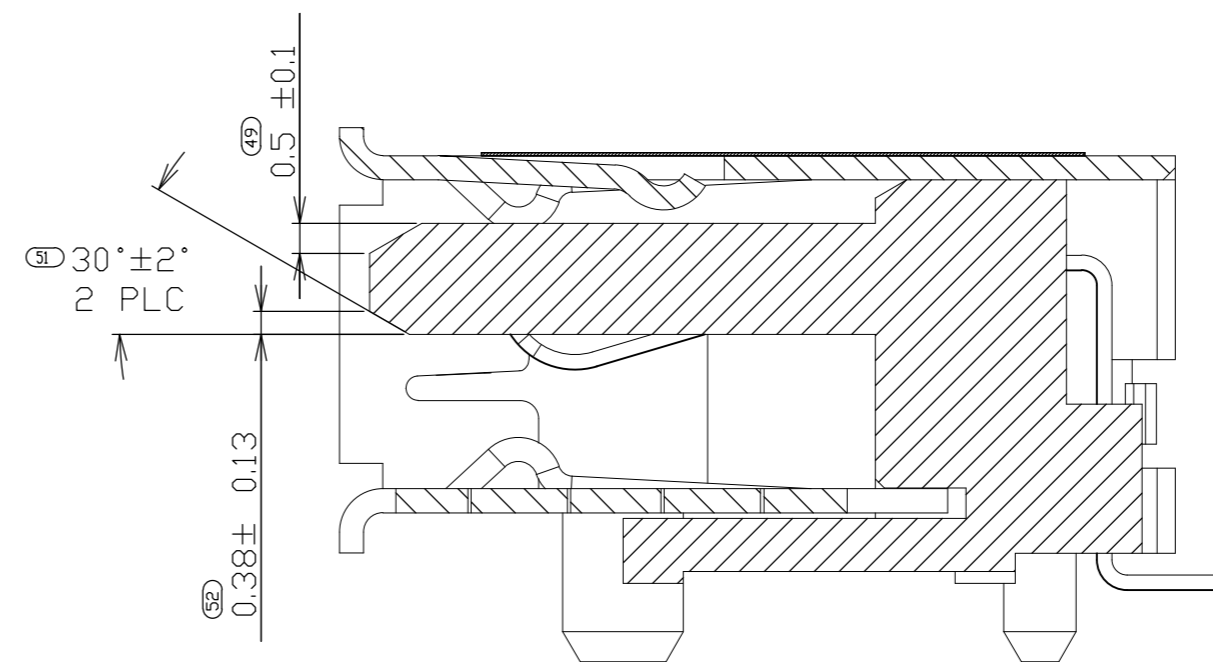
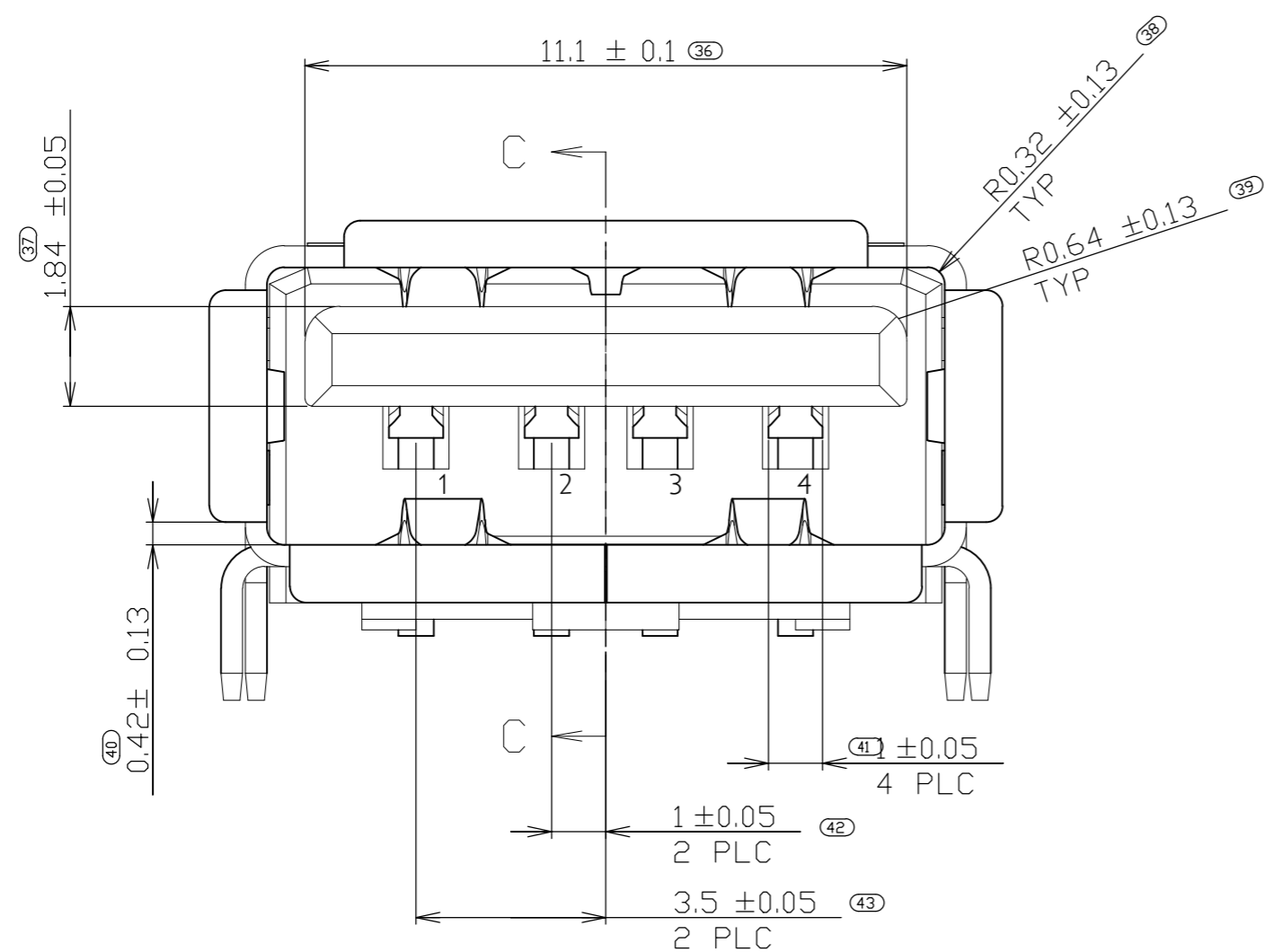


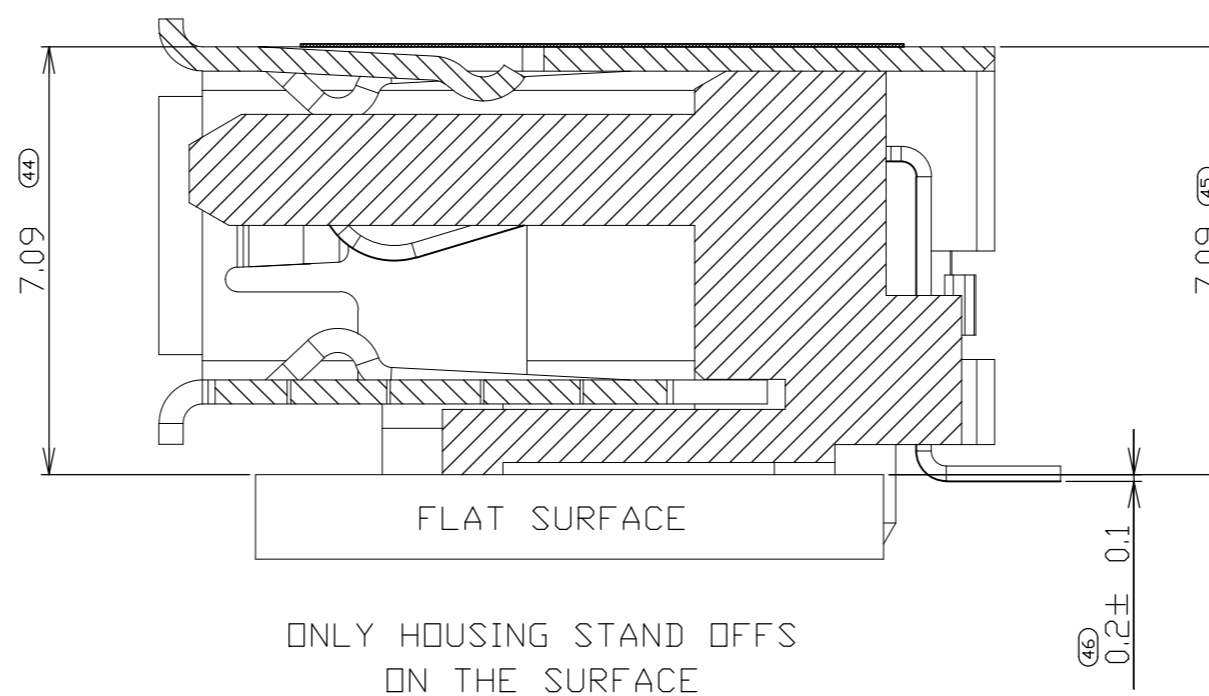



THIS DRAWING IS UNPUBLISHED. RELEASED FOR PUBLICATION  
 © COPYRIGHT - By - ALL RIGHTS RESERVED.

LOC		DIST		REVISIONS			
P	LTR	DESCRIPTION	DATE	DWN	APVD		
-	-	SEE SHEET 1	-	-	-	-	-



SECTION C-C

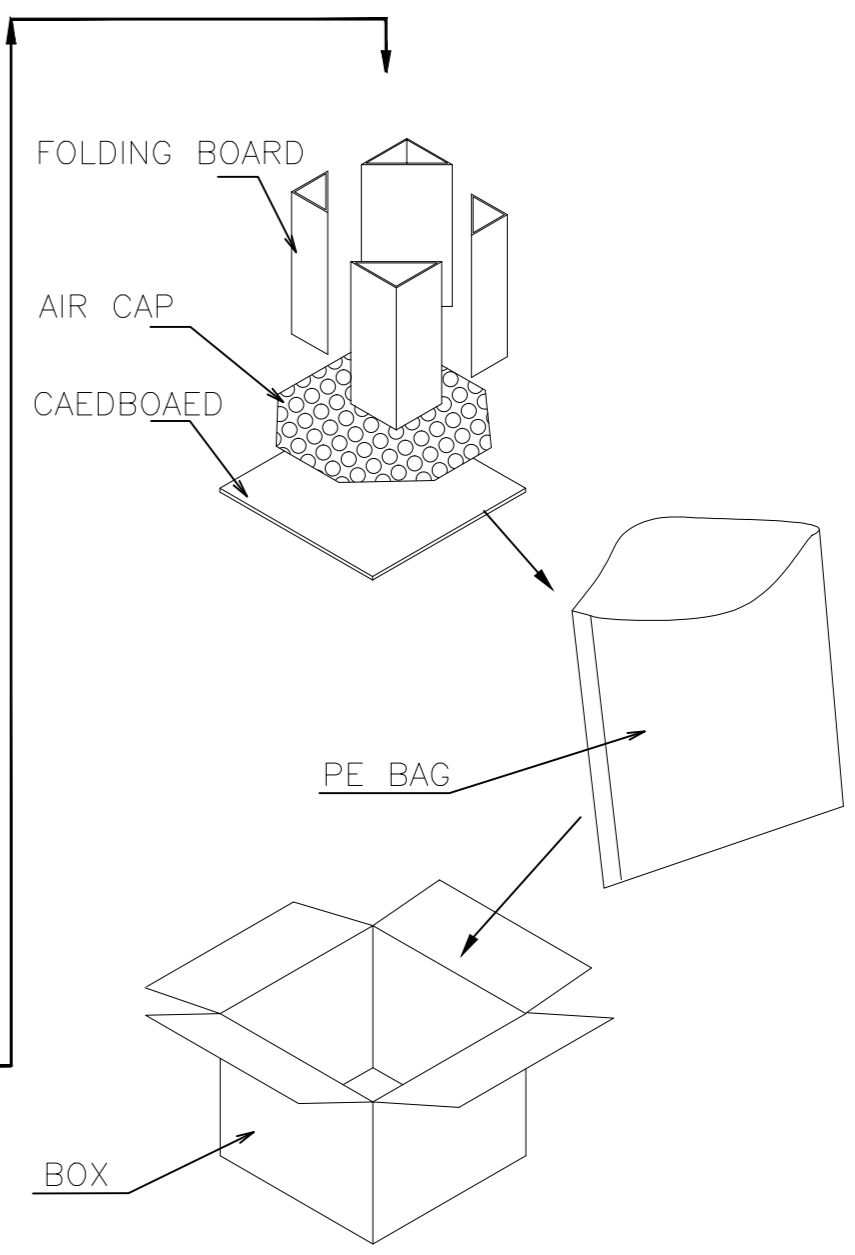
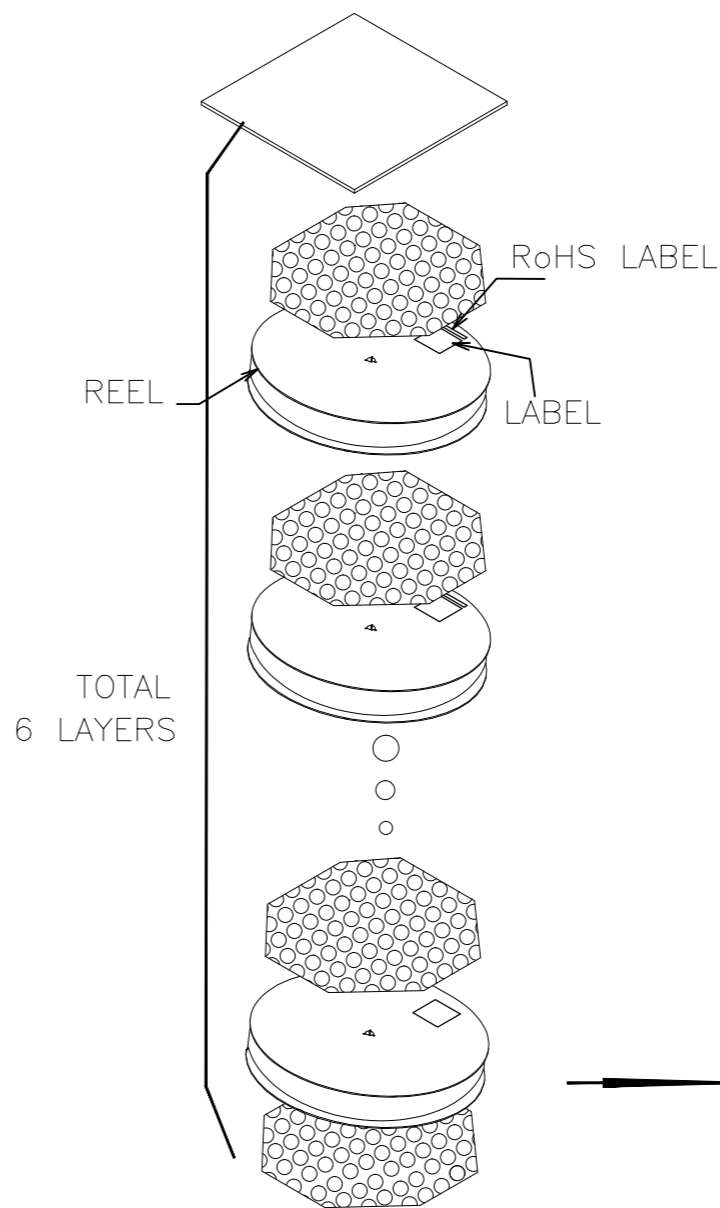
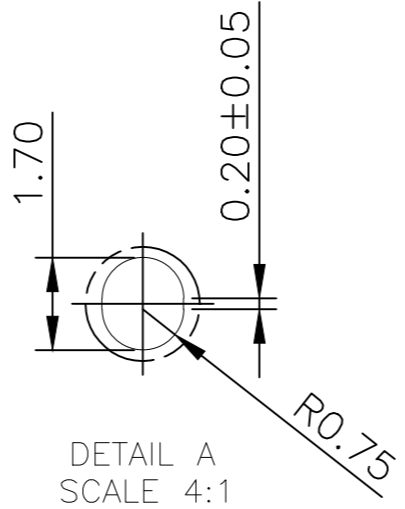
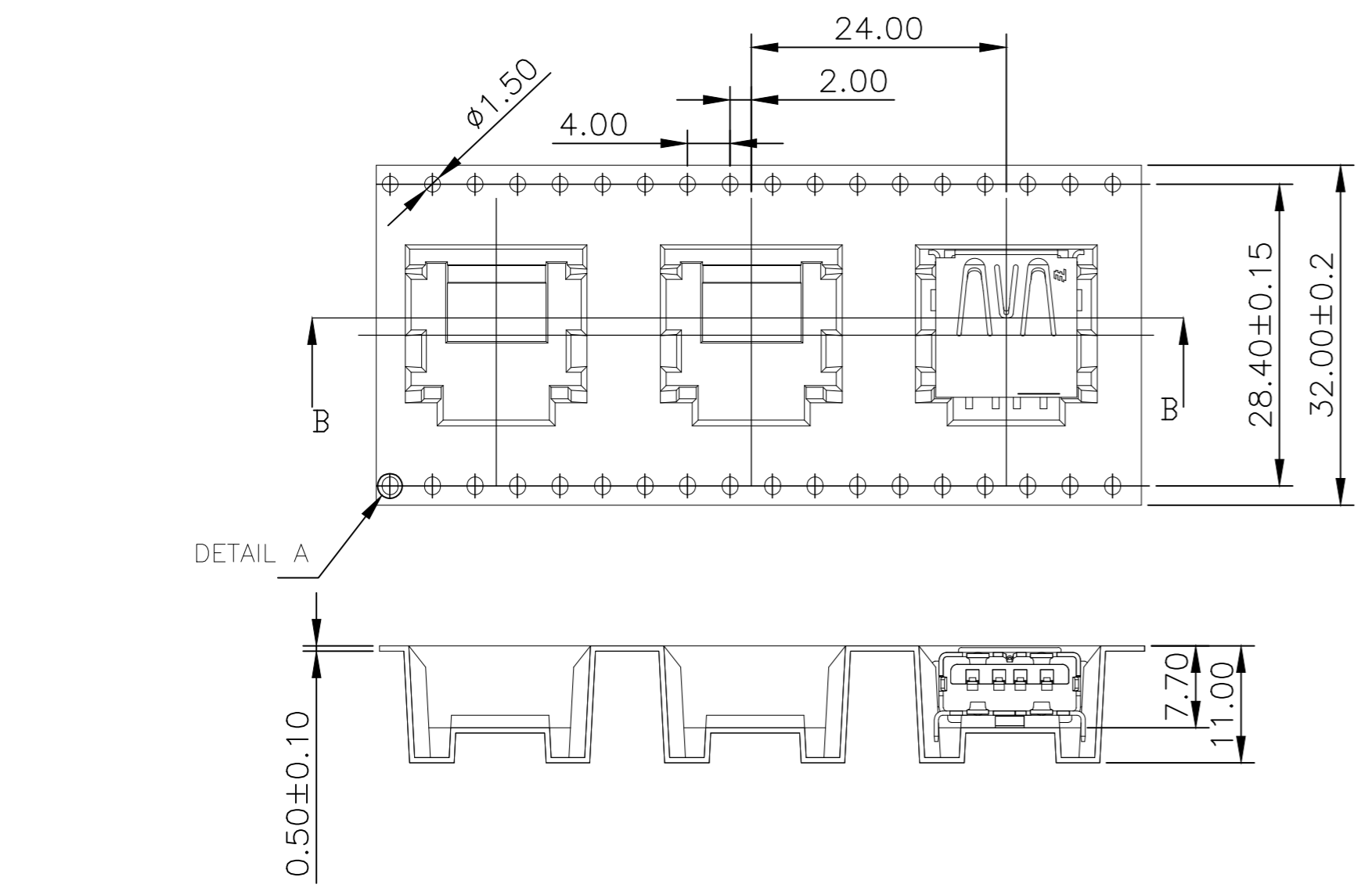
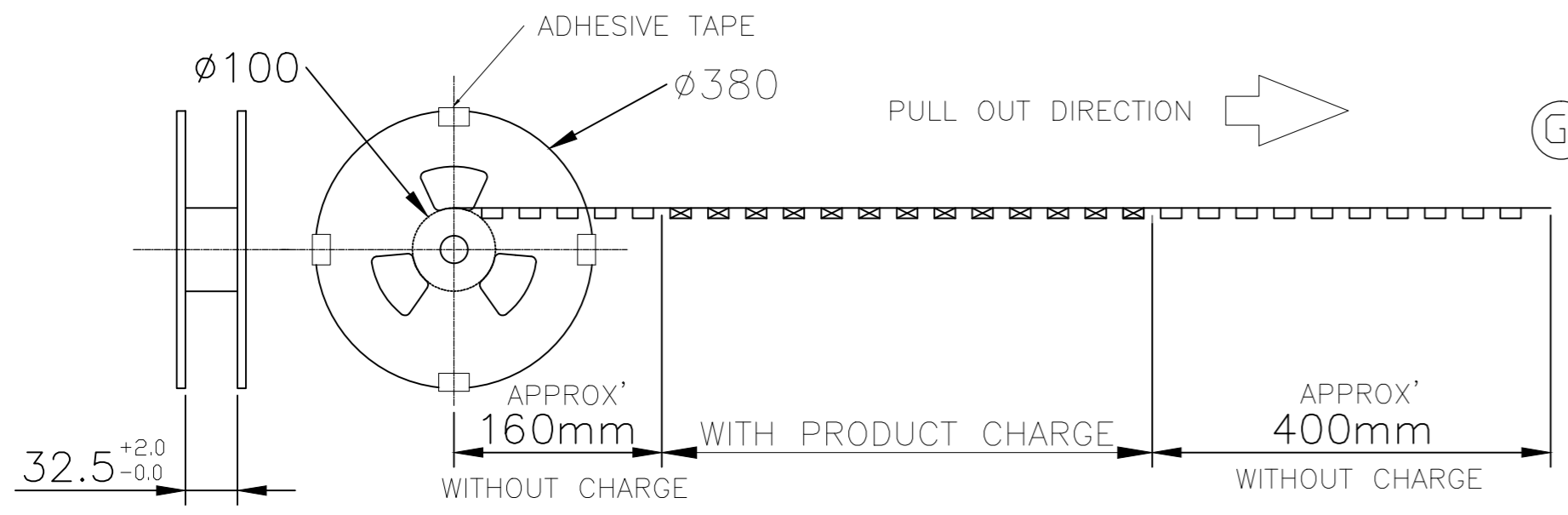


THIS DRAWING IS A CONTROLLED DOCUMENT.		DWN ADAMS LV 21SEP2013	 TE Connectivity	
DIMENSIONS: mm		CHK MARTIN LI 21SEP2013		
TOLERANCES UNLESS OTHERWISE SPECIFIED:		APVD STEVEN YAO 21SEP2013	NAME RECEPTACLE ASSEMBLY RIGHT ANGLE SMT USB 2.0	
0 PLC ± 0.25 1 PLC ± 0.20 2 PLC ± 0.20 3 PLC ± 0.15 4 PLC ± 0.15 ANGLES ± 3		PRODUCT SPEC 108-60034	RESTRICTED TO	
MATERIAL		APPLICATION SPEC	SIZE A2	CAGE CODE 00779
FINISH		WEIGHT	DRAWING NO. C-1932638	SCALE NTS
		CUSTOMER DRAWING	SHEET 2 of 3	REV G1

THIS DRAWING IS UNPUBLISHED. RELEASED FOR PUBLICATION  
 © COPYRIGHT - By - ALL RIGHTS RESERVED.

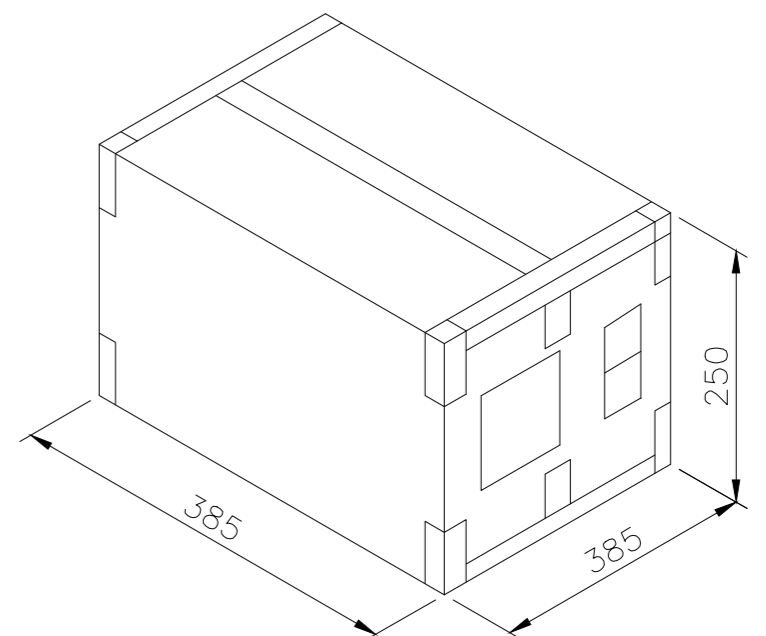
LOC		DIST		REVISIONS			
P	LTR	DESCRIPTION	DATE	DWN	APVD		
-	-	-	-	-	-	-	-

# FOR 1932638-3/4/5 PACKAGE



8.42KG	4.284KG	350	6	2100
GROSS WEIGHT	NET WEIGHT	PCS/ REEL	REEL/ BOX	PCS/ BOX

DATECODE  
 XXXXXXXX  
 LINE OF MANUFACTORY  
 DAY OF WEEK  
 WEEK  
 YEAR



- NOTES :
- PACKAGING MATERIAL IN PLASTIC, RUBBER, INK, PIGMENT AND PAINT MUST MEET CONTROLLED SUBSTANCES PER TEC-138-702
    - \* CADMIUM AND CADMIUM COMPOUNDS NOT TO EXCEED: 5 PPM.
    - \* LEAD, CADMIUM, CHROM VI AND MERCURY NOT TO EXCEED: 100 PPM (COMBINED).
    - \* CARRIER TAPES, COVER TAPES, REELS AND TAPED COMPONENTS MUST MEET THE REQUIREMENTS DEFINED PER EIA-481-B.
  - MATERIAL :
    - COVER TAPE : PS, COLOR: TRANSPARENT.
    - CARRIER TAPE : HIPS, COLOR: TRANSPARENT.
    - REEL : PC BLUE
    - SHIPPING BOX: CORRUGATED FIBER

THIS DRAWING IS A CONTROLLED DOCUMENT.		DWN ADAMS LV 21SEP2013	TE Connectivity <b>RECEPTACLE ASSEMBLY RIGHT ANGLE SMT USB 2.0</b>	
DIMENSIONS: mm		CHK MARTIN LI 21SEP2013		
TOLERANCES UNLESS OTHERWISE SPECIFIED:		APVD STEVEN YAO 21SEP2013	NAME	
0 PLC ± 0.25 1 PLC ± 0.20 2 PLC ± 0.20 3 PLC ± 0.15 4 PLC ± 0.15 ANGLES ± 3		PRODUCT SPEC 108-60034	RESTRICTED TO	
MATERIAL		APPLICATION SPEC	SIZE A2	CAGE CODE 00779
FINISH		WEIGHT	DRAWING NO C-1932638	SCALE NTS
		CUSTOMER DRAWING	SHEET 3 of 3	REV G1