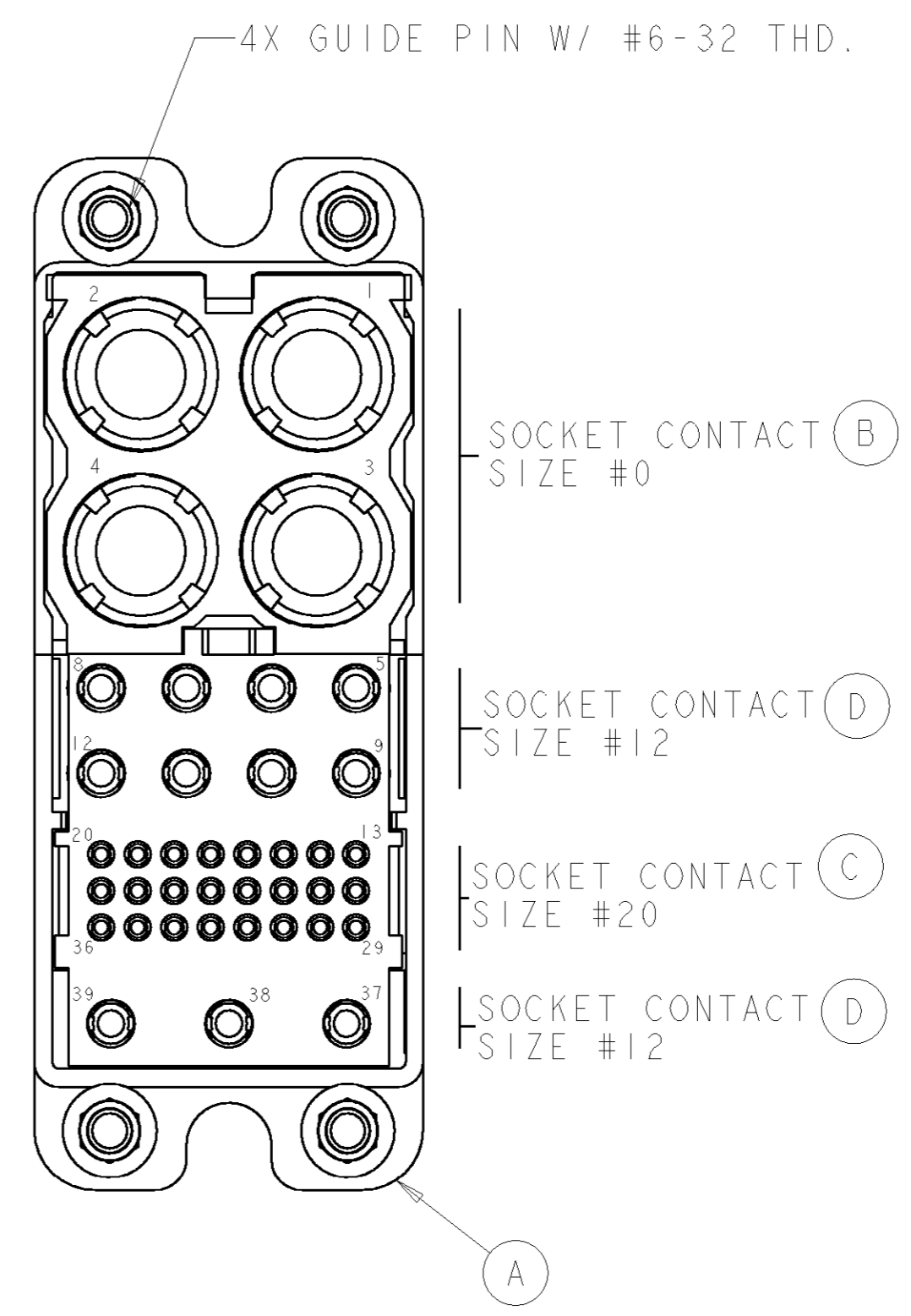
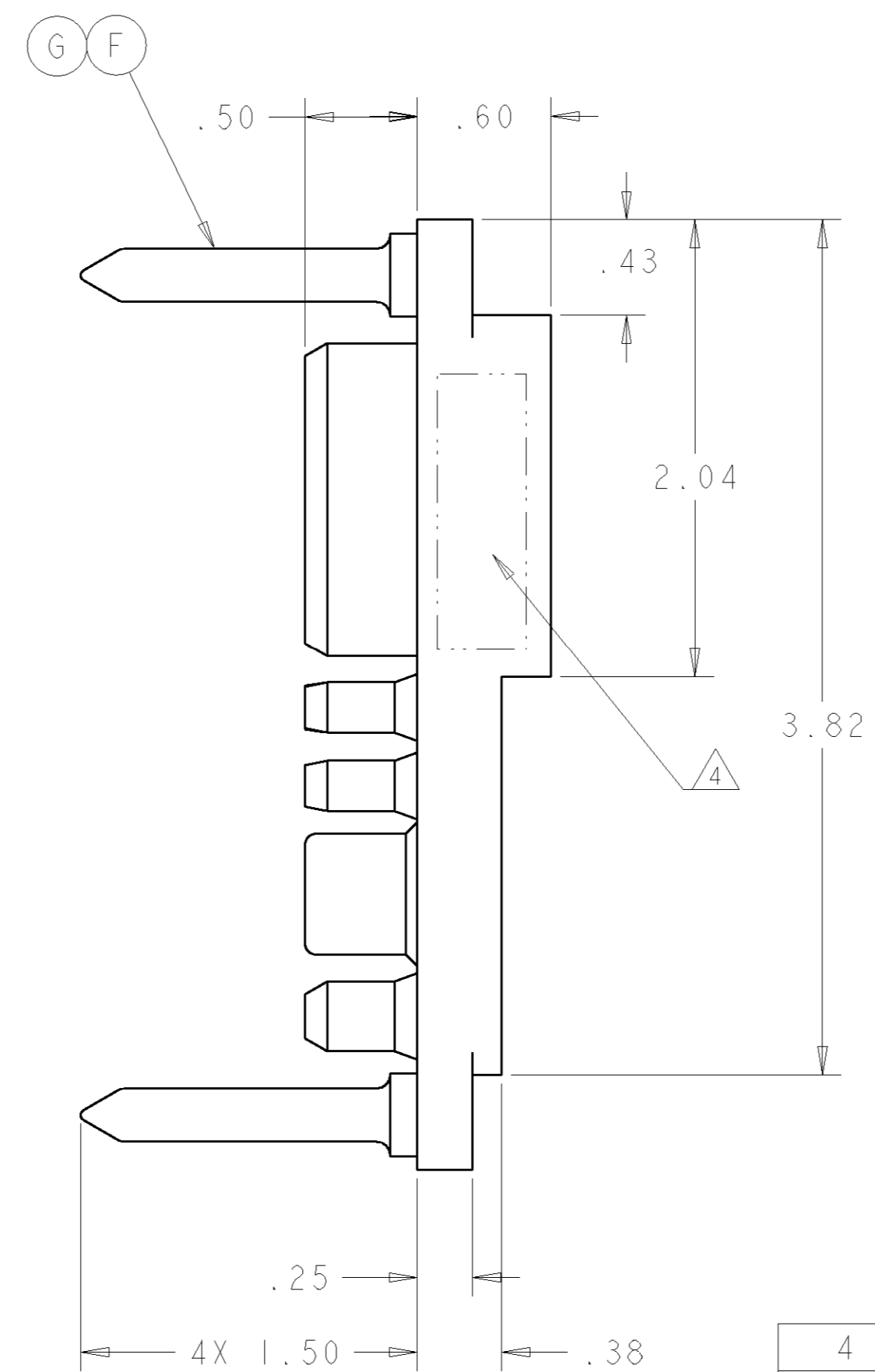
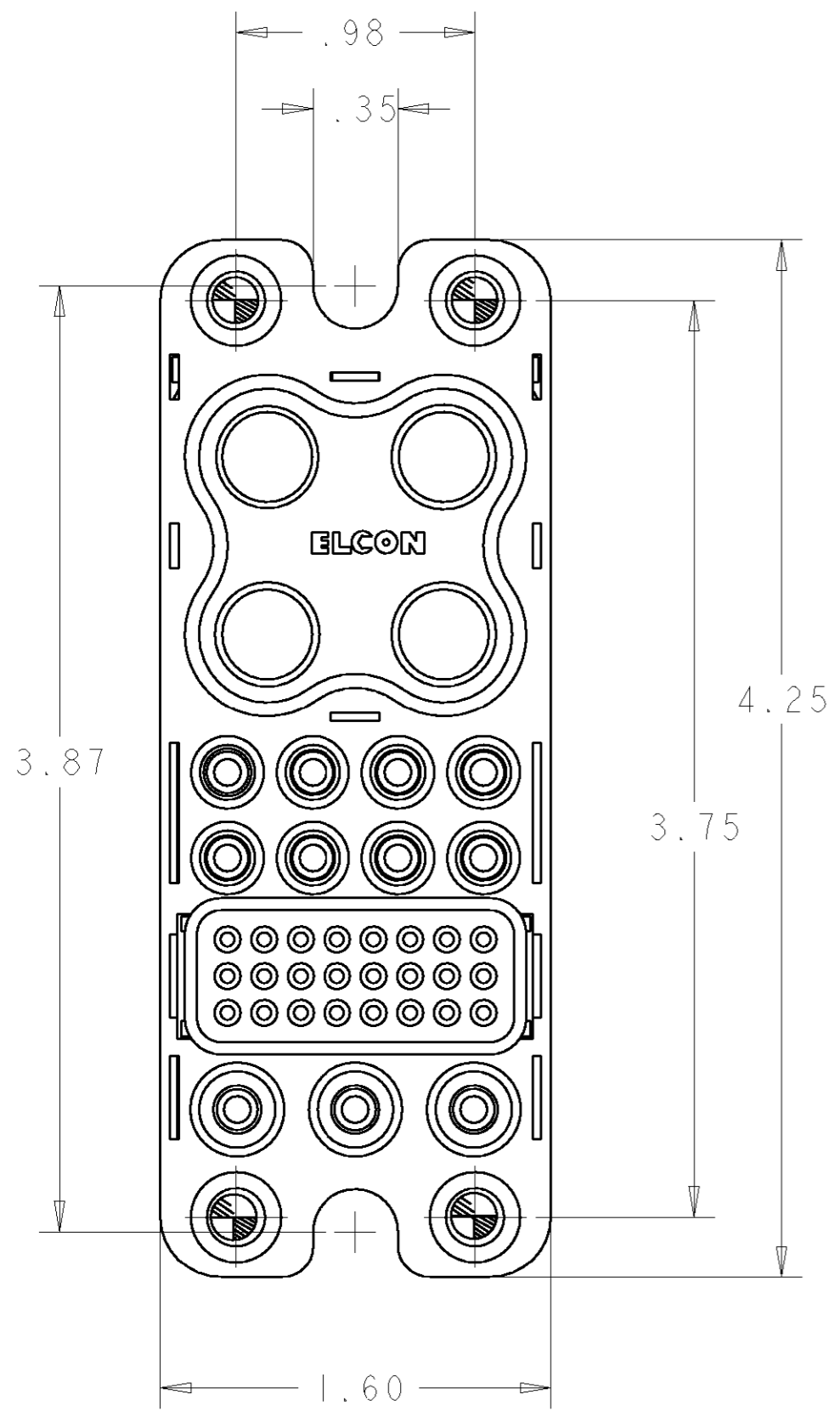


THIS DRAWING IS UNPUBLISHED. RELEASED FOR PUBLICATION 20
 © COPYRIGHT 20 BY TYCO ELECTRONICS CORPORATION. ALL RIGHTS RESERVED.

LOC	DIST	REVISIONS					
GP	00	P	LTR	DESCRIPTION	DATE	DWN	APVD
		A		NEW RELEASE	16APR2007	RG	DO



4	1650094-2	LOCKING COLLAR, 3/8 DIA.	G	
4	1650560-1	GUIDE PIN, 1/4 DIA., 6-32 INT. THD	F	
5	2	1650399-1	SCREW, NO. 10-32 UNC 2A	E
5	11	6648318-1	CONTACT, SOCKET, #12, CRIMP	D
5	10	1648325-1	CONTACT, SOCKET, #20, CRIMP	C
5	4	6648405-1	CONTACT, SOCKET, #0 CRIMP	B
	1	1648578-2	CONNECTOR, SOCKET	A
-1	PART NUMBER	DESCRIPTION	ITEM	

ELCON DRAWER

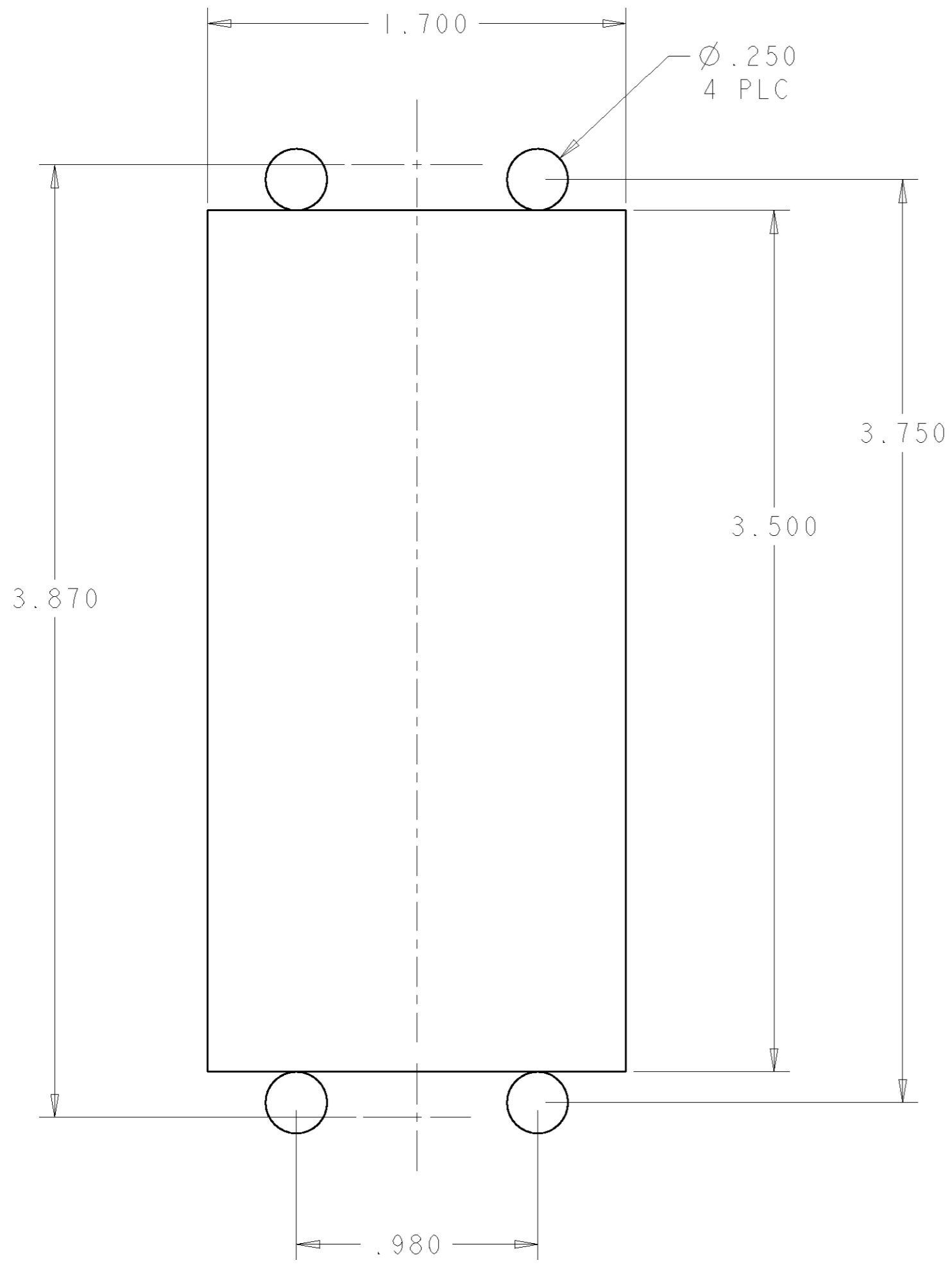
THIS DRAWING IS A CONTROLLED DOCUMENT FOR TYCO ELECTRONICS CORPORATION. IT IS SUBJECT TO CHANGE AND THE CONTROLLING ENGINEERING ORGANIZATION SHOULD BE CONTACTED FOR THE LATEST REVISION.

DIMENSIONS: INCHES	TOLERANCES UNLESS OTHERWISE SPECIFIED:	DWN: R. GRZYBOWSKI 21MAR07	Tyco Electronics Harrisburg, PA 17105-3608
		CHK: D. ORRIS 21MAR07	
		APVD: S. FLICKINGER 21MAR07	NAME: DOUBLE DRAWER CONNECTOR SOCKET
MATERIAL:	FINISH:	PRODUCT SPEC:	SIZE: A2
		APPLICATION SPEC:	CAGE CODE: 00779
		WEIGHT:	DRAWING NO: 1926460
		CUSTOMER DRAWING	RESTRICTED TO: -

SCALE: 2:1 SHEET 1 OF 2 REV A

THIS DRAWING IS UNPUBLISHED. RELEASED FOR PUBLICATION 20
 © COPYRIGHT 20 BY TYCO ELECTRONICS CORPORATION. ALL RIGHTS RESERVED.

LOC	DIST	REVISIONS					
GP	00	P	LTR	DESCRIPTION	DATE	DWN	APVD
		-		SEE SHEET 1			



- PART NUMBER CHANGES AND OR DESIGN CHANGES AFFECTING THE INTERCHANGEABILITY REQUIRE PRIOR TYCO APPROVAL AND AUTHORIZATION BY REVISION TO THIS DRAWING.
- MATERIAL:
 INSULATOR: THERMOPLASTIC, GLASS REINFORCED, UL 94V-0
 FLAMMABILITY RATED, COLOR: BLACK
 SOCKET CONTACT: COPPER ALLOY
 RETENTION CLIP: BERYLLIUM COPPER
 CROWN BAND: BERYLLIUM COPPER
 GUIDE PIN: STAINLESS STEEL
 FLOAT MOUNT SCREW: STAINLESS STEEL
- FINISH:
 SOCKET BODY SIZE #20: GOLD PLATE .000010 MIN. THK. OVER NICKEL
 .000040 MIN. THK.
 SOCKET BODY SIZE #12 & 0: SILVER PLATE .000200 MIN THK. OVER
 NICKEL .000040 MIN. THK.
 CROWN BAND: GOLD PLATE .000030 MIN THK. OVER
 NICKEL .000040 MIN. THK.

△ ITEMS PROVIDED TO THIS SPECIFICATION TO BE PERMANENTLY IDENTIFIED PER THE FOLLOWING IDENTIFIER:

TYCO PART NUMBER: XXXXXXXX-X
 DATE CODE (e.g. 0216): YEAR WEEK (XXXX)

△ CRIMP CONTACTS AND SCREWS (ITEM B, C, D & E) SHALL BE PACKAGED SEPARATELY AND PLACED IN THE BOX WITH THE CONN. ASSEMBLY.

SUGGESTED PANEL CUTOUT
 VIEWED FROM CONNECTOR MOUNTING SIDE

THIS DRAWING IS A CONTROLLED DOCUMENT FOR TYCO ELECTRONICS CORPORATION. IT IS SUBJECT TO CHANGE AND THE CONTROLLING ENGINEERING ORGANIZATION SHOULD BE CONTACTED FOR THE LATEST REVISION.		DWN R. GRZYBOWSKI 21MAR07	tyco Electronics Tyco Electronics Harrisburg, PA 17105-3608	
DIMENSIONS: INCHES		CHK D. ORRIS 21MAR07	NAME DOUBLE DRAWER CONNECTOR SOCKET	
TOLERANCES UNLESS OTHERWISE SPECIFIED: 0 PLC ± 1 PLC ± 2 PLC ±.02 3 PLC ±.010 4 PLC ± ANGLES ±.5		APVD S. FLICKINGER 21MAR07	RESTRICTED TO	
MATERIAL		PRODUCT SPEC -	SIZE A200779	DRAWING NO. C-1926460
		APPLICATION SPEC -	SCALE 2:1	SHEET 2 OF 2
		WEIGHT -	REV A	
		CUSTOMER DRAWING		