

6

5

4

3

2

1

E

E

D

D

C

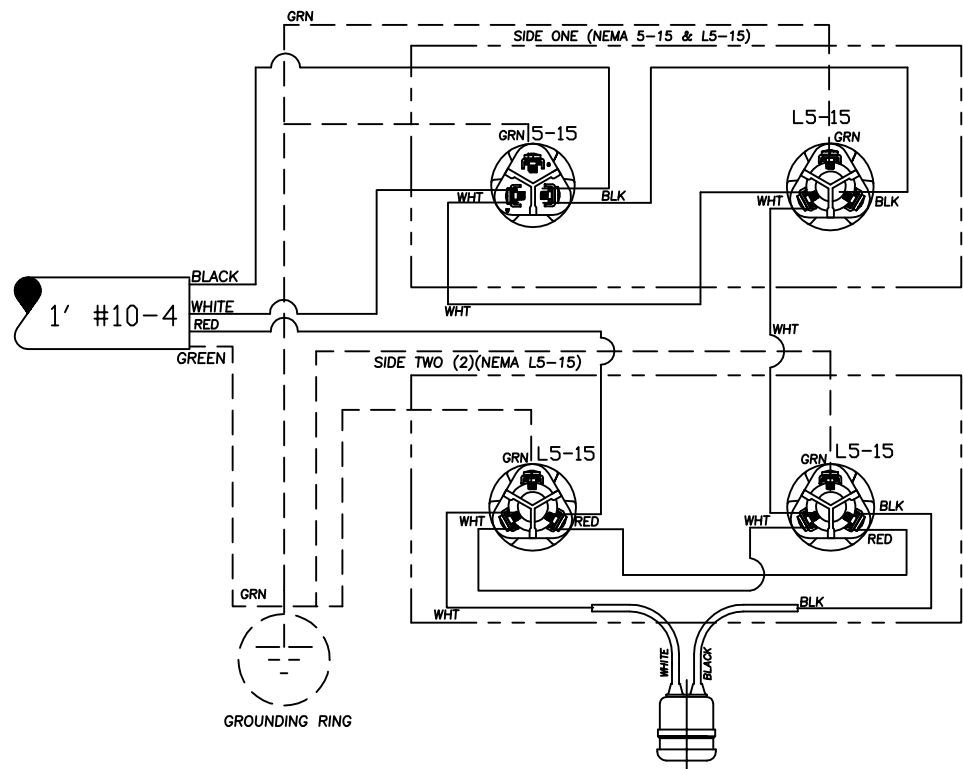
C

B

B

A

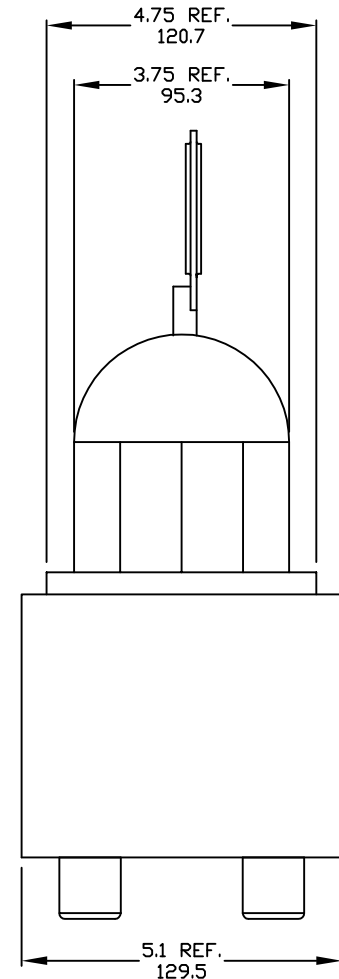
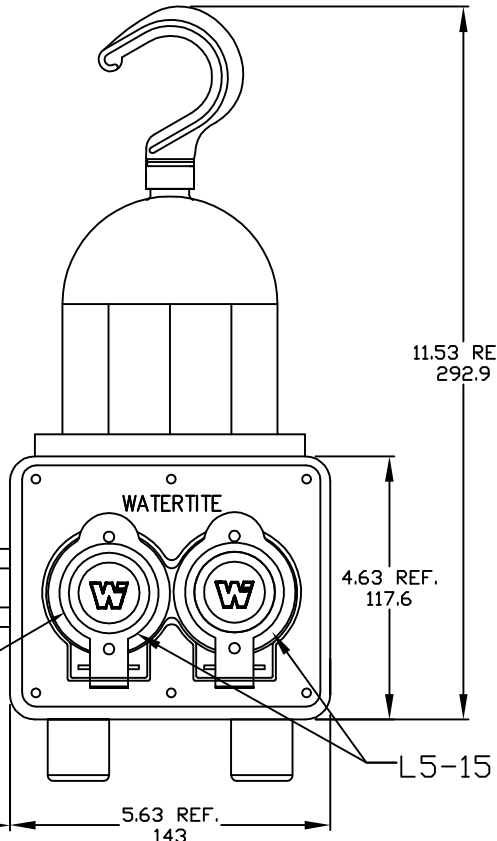
A



1 FT #10-4
SDDW CABLE

MAX-LDC
MESH GRIP

FLIP-LID
COVERPLATE



| | | | | | | | | | | | | | | | | | | | | |
|--|---|---|-------|----|------|----------|-------|-------|----------|-------|-------|----------|-------|-------|---------|-------|-------|---|--|--|
| CUSTOMER DRAWING EC NO: WNA2009-0236 DRWN: HKNEELAN 2008/10/08 CHKD: HK 2008/10/08 APPR: DITLUS 2008/11/11 REV DESCRIPTION | QUALITY SYMBOLS $\nabla=0$ $\sphericalangle=0$ | GENERAL TOLERANCES (UNLESS SPECIFIED) <table border="1"> <tr> <td></td> <td>mm</td> <td>INCH</td> </tr> <tr> <td>4 PLACES</td> <td>±----</td> <td>±----</td> </tr> <tr> <td>3 PLACES</td> <td>±----</td> <td>±.005</td> </tr> <tr> <td>2 PLACES</td> <td>±0.13</td> <td>±.010</td> </tr> <tr> <td>1 PLACE</td> <td>±0.25</td> <td>±.020</td> </tr> </table> | | mm | INCH | 4 PLACES | ±---- | ±---- | 3 PLACES | ±---- | ±.005 | 2 PLACES | ±0.13 | ±.010 | 1 PLACE | ±0.25 | ±.020 | DIMENSION STYLE INCH/MM DRAWN BY: HK DATE: 2008/10/08 CHECKED BY: PH DATE: 2008/10/08 APPROVED BY: HK DATE: 2008/10/08 MATERIAL NO.: 1301350346 | SCALE: NTS DESIGN UNITS: INCH THIRD ANGLE PROJECTION | TITLE 32W90-2 LIGHTED BOX 1FT. #10-4 CABLE (1)5-15 (3)L5-15 MOLEX INCORPORATED DOCUMENT NO.: SD-130135-007 SHEET NO.: 1 OF 1 |
| | | mm | INCH | | | | | | | | | | | | | | | | | |
| | 4 PLACES | ±---- | ±---- | | | | | | | | | | | | | | | | | |
| | 3 PLACES | ±---- | ±.005 | | | | | | | | | | | | | | | | | |
| | 2 PLACES | ±0.13 | ±.010 | | | | | | | | | | | | | | | | | |
| 1 PLACE | ±0.25 | ±.020 | | | | | | | | | | | | | | | | | | |
| DRAFT WHERE APPLICABLE MUST REMAIN WITHIN DIMENSIONS | | SIZE: A THIS DRAWING CONTAINS INFORMATION THAT IS PROPRIETARY TO MOLEX INCORPORATED AND SHOULD NOT BE USED WITHOUT WRITTEN PERMISSION | | | | | | | | | | | | | | | | | | |