

REV.	REGION	DESCRIPTION	DATE	DWN
00		Preliminary released	18.Feb.20	Bob

SPECIFICATIONS:

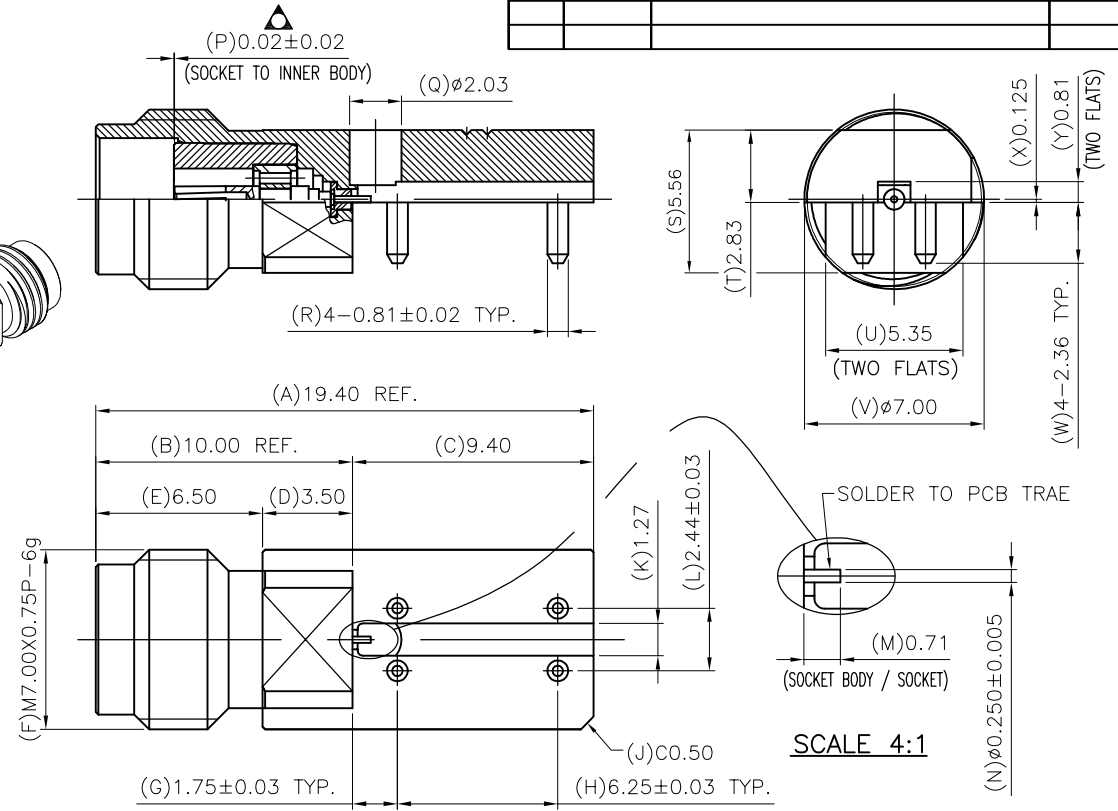
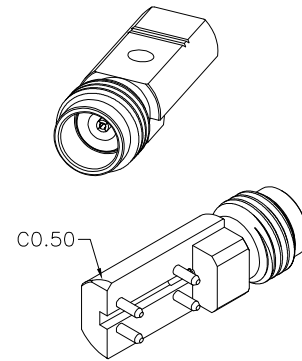
ELECTRICAL RATINGS

Impedance	50 ohm
Frequency Range	0 ~ 50 GHz
V.S.W.R.	1.30 max. at 50 GHz
Insertion Loss	≤ 0.42 DB at 50 GHz
Working Voltage (at Sea Level)	400 V RMS max.
Dielectric Withstanding Voltage (at Sea Level)	500 V RMS min.
Contact Resistance	
Center Contact	1.5 Milliohms max.
Outer Contact	0.8 Milliohms max.
Insulation Resistance	5000 megohms min.
Temperature Range	-55°C to +85°C
Durability	≥ 500 Cycles

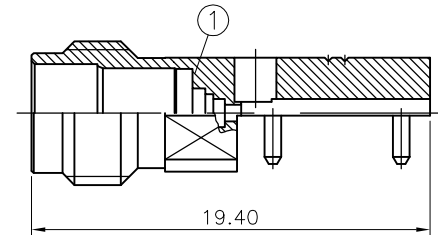
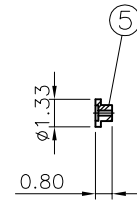
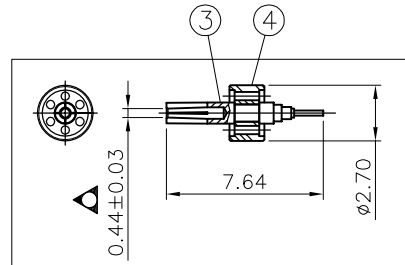
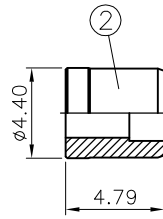
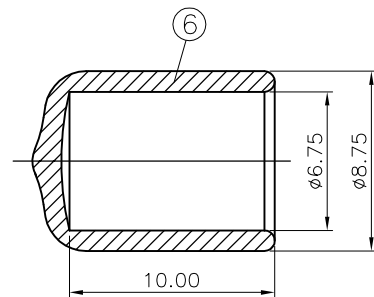
NOTES:

- These characteristics are typical and for reference.
- ▲ Represents a critical dimension.
- ▲ Pushout force for insulator: 44.48 N (10 LB) min.
- ▲ Pushout force for pin: 13.35 N (3 LB) min.
- Ⓜ Product to be packaged 100 parts per tray.
(1 part per pocket)
- Ⓜ Protection cap must be installed before packing.

RoHS Compliant



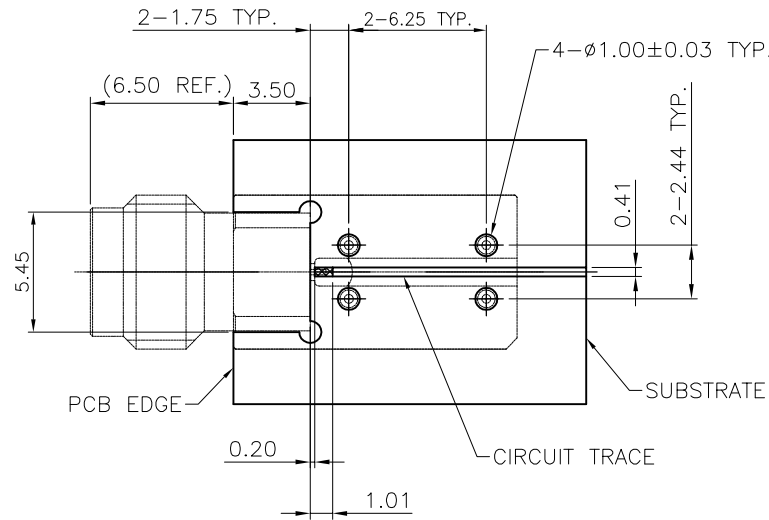
SCALE 4:1



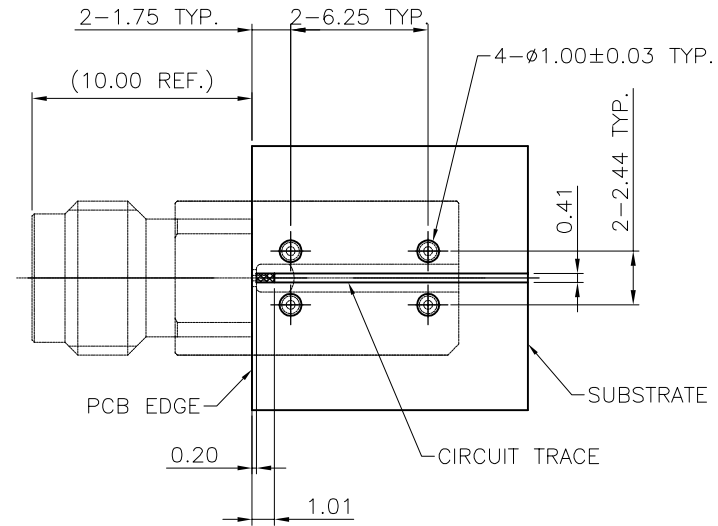
ITEM	DESCRIPTION	MATERIAL	FINISH	Q'TY
6	PROTECTION CAP	SOFT PVC (PURPLE)	N/A	1
5	INSULATOR 2	PTFE (WHITE)	N/A	1
4	INSULATOR 1	PTFE (WHITE)	N/A	1
3	SOCKET	BeCu C17300	Cu0.75um Ni2.50um Au0.75um	1
2	INNER BODY	BRASS C3604B	Cu0.75um Ni2.50um Au0.25um	1
1	BODY	BRASS C3604B	Cu0.75um Ni2.50um Au0.25um	1

▲ KEY DIMENSION NEED 100% INSPECTION (XX) REF. DIMENSION FOR REF. ONLY	Drawn: Bob		Dongguan City, Guangdong P.R. China 523533	
	Checked: Emad			
Information contained on this drawing is confidential and may also contain proprietary CARLISLE/customer information. Drawing content is only intended for use of the above customer. If you are not the intended recipient or authorized employee of above company name, you are hereby notified any use, duplication, reconstruction, or distribution of drawing information is strictly prohibited.	Approved: Emad	Material: SEE BOM	Project Name:	
		Part Numble: TMB-E4FS-1ST	2.40mm STR. JACK EDGE MOUNT (WITH FEET), PCB CONNECTOR, WITH .010" PIN	
	SIZE A4		Part Name: Connector Assembly	Revision: 00
			Data: 18.Feb.20	
DO NOT SCALE DRAWING			SHEET 1 OF 2	

REV.	REGION	DESCRIPTION	DATE	DWN
00		Preliminary released	18.Feb.20	Bob


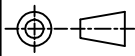


(OPTION 1)



(OPTION 2)

RECOMMENDED PCB LAYOUT

<p>▲ KEY DIMENSION NEED 100% INSPECTION</p> <p>(XX) REF. DIMENSION FOR REF. ONLY</p>	Drawn: Bob		Dongguan City, Guangdong P.R. China 523533	
	Checked: Emad		Approved: Emad	Material: SEE BOM
<p>Information contained on this drawing is confidential and may also contain proprietary CARLISLE/customer information. Drawing content is only intended for use of the above customer. If you are not the intended recipient or authorized employee of above company name, you are hereby notified any use, duplication, reconstruction, or distribution of drawing information is strictly prohibited.</p>	Part Numble: TMB-E4FS-1ST		2.40mm STR. JACK EDGE MOUNT (WITH FEET), PCB CONNECTOR, WITH .010" PIN	
	SIZE A4		Part Name: Connector Assembly	Revision: 00
	DO NOT SCALE DRAWING			Date: 18.Feb.20