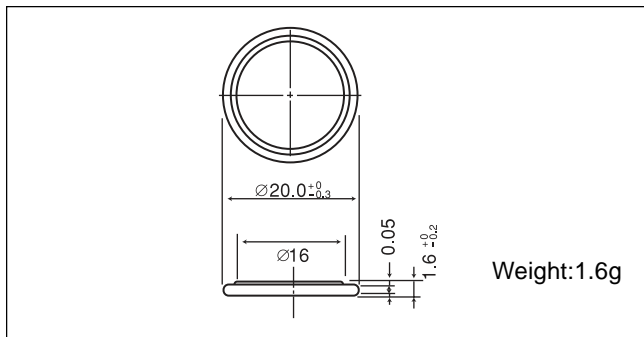


Manganese Dioxide Lithium Coin Batteries: Individual Specifications

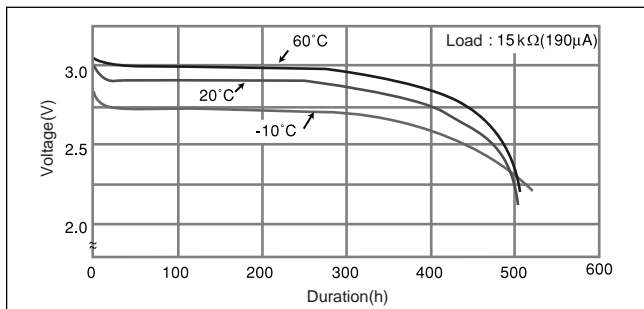
■ Dimensions(mm)



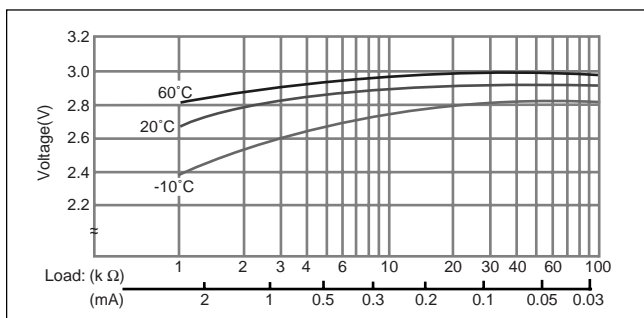
■ Specification

Nominal voltage (V)	3
Nominal capacity (mAh)	90
Continuous standard load (mA)	0.1
Operating temperature (C)	-30 ~ +60

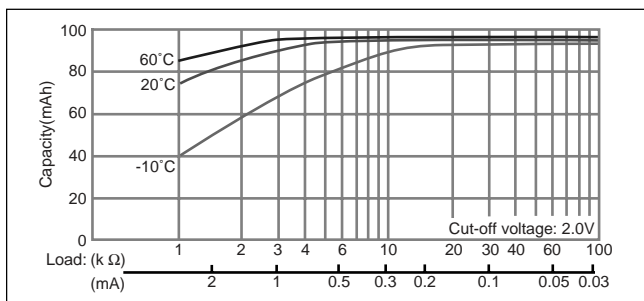
■ Temperature Characteristics



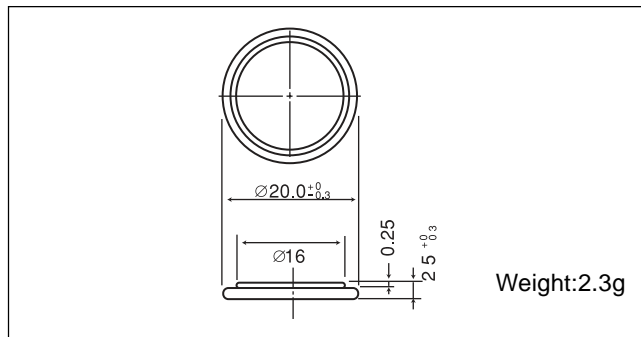
■ Operating voltage vs. load resistance (voltage at 50% discharge depth)



■ Capacity vs. load resistance



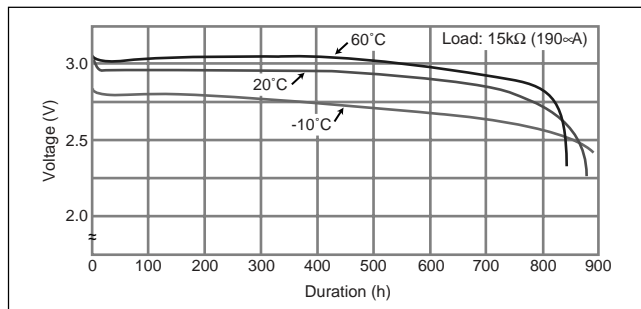
■ Dimensions(mm)



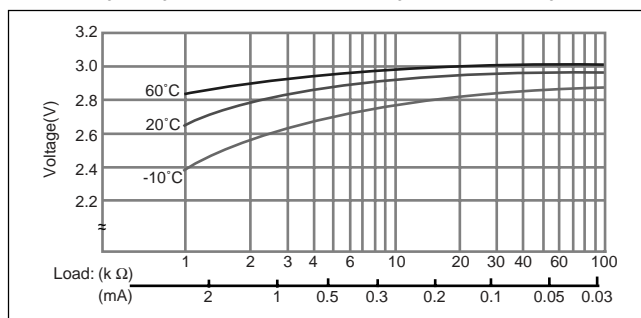
■ Specification

Nominal voltage (V)	3
Nominal capacity (mAh)	165
Continuous standard load (mA)	0.2
Operating temperature (C)	-30 ~ +60

■ Temperature Characteristics



■ Operating voltage vs. load resistance (voltage at 50% discharge depth)



■ Capacity vs. load resistance

