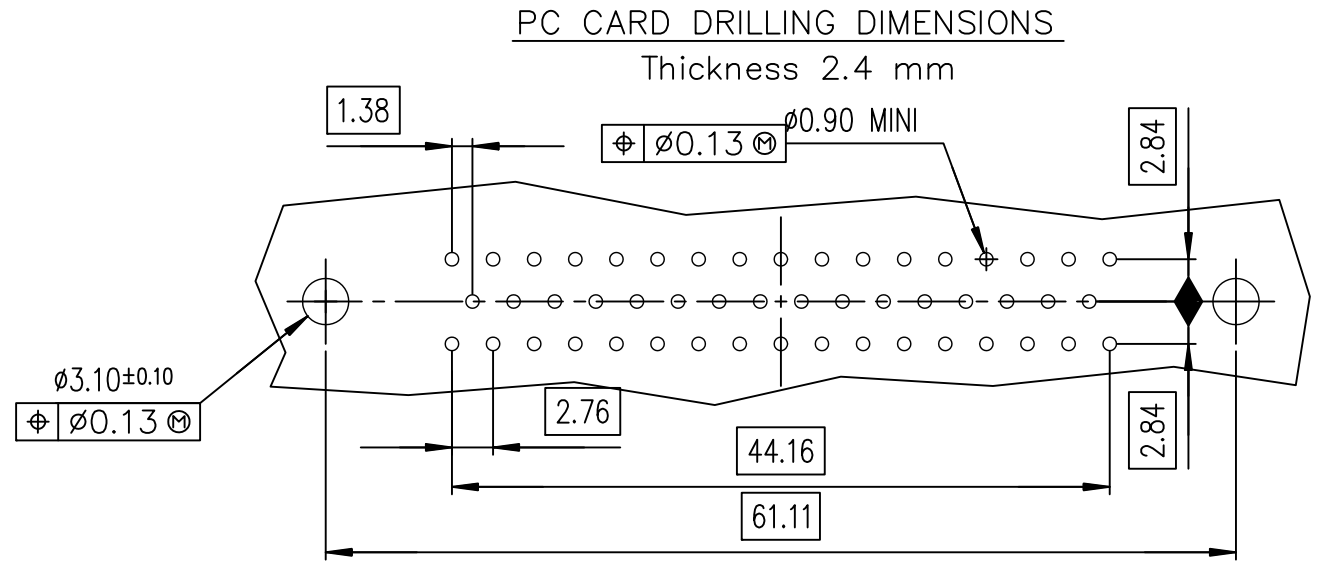
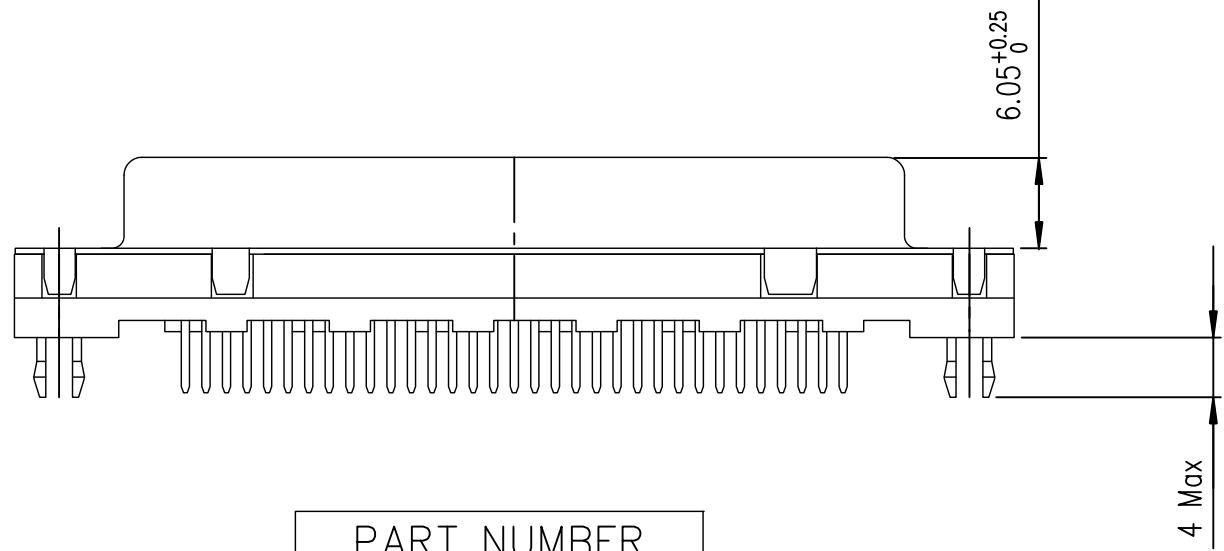
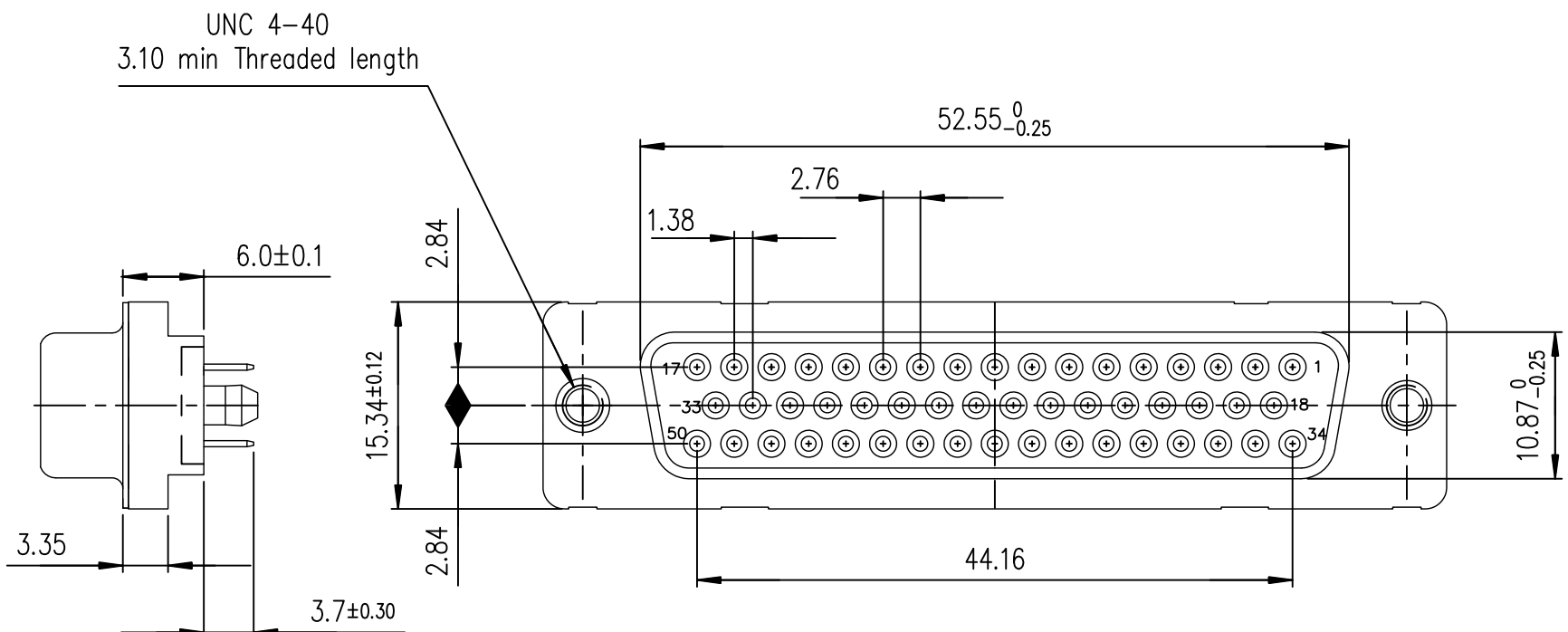
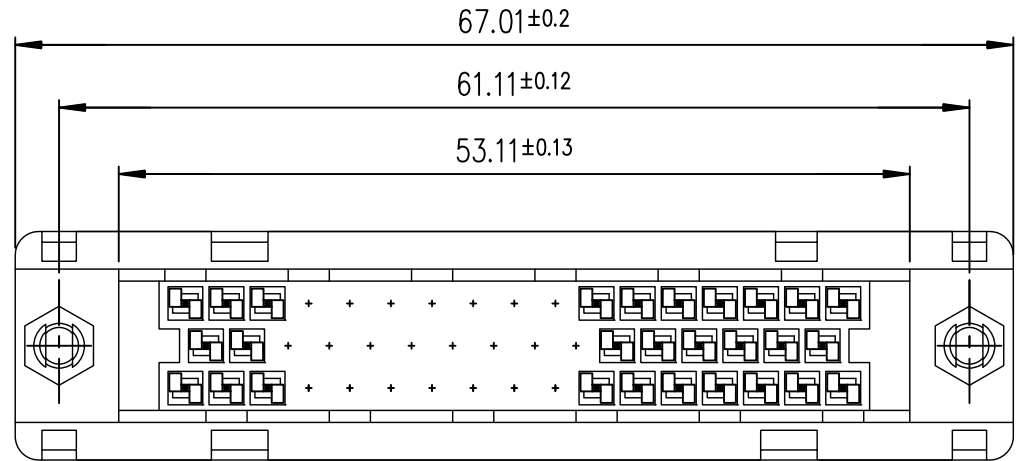




Copyright FCI



PART NUMBER  
D50S24B\*GX00LF

Plating: 4 --> Flash Au  
Plating: 6 --> 0.76μ Au

GENERAL CHARACTERISTICS AND ROHS INFORMATIONS:  
SEE DRAWING C01-8646-0000

|             |                |            |             |                                       |        |            |                                     |                              |              |
|-------------|----------------|------------|-------------|---------------------------------------|--------|------------|-------------------------------------|------------------------------|--------------|
| mat'l. code |                | surface    |             | tolerance                             |        | projection |                                     | product family               |              |
| -           |                | ISO 1302 ✓ |             | ISO 406 ISO 1101                      |        |            |                                     | D-SUB                        |              |
| ltr         | ecn no         | dr         | date        | tolerances unless otherwise specified |        |            |                                     |                              |              |
| C           | ELX-I-21654    | AB         | 2015-10-26  | angles                                | linear | MM         |                                     | title                        |              |
|             |                |            |             | 0°±2x'                                |        | scale 2:1  |                                     | FEMALE CONNECTOR 50          |              |
|             |                |            |             |                                       |        |            |                                     | STRAIGHT SOLDER HARPOON NUTS |              |
|             |                | dr         | PESSON      | 2000-12-20                            | FCI    |            | dwg no                              |                              | sheet 1 of 1 |
|             |                | enr        | MITHUN PAUL | 2015-10-26                            |        |            | C01-8646-0749                       |                              | A3           |
|             |                | chr        | ALIAS BABU  | 2015-10-26                            |        |            | type Product - Customer Drw Drawing |                              |              |
|             |                | app        | BIJU K PAUL | 2015-10-26                            |        |            |                                     |                              |              |
| sheet index | revision sheet | C          | 1           |                                       |        |            |                                     |                              |              |