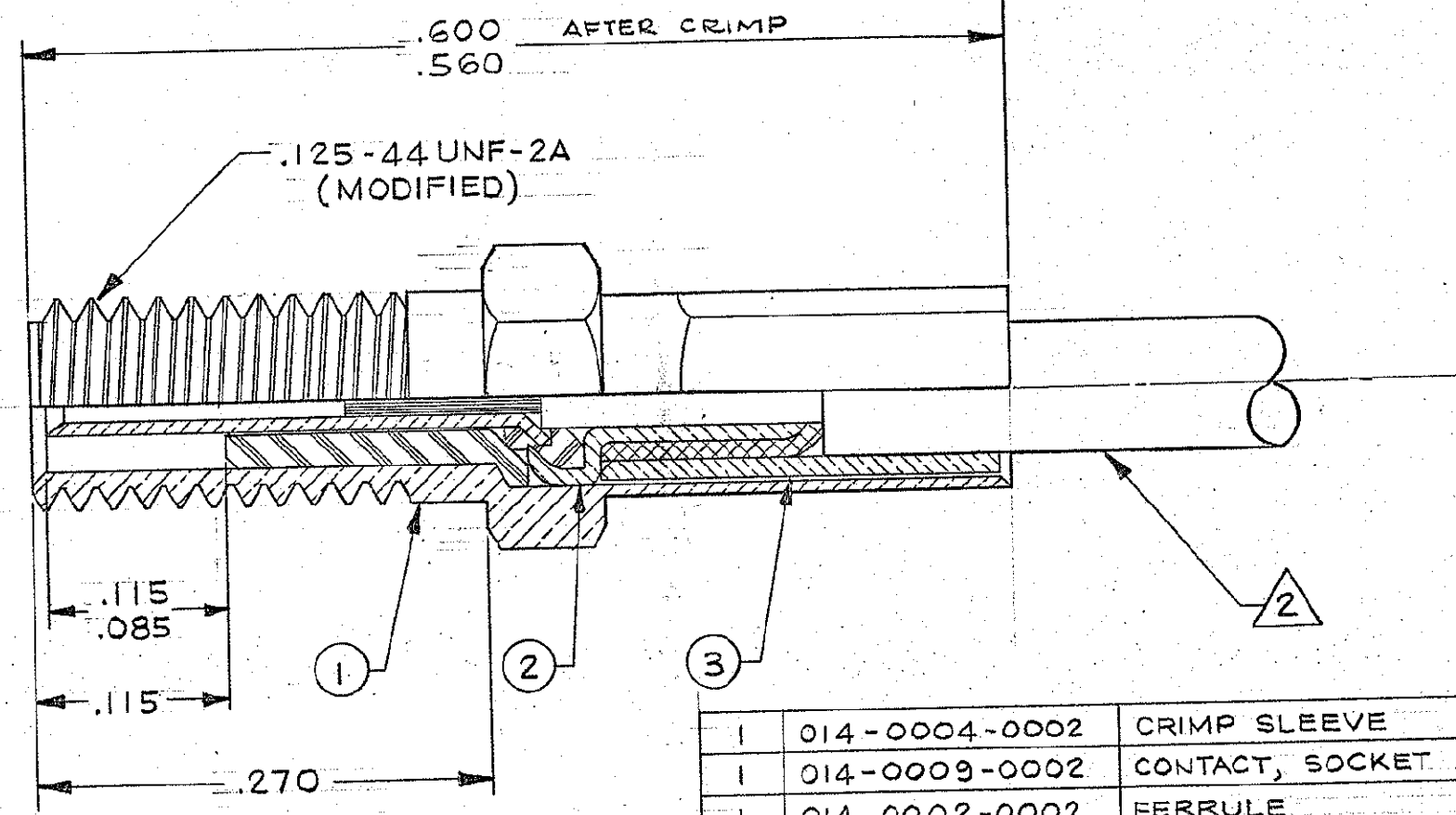
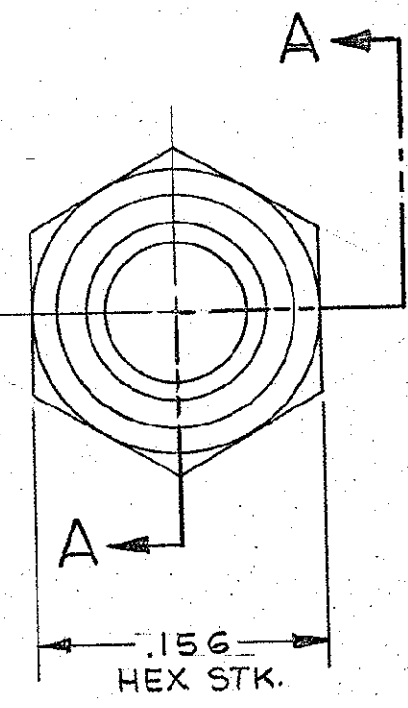


REVISIONS					
ZONE	LTR	ECN	DESCRIPTION	DATE	APPROVED
	D	23320	REVISED & REDRAWN	5-4-78	PM
	E	39702	UPDATE REV LETTER.	12-3-99	PM

SECTION A-A



- NOTES: UNLESS OTHERWISE SPECIFIED**
1. ALL METALLIC PARTS ARE GOLD PLATED PER MIL-G-45204, TYPE II, GRADE C, CLASS I.
 2. CABLE ACCEPTANCE DIMENSIONS - CENTER COND. .012 NOM., DIELECTRIC .040 MAX., JACKET .081 MAX.
 3. MATES WITH ALL LEPRA/CON 142 SCREW-ON SERIES PLUGS.
 4. SEE RF-ASMB-12 FOR CABLE ASSEMBLY INSTRUCTIONS. ASSY. TOOL REQUIRED: 010-0132-0000 FOR HOUSING AND 010-0150-0000 FOR CONTACT.

QTY.	PART NO.	DESCRIPTION	MATERIAL	ITEM NO.
1	014-0004-0002	CRIMP SLEEVE	LEADED COPPER OR O.F.H.C. COPPER	3
1	014-0009-0002	CONTACT, SOCKET	LEADED COPPER OR O.F.H.C. COPPER	
1	014-0002-0002	FERRULE	BRASS, QQ-B-626	
1	014-0001-0001	INSULATOR, FERRULE	TEFLON, L-P-403	
1	014-1009-0001	SOCKET CONTACT SUBASSY		2
1	014-0010-0002	HOUSING, STRAIGHT JACK	BRASS, QQ-B-626	
1	014-0011-0001	INSULATOR	TEFLON, L-P-403	
1	014-1010-0002	HOUSING SUBASSY		1

PARTS LIST

UNLESS OTHERWISE SPECIFIED DIMENSIONS ARE IN INCHES TOLERANCES ARE: FRACTIONS DECIMALS ANGLES ± .XX ± .010 ± 5° .XXX ±		CONTRACT NO.		MALCO A MICRODOT COMPANY, INC. 220 PASADENA AVE., SO. PASADENA, CALIF. 91030	PROD. CODE 946 CODE CDM
		APPROVALS	DATE		
MATERIAL NOTED		DRAWN	M. PAVICO	4-26-78	JACK, SCREW-ON LEPRA/CON
		CHECKED	C.E. HARTRICK	5-2-78	
		PR. ENG.	PM	5-3-78	
FINISH NOTED		APPROVED			SIZE B
		These drawings and specifications are the property of Microdot Inc. and shall not be divulged, reproduced or copied, or used as the basis for the manufacture or sale of any article without written permission of Microdot Inc.		CODE IDENT NO. 98278	DRAWING NO. 141-0000-0001
NEXT ASSY	USED ON	DO NOT SCALE DRAWING		SCALE 10:1	SHEET 1 OF 1