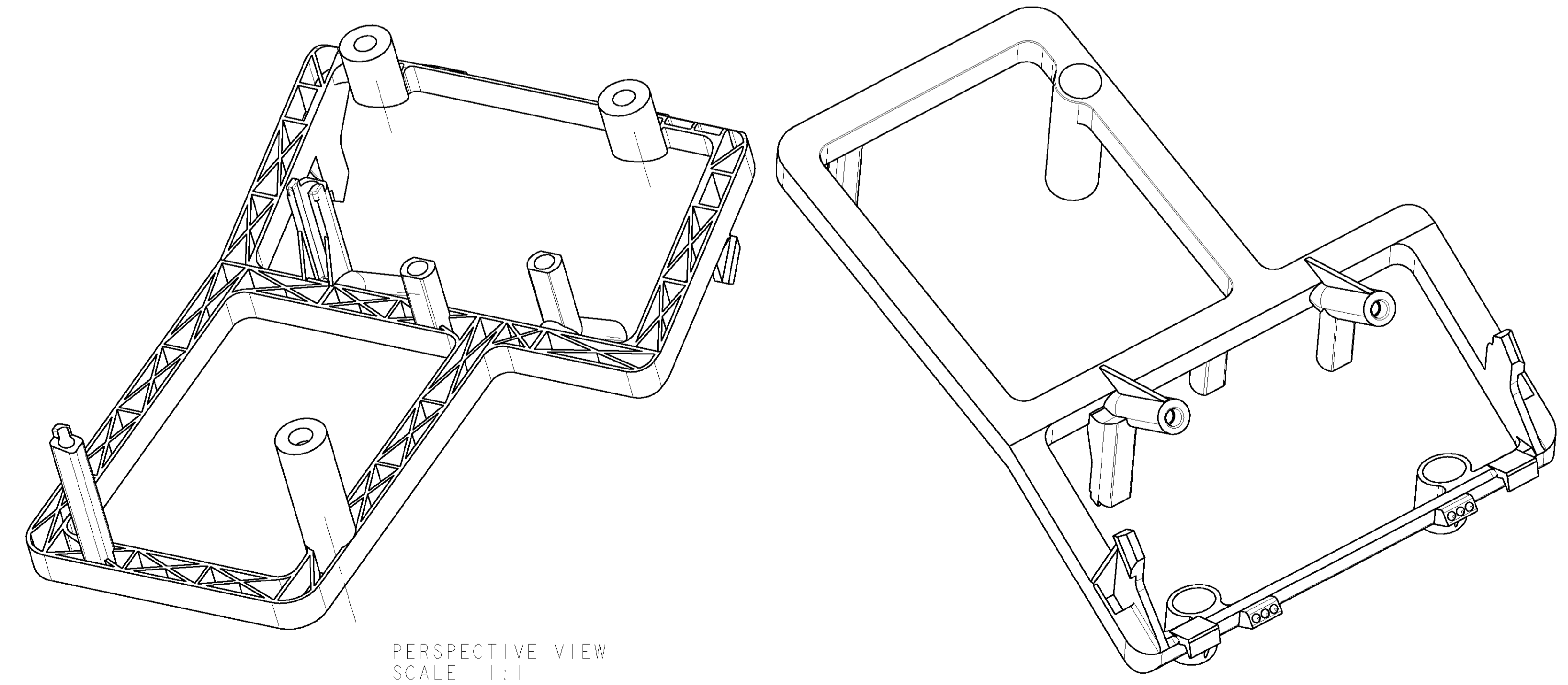
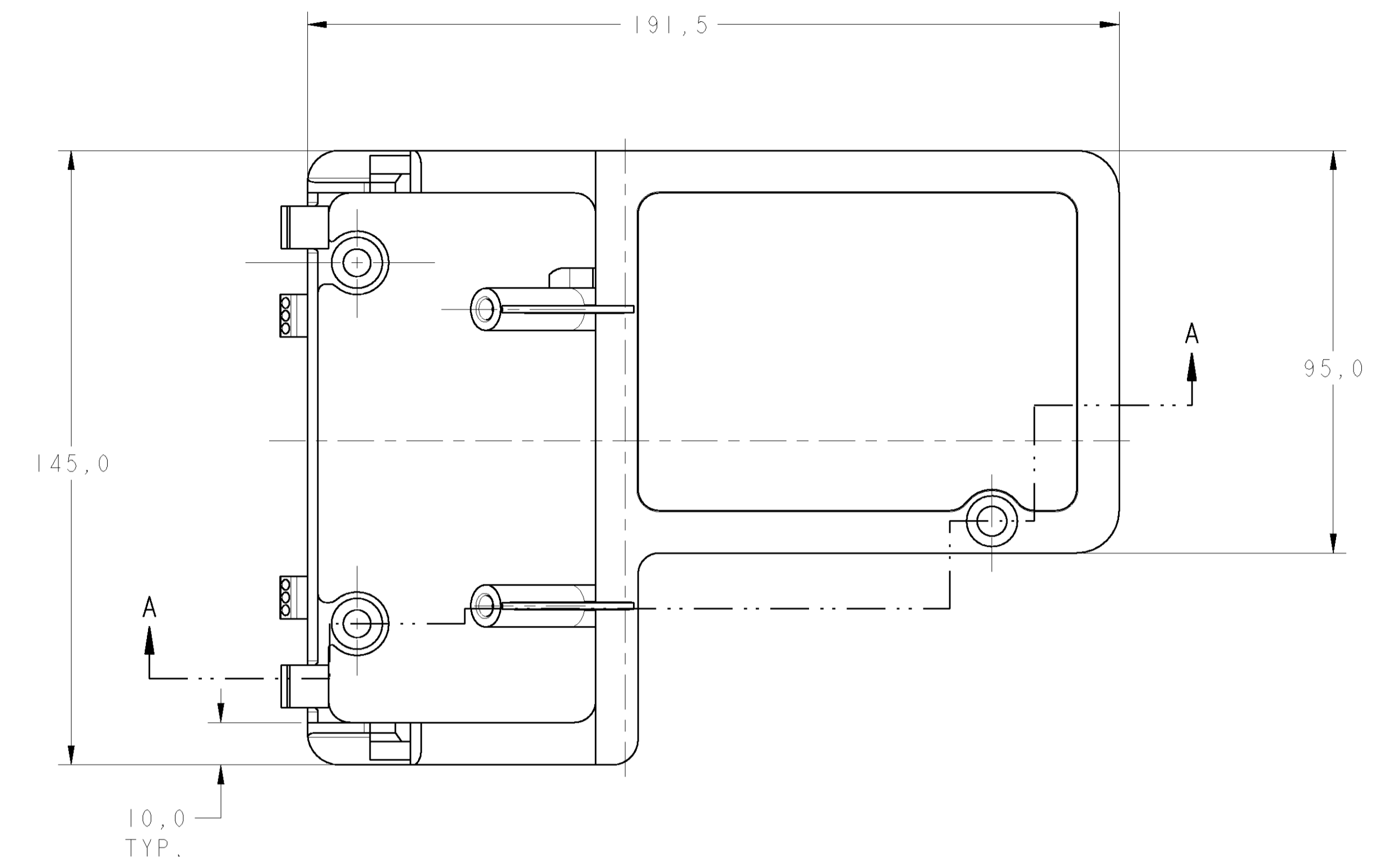
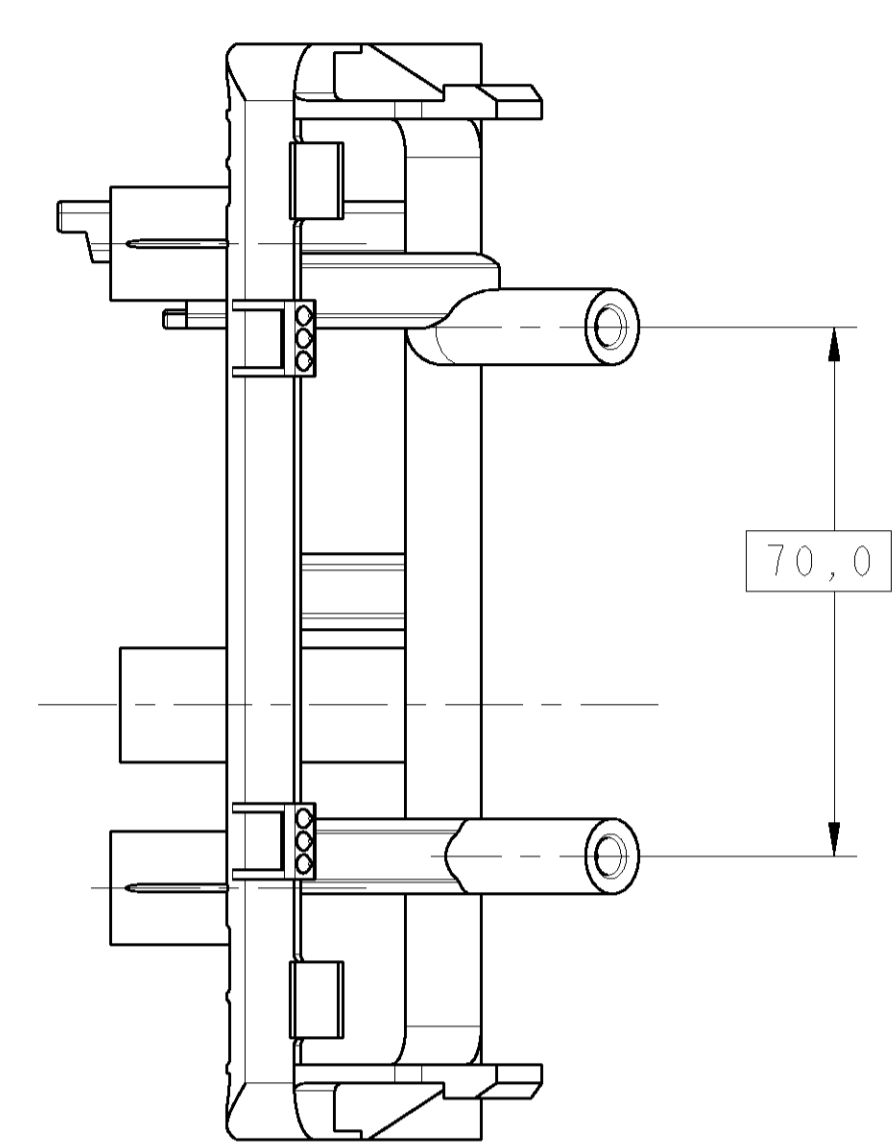
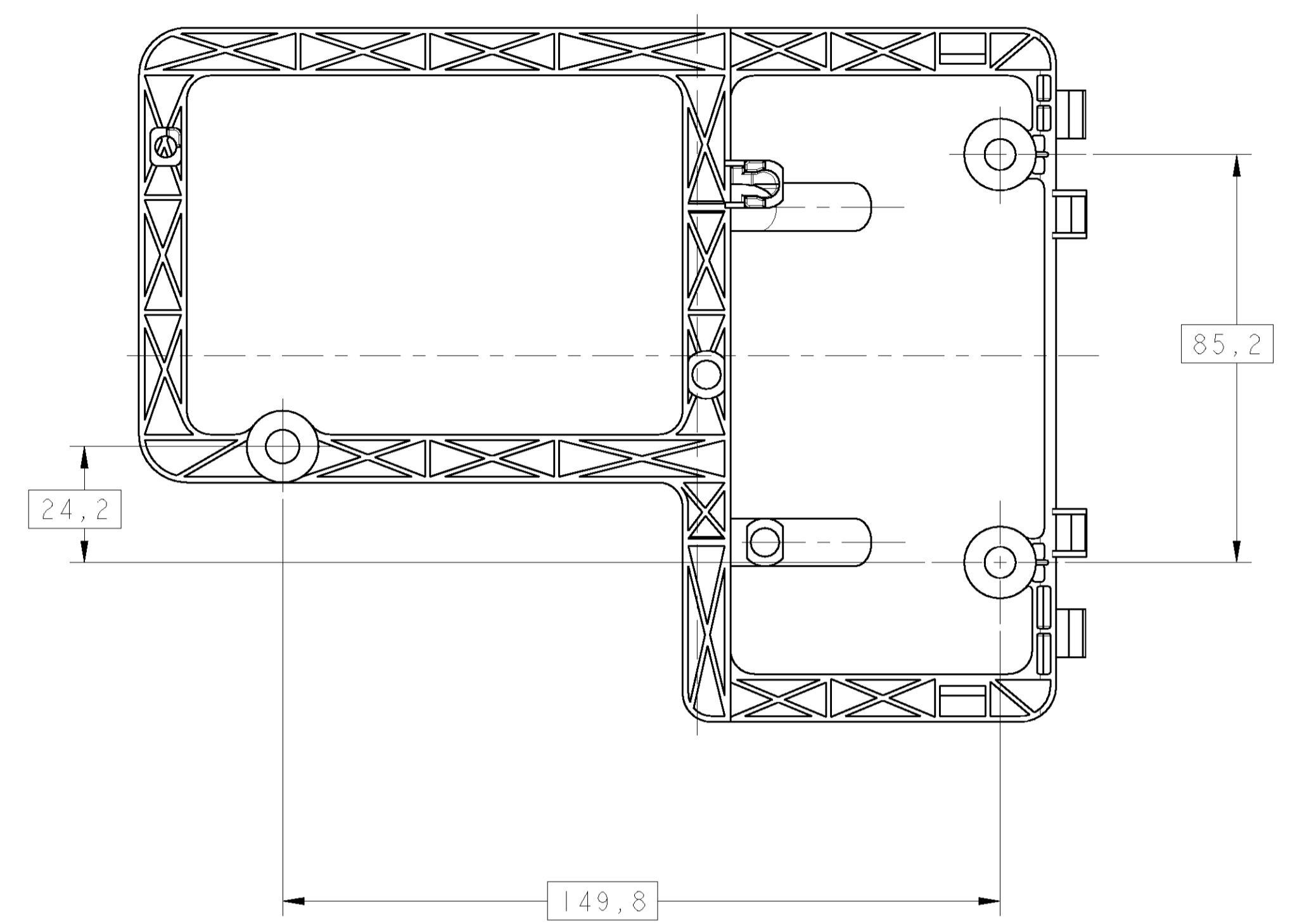
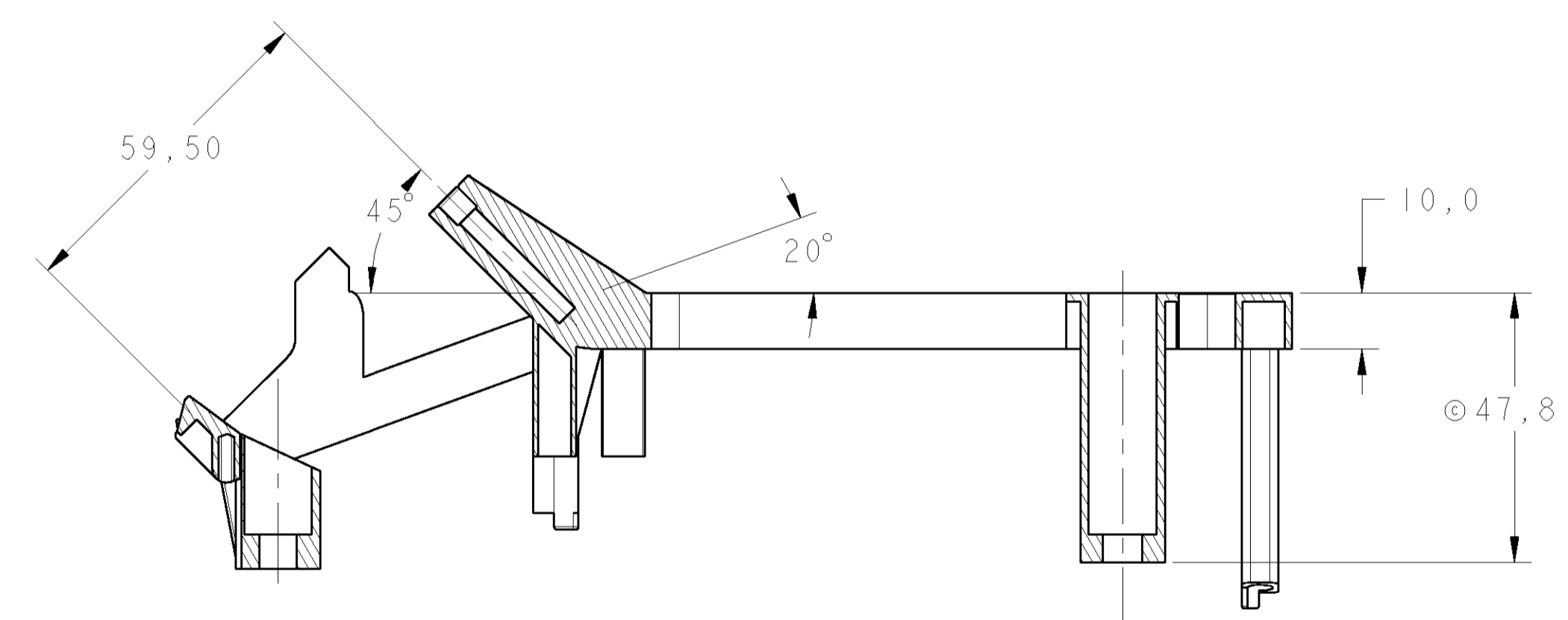


LOC	DIST	REVISIONS				
AP	-	P. LTR	DESCRIPTION	DATE	DWN	APVD
		0	RELEASED	22JAN02	MRB	PLF
		A	UPDATED BY EC LB00-0160/03	01JULY2003	MRB	PLF
		B	UPDATED BY EC LB00-0497/03	17NOV2003	MRB	PLF

CAD
 DO NOT REVISE
 EXCEPT BY CAD



PERSPECTIVE VIEW
 SCALE 1:1



SECTION A-A

GRAVAÇÃO MARKING
NÚMERO CAVIDADE CAVITY NUMBER
LOGOTIPO TYCO TYCO LOGO
LOGOTIPO FORD FORD LOGO
CÓDIGO PAÍS PRODUTOR MANUFACTURER COUNTRY CODE
NOMENCLATURA MATERIAL MATERIAL NOMENCLATURE
REV+ LETRA REV. DA PEÇA REV. + PART. REV. LETTER
NÚMERO COMPONENTE TYCO TYCO COMPONENT NUMBER

NOTE	FINISH	MATERIAL	PART NUMBER
	PRETO / BLACK	PA 6.6	1380378-1

DIMENSIONS: mm 	TOLERANCES UNLESS OTHERWISE SPECIFIED: 0 PLC ± 1 PLC ±0,3 2 PLC ± 3 PLC ± 4 PLC ± ANGLES ±1°	FINISH SEE TABLE	DWN: M. R. BRIZ 22JAN2002 CHK: P. L. FARIA 22JAN2002 APVD: D. A. OLIVEIRA 22JAN2002 NAME: D. A. OLIVEIRA PRODUCT SPEC: - APPLICATION SPEC: - WEIGHT: - CUSTOMER DRAWING	TYCO ELECTRONICS do Brasil LTDA. São Paulo, Brasil SUPPORT SIZE: A1 CAGE CODE: 00779 DRAWING NO: C-1380378 SCALE: 1:1 SHEET: 1 OF 1 REV: B
-----------------------	--	---------------------	--	--