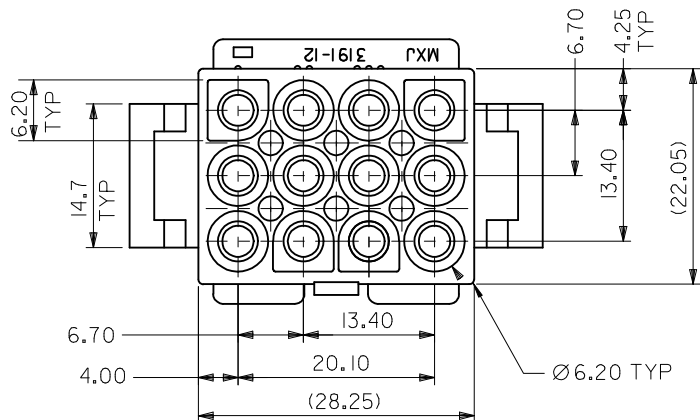


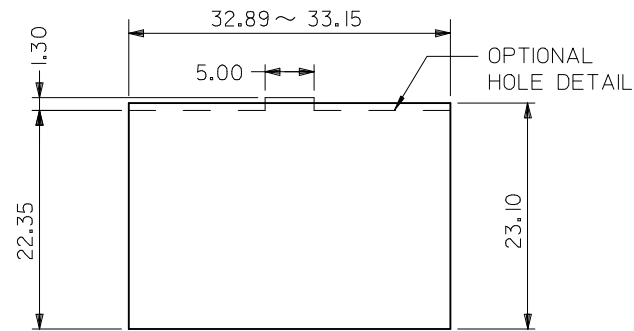
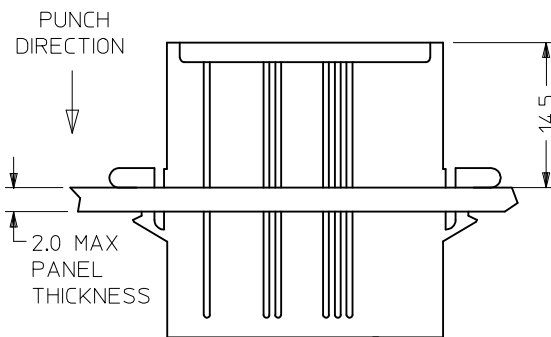
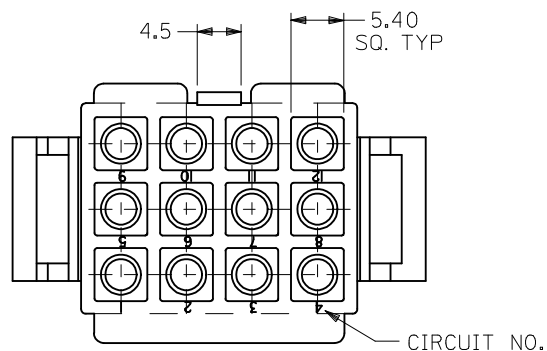
NOTES:

1. MATERIAL: SEE TABLE
2. FINISH: NONE
3. PRODUCT SPECIFICATION: PS-02-09
4. PACKAGING SPECIFICATION: PK-3191-001
5. PARTS CONFORM TO MOLEX COSMETIC SPECIFICATION PS-45499-002 CLASS B
6. DIMENSIONS IN () ARE REFERENCE
7. HOUSING FOR USE WITH 2.36/0.093 DIA. MALE TERMINALS.
8. PARTS CONFORM TO CLASS B REQUIREMENTS OF COSMETIC SPECIFICATION PS-45499-002.
9. TEXT ON PART IS FOR REFERENCE ONLY. TEXT AND TEXT LOCATION MAY VARY DEPENDING ON PART NUMBER AND/OR TOOL.

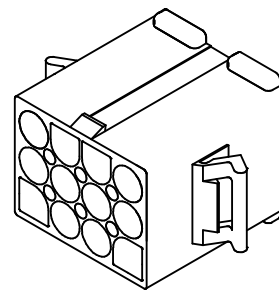
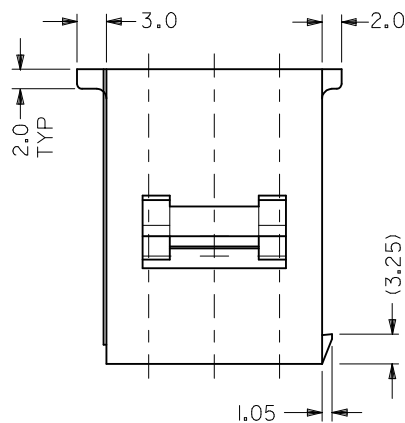
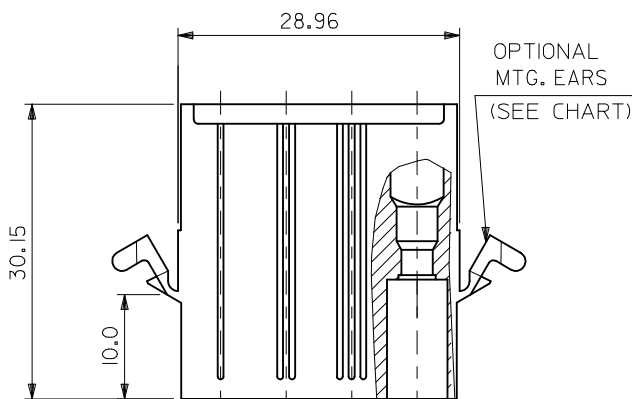


19-09-2127	3191-12P-201	NYLON66	94V-0	NATURAL	YES
19-09-2128	3191-12P	NYLON66	94V-2	NATURAL	YES
19-09-2129	3191-12PI	NYLON66	94V-2	NATURAL	NO
EDP. NO.	ENG. NO.	MATERIAL	UL	COLOR	MTG. EARS

19092126 OBSOLETE EC NO: UCP2019-0035 DRAWN: SALHAMY 2018/07/18 CHKD: APPR: FSMITH 2018/07/18 REV: T1	QUALITY SYMBOLS	GENERAL TOLERANCES (UNLESS SPECIFIED)	DIMENSION STYLE	SCALE	DESIGN UNITS	THIRD ANGLE PROJECTION
	▽=0	4 PLACES ± --- ± ---	MM ONLY		METRIC	
	▽=0	3 PLACES ± --- ± ---	mm INCH	DRAWN BY	DATE	TITLE
	▽=0	2 PLACES ± 0.25 ± ---		JBINGHAM	2010/10/12	12-CIRCUIT PLUG HOUSING (0.093 DIA. TERMINAL) SALES DRAWING
		1 PLACE ± 0.35 ± ---		CHECKED BY	DATE	
		ANGULAR ± --- °		MKIPPER	2010/10/12	
				APPROVED BY	DATE	
				FSMITH	2010/11/09	
				MATERIAL NO.	DOCUMENT NO.	
				SEE CHART	SD-3191-12P*-*	
				SIZE B		SHEET NO. 1 OF 1

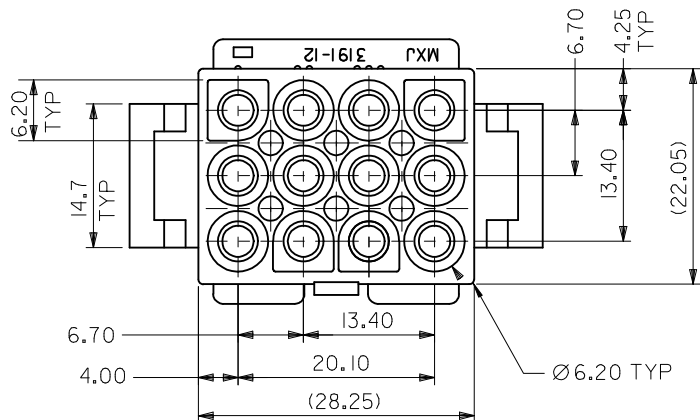


RECOMMENDED PANEL HOLE CUTOUT



NOTES:

1. MATERIAL: SEE TABLE
2. FINISH: NONE
3. PRODUCT SPECIFICATION: PS-02-09
4. PACKAGING SPECIFICATION: PK-3191-001
5. PARTS CONFORM TO MOLEX COSMETIC SPECIFICATION PS-45499-002 CLASS B
6. DIMENSIONS IN () ARE REFERENCE
7. HOUSING FOR USE WITH 2.36/0.093 DIA. MALE TERMINALS.
8. PARTS CONFORM TO CLASS B REQUIREMENTS OF COSMETIC SPECIFICATION PS-45499-002.
9. TEXT ON PART IS FOR REFERENCE ONLY. TEXT AND TEXT LOCATION MAY VARY DEPENDING ON PART NUMBER AND/OR TOOL.



19-09-2127	3191-12P-201	NYLON66	94V-0	NATURAL	YES
19-09-2128	3191-12P	NYLON66	94V-2	NATURAL	YES
19-09-2129	3191-12PI	NYLON66	94V-2	NATURAL	NO
EDP. NO.	ENG. NO.	MATERIAL	UL	COLOR	MTG. EARS

19092126 OBSOLETE EC NO: UCP2019-0035 DRAWN: SALHAMY 2018/07/18 CHKD: APPR: FSMITH 2018/07/18 REV:	QUALITY SYMBOLS	GENERAL TOLERANCES (UNLESS SPECIFIED)	DIMENSION STYLE	SCALE	DESIGN UNITS	THIRD ANGLE PROJECTION
	▽=0	4 PLACES ± --- ± ---	MM ONLY		METRIC	⊙
	▽=0	3 PLACES ± --- ± ---	mm	DRAWN BY	DATE	TITLE
	▽=0	2 PLACES ± 0.25 ± ---	INCH	JBINGHAM	2010/10/12	12-CIRCUIT PLUG HOUSING (0.093 DIA. TERMINAL) SALES DRAWING
		1 PLACE ± 0.35 ± ---		CHECKED BY	DATE	
		ANGULAR ± --- °		MKIPPER	2010/10/12	
				APPROVED BY	DATE	
				FSMITH	2010/11/09	
				MATERIAL NO.	DOCUMENT NO.	
				SEE CHART	SD-3191-12P*-*	
				SIZE B		SHEET NO. 1 OF 1
				THIS DRAWING CONTAINS INFORMATION THAT IS PROPRIETARY TO MOLEX INCORPORATED AND SHOULD NOT BE USED WITHOUT WRITTEN PERMISSION		