

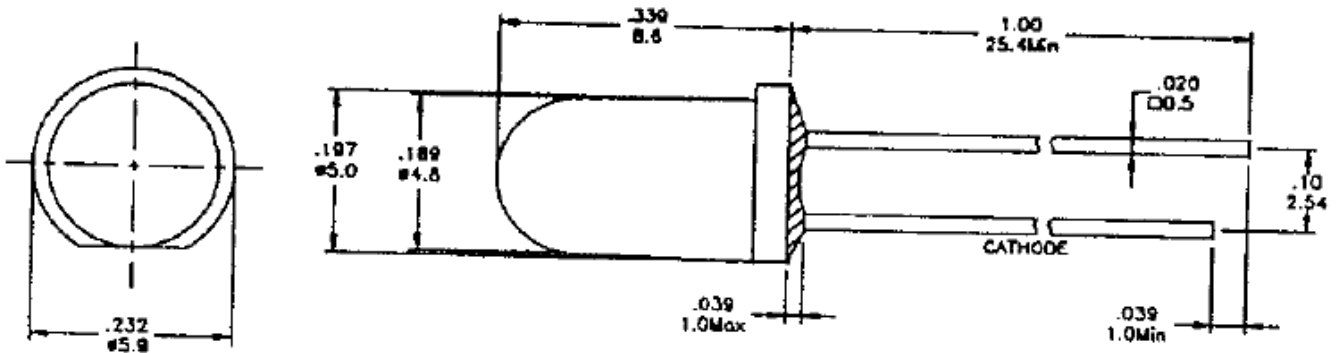


# American Opto Plus LED Corp.

## L513ED

3mm Red LED Lamp

### PACKAGE DIMENSION



Item	Material
Chip	GaAsP/GaP
Lens	Red Diffused
Emitted Color	Red
Viewing Angel	45°

#### Note

1. All dimensions are in millimeter (inches); tolerance is  $\pm 0.25\text{mm}$  (0.01inch)



# American Opto Plus LED Corp.

## L513ED

3mm Red LED Lamp

### ABSOLUTE MAXIMUM RATINGS

(Ta=25°C)

	Symbol	Max. Ratings	Unit
Power Dissipation	$P_d$	84	mW
Reverse Voltage	$V_R$	5	V
Forward Current	$I_F$	30	mA
Pulse Forward Current (1/10 duty cycle @ 1kHz)	$I_{fp}$	100	mA
Operating Temperature Range	$T_{opr}$	-40~+80	°C
Storage Temperature Range	$T_{stg}$	-40~+100	°C
Soldering Temperature	$T_{sol}$	260°C for 5 sec Max [1.6mm(0.063inch) from body]	

### OPTICAL-ELECTRICAL CHARACTERISTICS

(Ta=25°C)

	Symbol	Test Condition	Min	Typ	Max	Unit
Forward Voltage	$V_F$	$I_F = 20mA$	--	2.0	2.8	V
Peak Wavelength	$\lambda_P$		--	635	--	nm
Viewing angle	$2\theta_{1/2}$		--	45	--	Deg
Luminous Intensity	$I_v$	$I_F = 10mA$	15	30	--	mcd
Reverse Current	$I_R$	$V_R = 5V$	--	--	100	$\mu A$