

B143000N2**

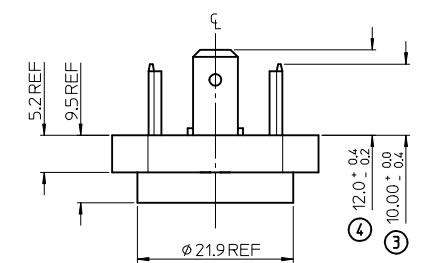
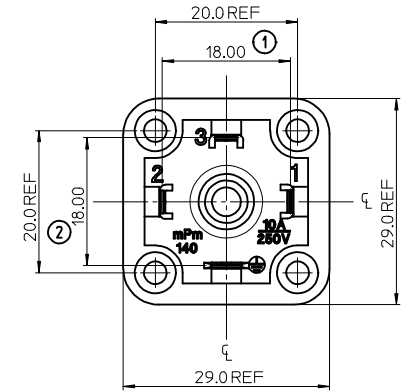
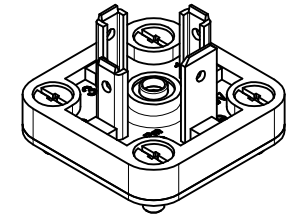
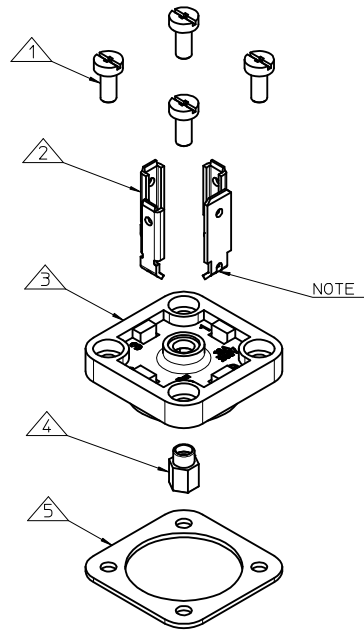
SERIES _____
 B14= FORM A
 POLES _____
 2= 2 POLE & 3= 3 POLE
 CURVED BASE DIAMETER _____
 000= FLAT
 MATERIAL AND HOUSING COLOUR _____
 N= PA6 BLACK, W= PA6 BLACK V0

SCREW AND GASKET _____
 2= NBR FLAT GASKET & SCREWS
 4= SILICON FLAT GASKET & SCREWS
 0= NO SCREWS OR GASKET
 NON STANDARD COMPONENTS _____
 01= B300 TERMINALS AND STANDARD EARTH
 SA= UL LISTED

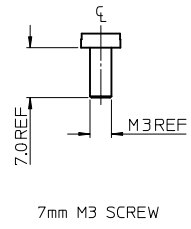
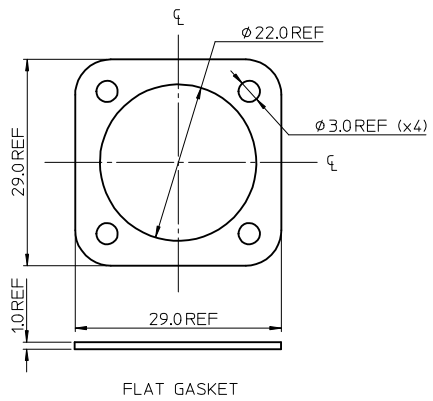
NOTES
 1. PLEASE SEE TABLE FOR CURRENTLY CONFIGURED PART NUMBERS.
 FOR SPECIFIC PART NUMBERS PLEASE CONTACT SALES OR CONSULT
 THE INTELLIGENT PART NUMBERS IN THE TABLE ATTACHED.
 2. FOR PACKAGING SEE PACKAGING SPEC PK-121013-B14
 3. PRODUCT SPEC: SEE PS-121201-001
 4. TERMINALS BENT AFTER INSERTION, FOR BEND ANGLE SEE TABLE

LAST INSPECTION NUMBER 4

ITEM	DESCRIPTION
1	SCREWS
2	TERMINALS
3	HOUSING
4	INSERT
5	GASKET



PART NO	MPM NO	DESCRIPTION	TERMINAL BEND ANGLE (°)
1210120006	B142000N2	TYPE A 2P BLACK NBR, FLAT GASKET & SCREWS	45
1210120007	B143000N2	TYPE A 3P BLACK NBR, FLAT GASKET & SCREWS	45
1210120160	B143000W2	TYPE A 3P BLACK V0, NBR FLAT GASKET & SCREWS	45
1210130022	B142000N001	TYPE A 2P BLACK NO GASKET, NO SCREW WITH B300 TERMINALS AND STANDARD EARTH	45
1210120173	B142000W2SA	TYPE A 2P BLACK V0 UL LISTED, NBR FLAT GASKET & SCREWS	45
1210120162	B143000W2SA	TYPE A 3P BLACK V0 UL LISTED, NBR FLAT GASKET & SCREWS	45



ADDED P/NS EC NO: IFC2014-0532 DRW:KORNOYLE 2013/09/23 CHK:D:OSHEA 2013-10-23 APPR:ST:GRIFFIN 2013/11/11	QUALITY SYMBOLS ▽=0 ▽=0	GENERAL TOLERANCES (UNLESS SPECIFIED) <table border="1"> <thead> <tr> <th></th> <th>mm</th> <th>INCH</th> </tr> </thead> <tbody> <tr> <td>4 PLACES</td> <td>± ---</td> <td>± ---</td> </tr> <tr> <td>3 PLACES</td> <td>± ---</td> <td>± ---</td> </tr> <tr> <td>2 PLACES</td> <td>± 0.1</td> <td>± ---</td> </tr> <tr> <td>1 PLACE</td> <td>± 0.2</td> <td>± ---</td> </tr> </tbody> </table> ANGULAR ± ---°		mm	INCH	4 PLACES	± ---	± ---	3 PLACES	± ---	± ---	2 PLACES	± 0.1	± ---	1 PLACE	± 0.2	± ---	DIMENSION STYLE MM ONLY	SCALE 2:1	DESIGN UNITS METRIC	THIRD ANGLE PROJECTION
		mm	INCH																		
	4 PLACES	± ---	± ---																		
	3 PLACES	± ---	± ---																		
2 PLACES	± 0.1	± ---																			
1 PLACE	± 0.2	± ---																			
DRAWN BY OSHEA 2011/06/09	DATE 2011/06/09	TITLE B14 SERIES BASE																			
CHECKED BY DMAHER 2011/06/11	DATE 2011/06/11	APPROVED BY EFOLAN 2011/06/30	MOLEX INCORPORATED																		
MATERIAL NO. SEE TABLE	DOCUMENT NO. SD-121012-001	SHEET NO. 1 OF 1	THIS DRAWING CONTAINS INFORMATION THAT IS PROPRIETARY TO MOLEX INCORPORATED AND SHOULD NOT BE USED WITHOUT WRITTEN PERMISSION																		