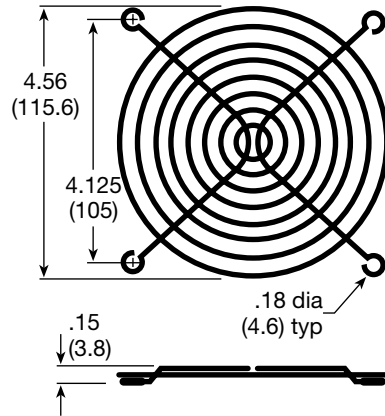


SGR-47A

For use on 119 mm sq. fans

.xxx ± 0.005 .xx ± 0.02 ANG. ± 1.5"



- Bright nickel chrome plated.
- Meets UL 0.25 inch maximum spacing plug gage test.
- Steel wire rings 1.8 mm (0.071") D., ribs 1.8 mm (0.071") D., bright basic wire.