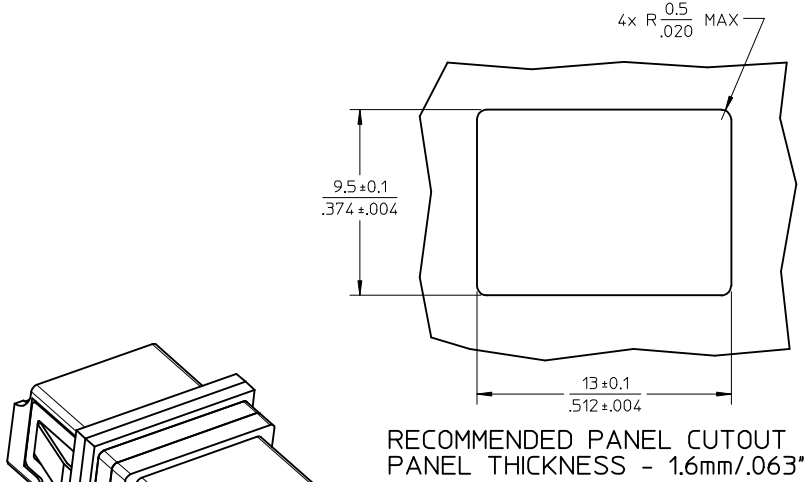
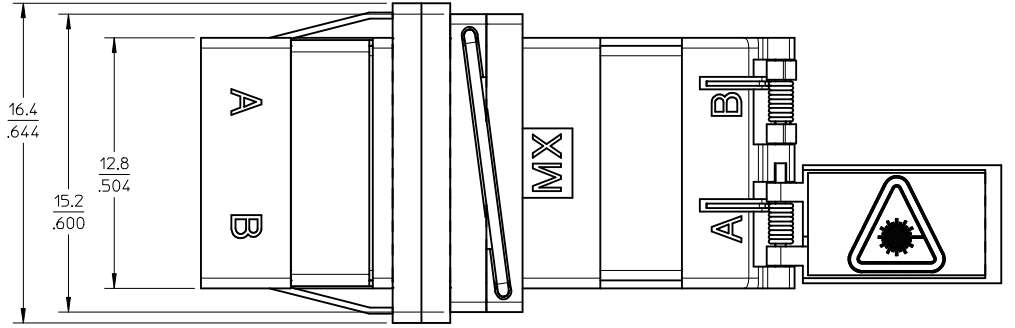
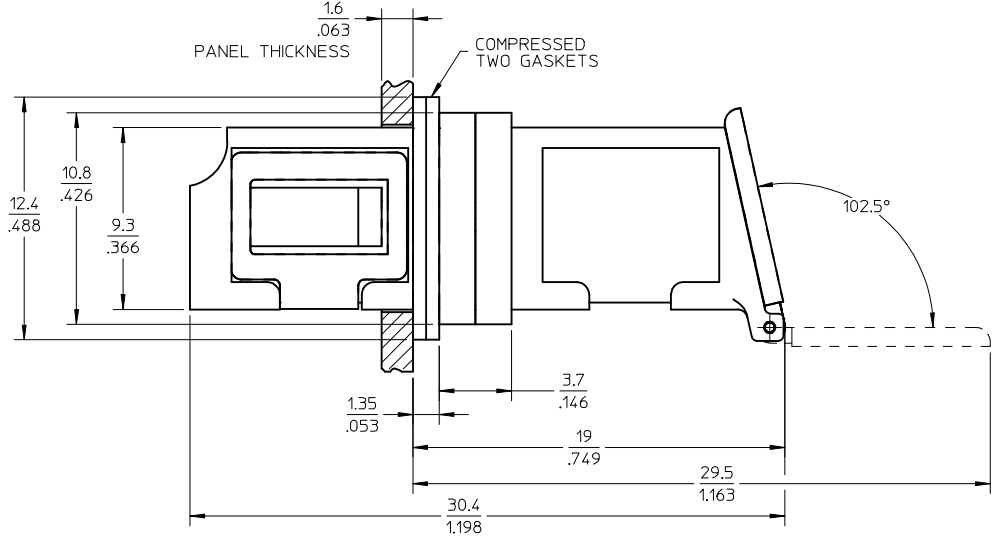
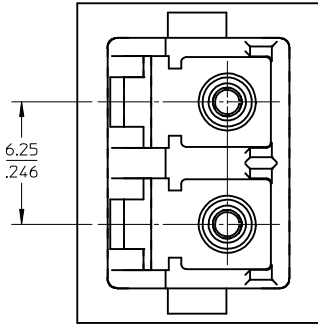
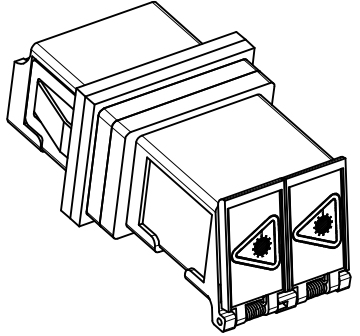


10 9 8 7 6 5 4 3 2 1



RECOMMENDED PANEL CUTOUT
PANEL THICKNESS - 1.6mm/.063"



- NOTES:
1. ALL DIMENSIONS ARE FOR REFERENCE ONLY.
 2. CONDUCTIVE FABRIC OVER FOAM. TWO GASKETS IS SUPPLIED WITH PART.
 3. PART IS DIECAST.
 4. SPLIT SLEEVE MATERIAL: Zr.
 5. DUST CAPS NOT SHOWN.
 6. ADAPTER IS RoHS COMPLIANT.

ENTER DESCRIPTION EC NO: MF2010-0005 DR: MANKPEVZNER 2009/07/17 CHKD: 2009/07/22 APPR: LGUMIN 2009/07/23 A4	QUALITY SYMBOLS ▽=0 ▽=0	GENERAL TOLERANCES (UNLESS SPECIFIED)		DIMENSION STYLE MM/IN	SCALE 4:1	DESIGN UNITS INCH	THIRD ANGLE PROJECTION	
		4 PLACES ±--- ±--- 3 PLACES ±--- ±--- 2 PLACES ±--- ±--- 1 PLACE ±--- ±---	mm INCH	DRAWN BY DATE D.B. 2005/10/14	TITLE LC-D EMI ADAPTER (SNAP MOUNT, W/SHUTTERS AND TWO GASKETS)			
		ANGULAR ±1/2°		APPROVED BY DATE I.G. 2005/10/14	MOLEX MOLEX INCORPORATED			
		DRAFT WHERE APPLICABLE MUST REMAIN WITHIN DIMENSIONS		MATERIAL NO. 1061152150	DOCUMENT NO. SD-106115-2150	SHEET NO. 1 OF 1		

9 8 7 6 5 4 3 2 1