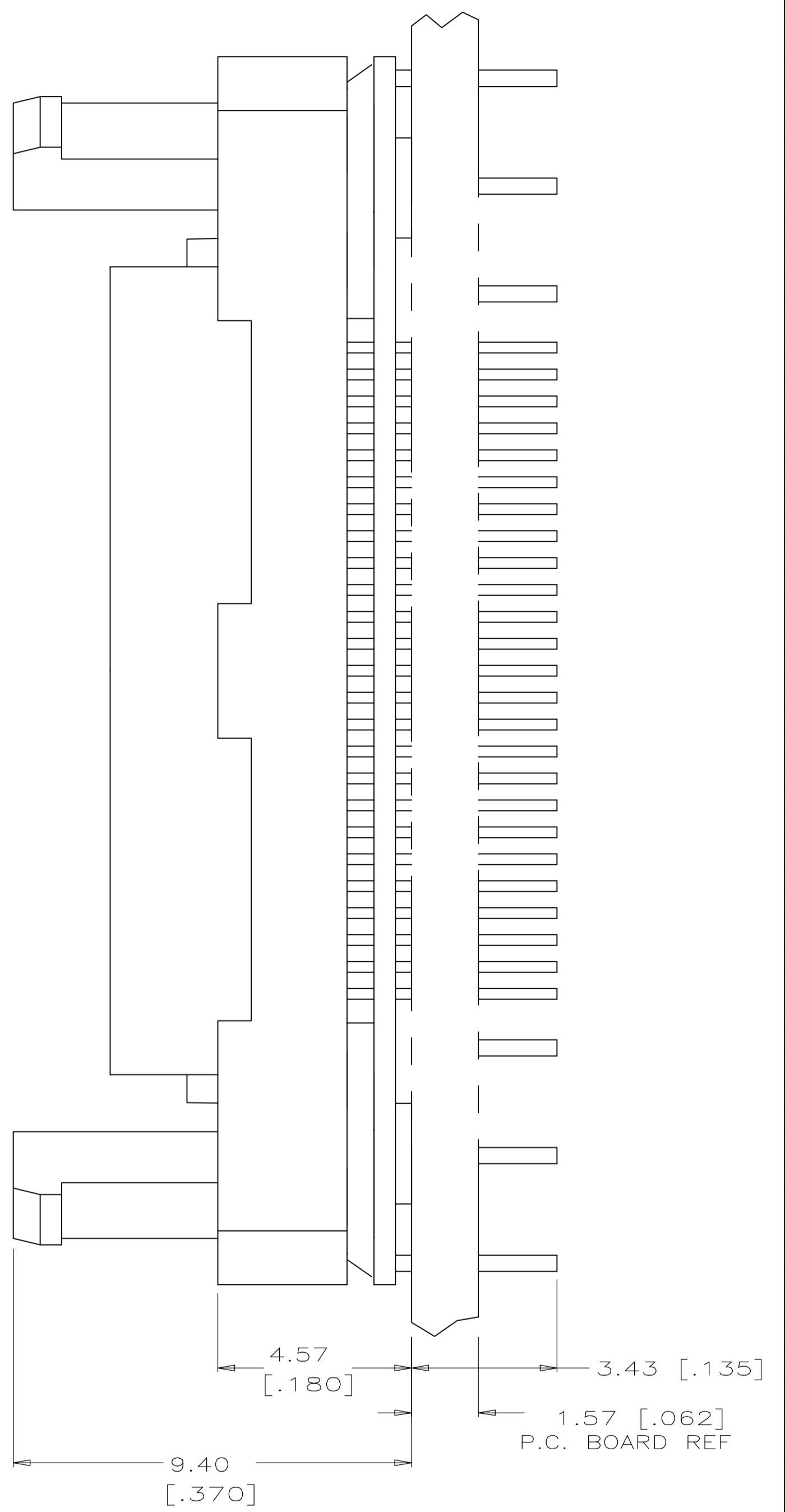
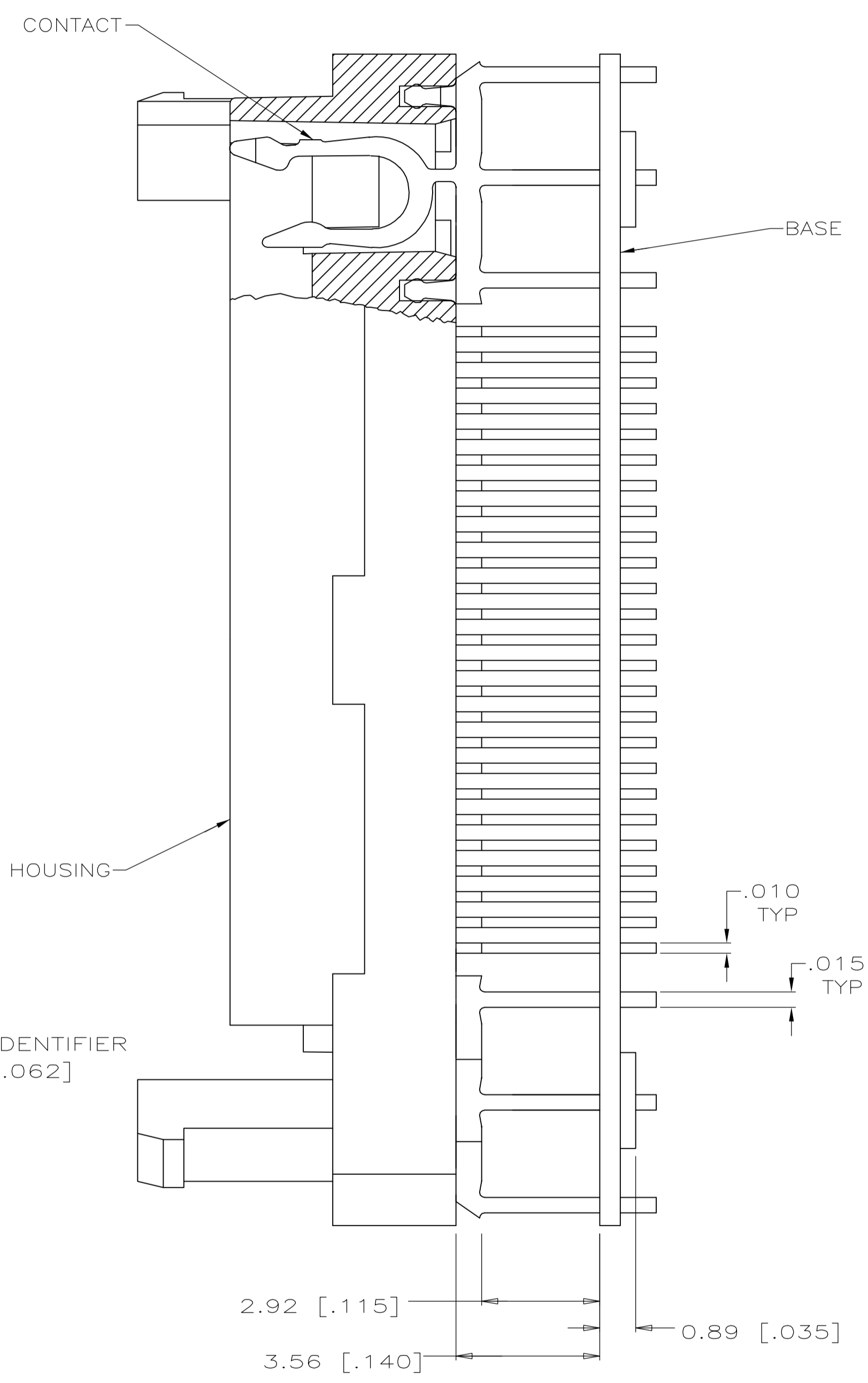


SUB-ASSEMBLY SHOWN AS SHIPPED      SUB-ASSEMBLY SHOWN IN FINAL POSITION



- △ HOUSING MATERIAL SHALL BE LIQUID CRYSTAL POLYMER. (BLACK)
- △ CONTACT MATERIAL SHALL BE PHOS. BRONZE. PLATING SHALL BE 0.00508 [.000200] MIN. TIN LEAD OVER 0.00127 [.000050] MIN. NICKEL ALL OVER.
- △ BASE MATERIAL SHALL BE LIQUID CRYSTAL POLYMER. (BLACK)
- △ SOCKET TO BE MOUNTED WITH AMP LOGO AND CHAMFER ON SOCKET LOCATED IN THIS CORNER OF P.C. BOARD.
- △ THIS AREA TO BE FREE OF COMPONENTS FOR ACCESS OF THE MICRO-PITCH HAND TOOL. MINIMUM OF TWO OPPOSITE SIDES.
- △ CONTACT MATERIAL SHALL BE PHOS. BRONZE. PLATING SHALL BE 0.00508 [.000200] MIN. TIN (LEAD FREE) OVER 0.00127 [.000050] MIN. NICKEL ALL OVER.
- △ ROHS 2002/95/EC COMPLIANT

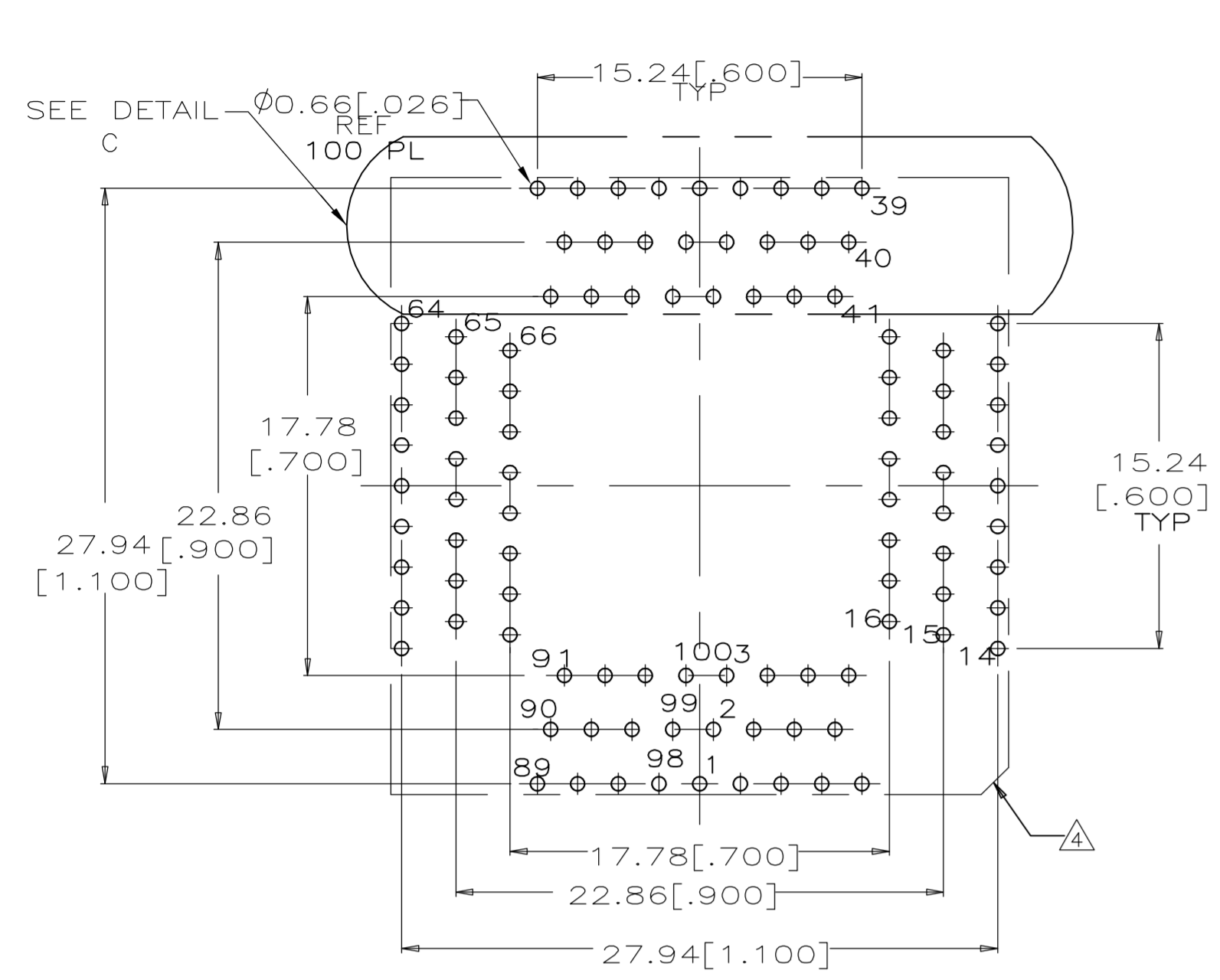
PIN #1 IDENTIFIER  
RAISED ARROW

PIN 1 IDENTIFIER  
Ø1.57 [.062]

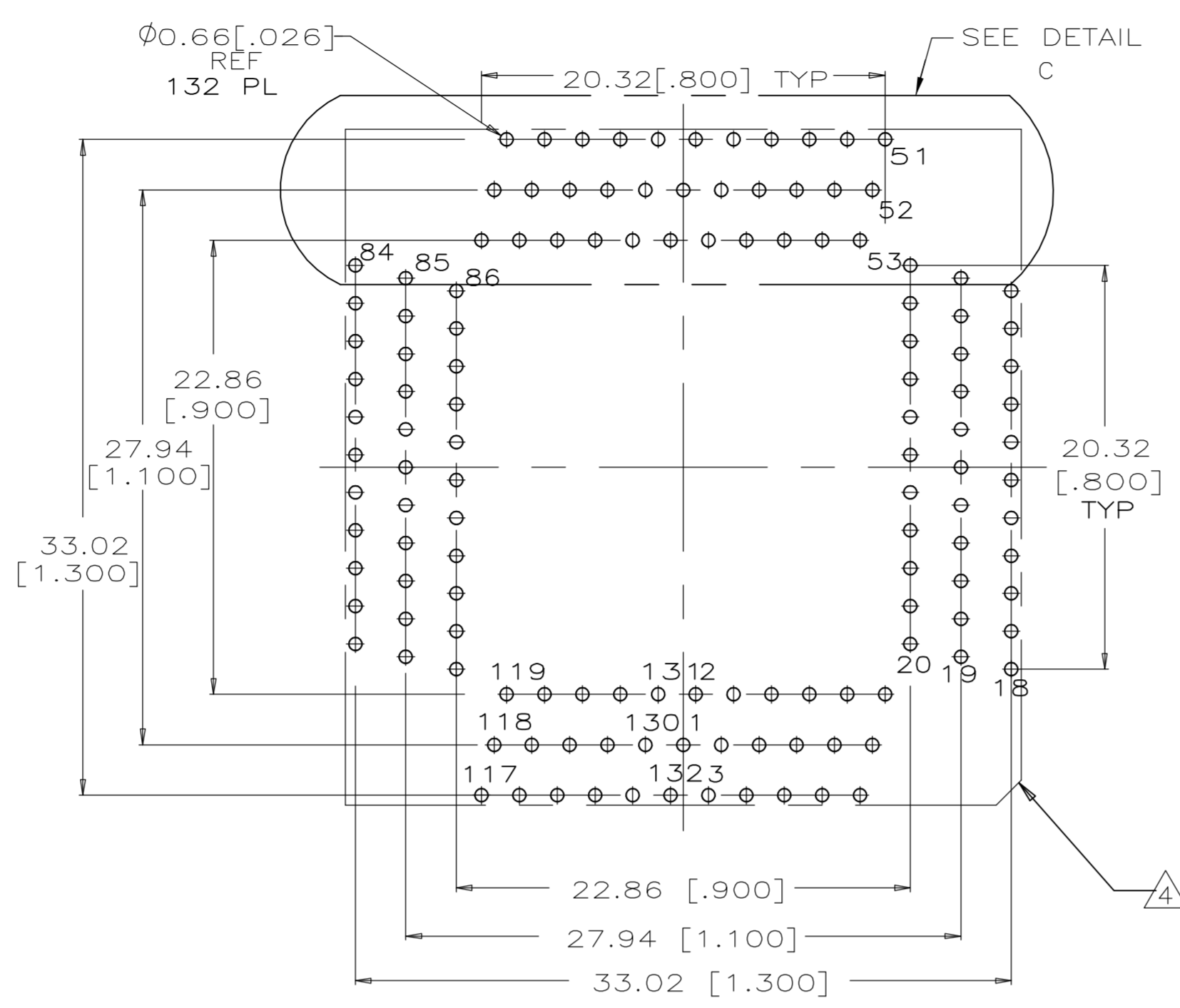
OBSOLETE	△ <sub>6</sub>	25.40 [1.000]	39.12 [1.540]	2-822064-6	164
	△ <sub>7</sub> △ <sub>6</sub>	20.32 [.800]	34.04 [1.340]	2-822064-5	132
	△ <sub>7</sub> △ <sub>6</sub>	15.24 [.600]	28.96 [1.140]	2-822064-4	100
OBSOLETE	△ <sub>2</sub>	25.40 [1.000]	39.12 [1.540]	822064-6	164
	△ <sub>2</sub>	20.32 [.800]	34.04 [1.340]	822064-5	132
	△ <sub>2</sub>	15.24 [.600]	28.96 [1.140]	822064-4	100
FINISH		B	A	PART NO.	NO OF POSN

THIS DRAWING IS A CONTROLLED DOCUMENT.

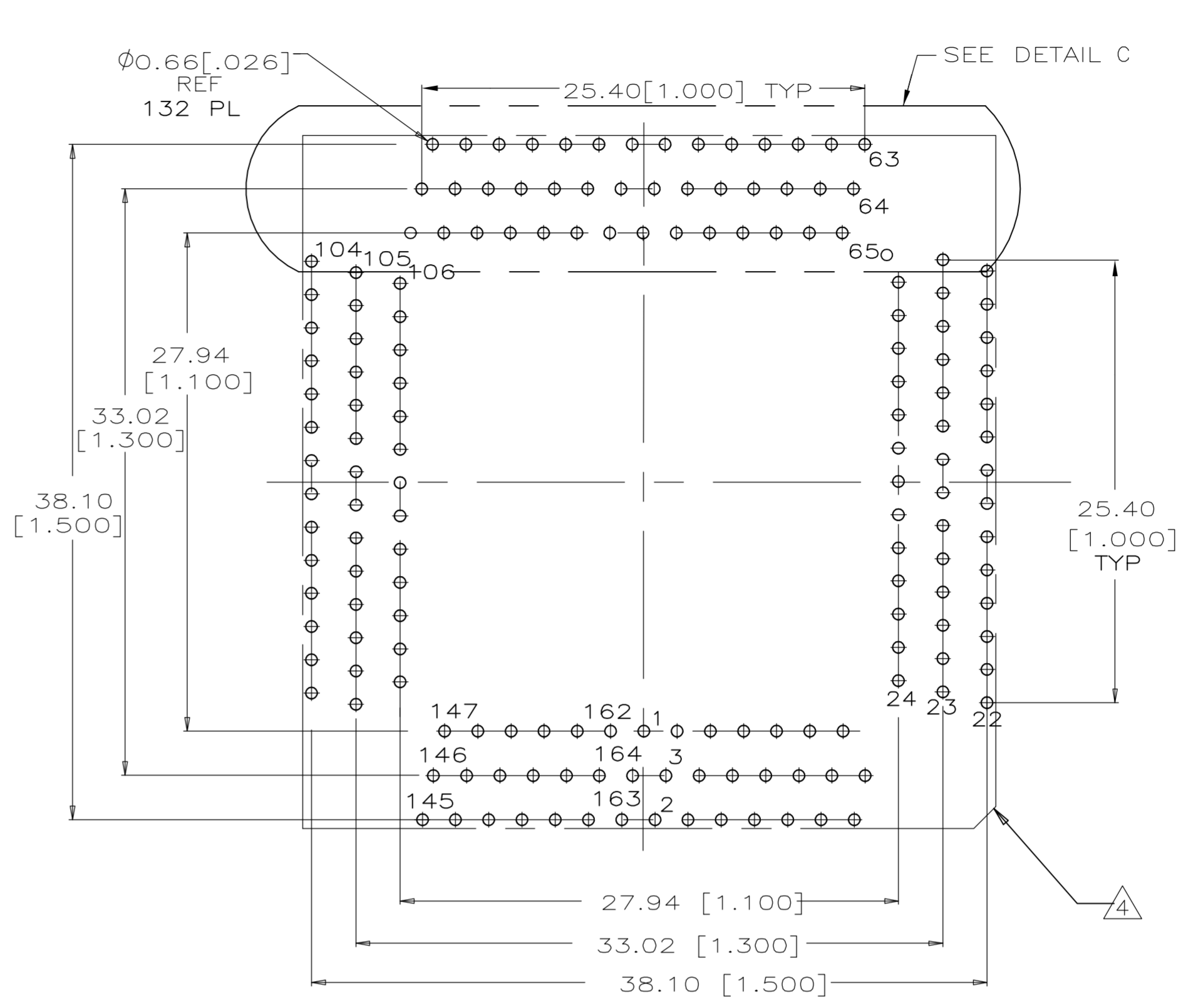
DIMENSIONS: INCHES	TOLERANCES UNLESS OTHERWISE SPECIFIED:	DWG: K. SALMON 10-13-90	tyco	Tyco Electronics Corporation
0 PLC ± -	1 PLC ± -	CHK: R. MILLER 10-13-90	Electronics	Harrisburg, Pa
2 PLC ± -	3 PLC ± 0.13(.005)	APVD: F. BOYD 10-13-90	NAME:	MICRO-PITCH SOCKET
4 PLC ± -	ANGLES ± -	PRODUCT SPEC		HOUSING SUB-ASSEMBLY
MATERIAL	FINISH SEE TABLE	APPLICATION SPEC	SIZE	REVERSE FOOTPRINT
1 2 3 6		WEIGHT	A1 00779	SCALE 10:1
		CUSTOMER DRAWING	822064	SHEET 1 OF 3
				REV H



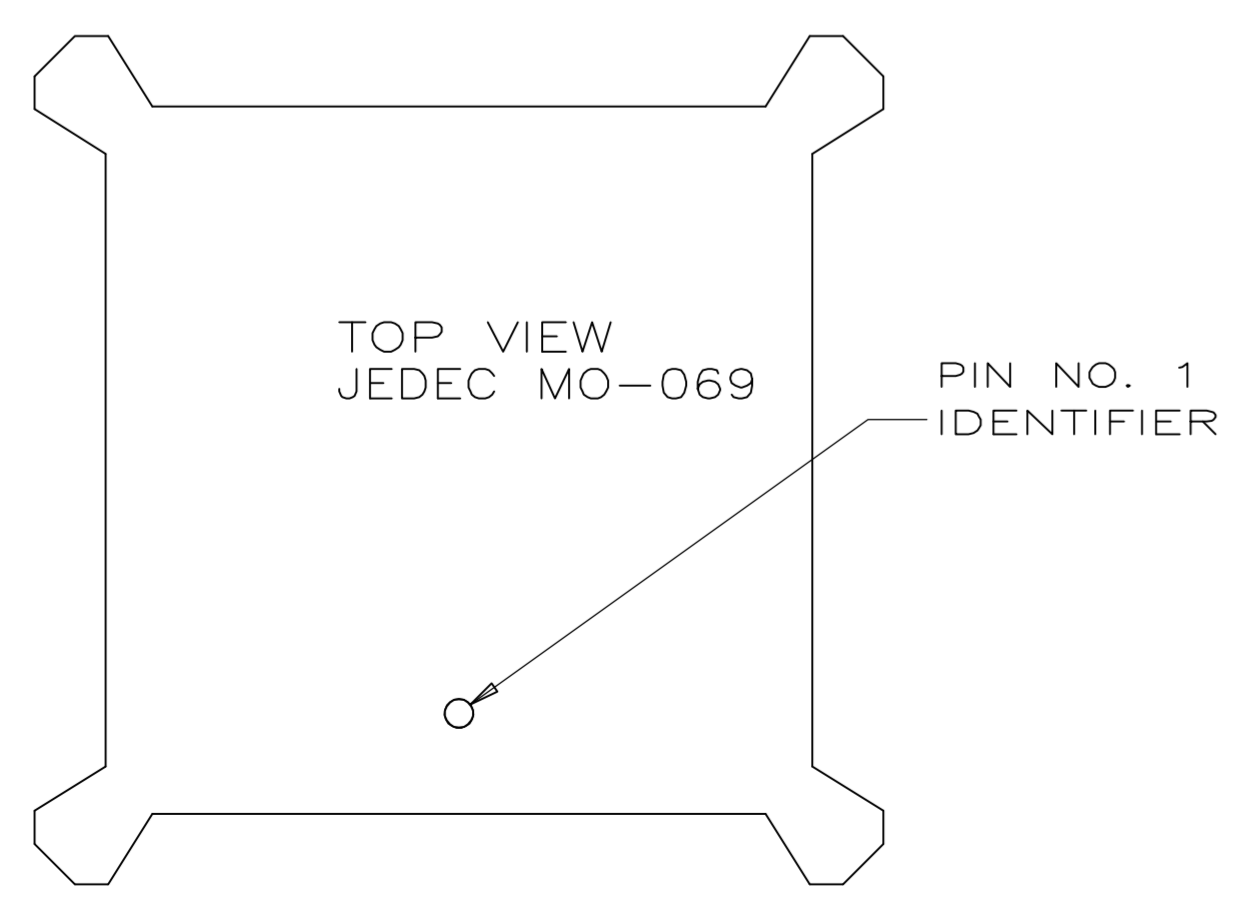
RECOMMENDED P.C. BOARD HOLE PATTERN  
 SOCKET SIDE  
 100 POSN.  
 SCALE: 4:1



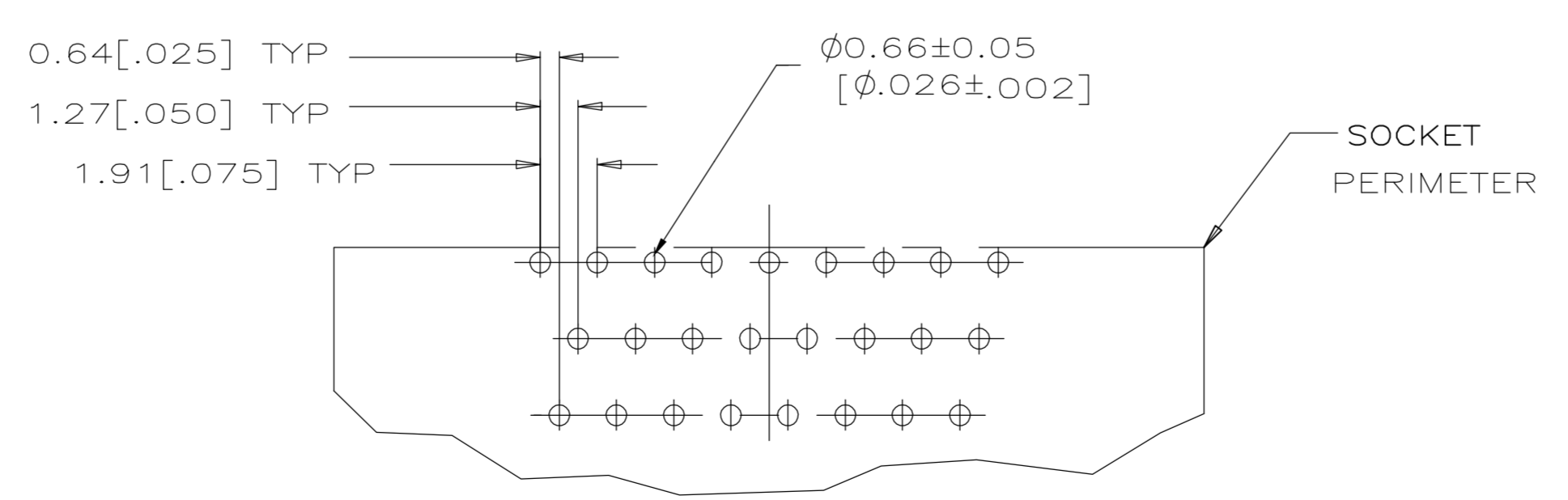
RECOMMENDED P.C. BOARD HOLE PATTERN  
 SOCKET SIDE  
 132 POSN.  
 SCALE: 4:1



RECOMMENDED P.C. BOARD HOLE PATTERN  
 SOCKET SIDE  
 164 POSN.  
 SCALE: 4:1

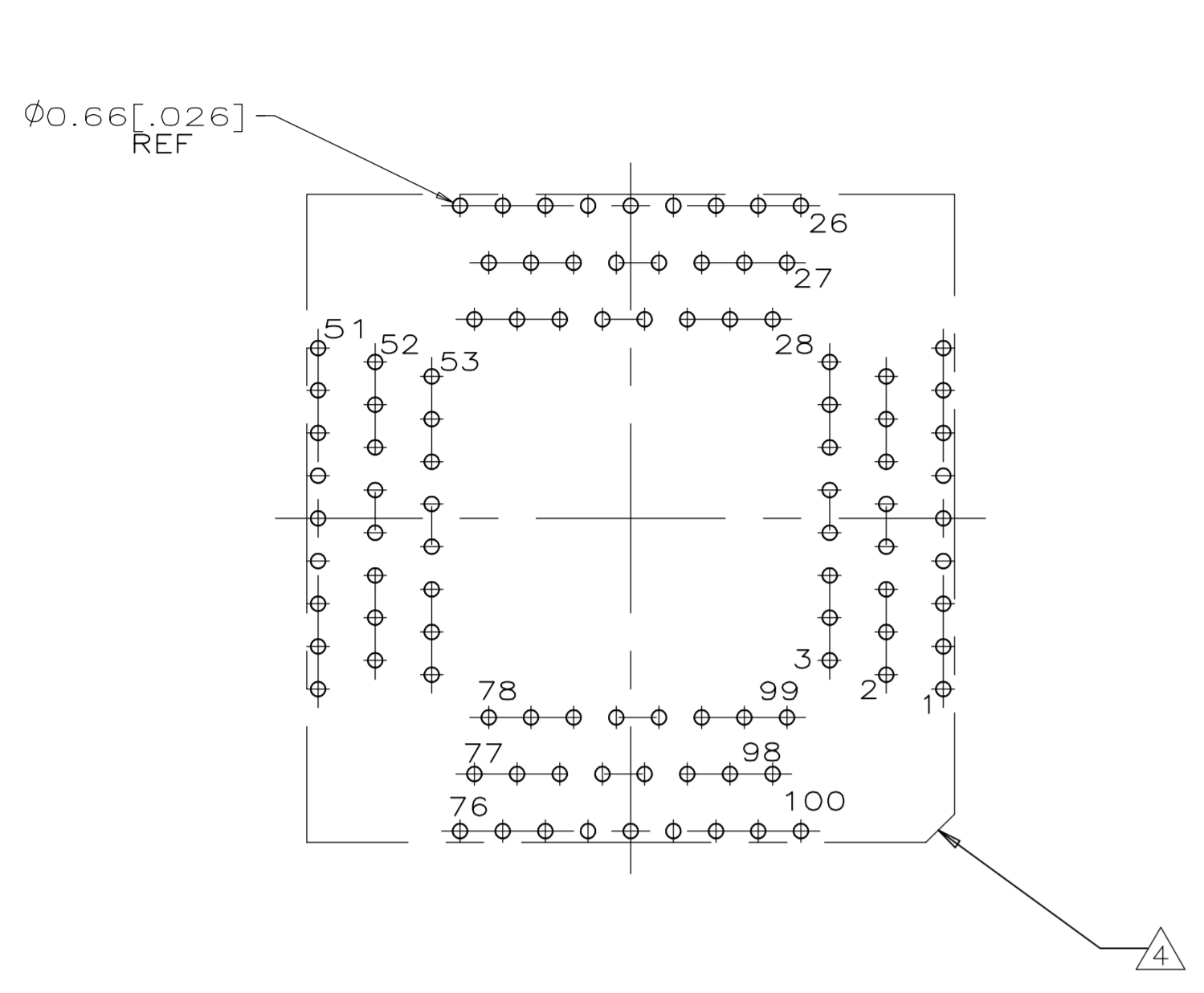


CHIP POLARIZATION REFERENCE VIEW  
 (PIN NUMBERING ON THIS SHEET ARE FOR CENTER LOCATION OF PIN 1 IDENTIFIER)

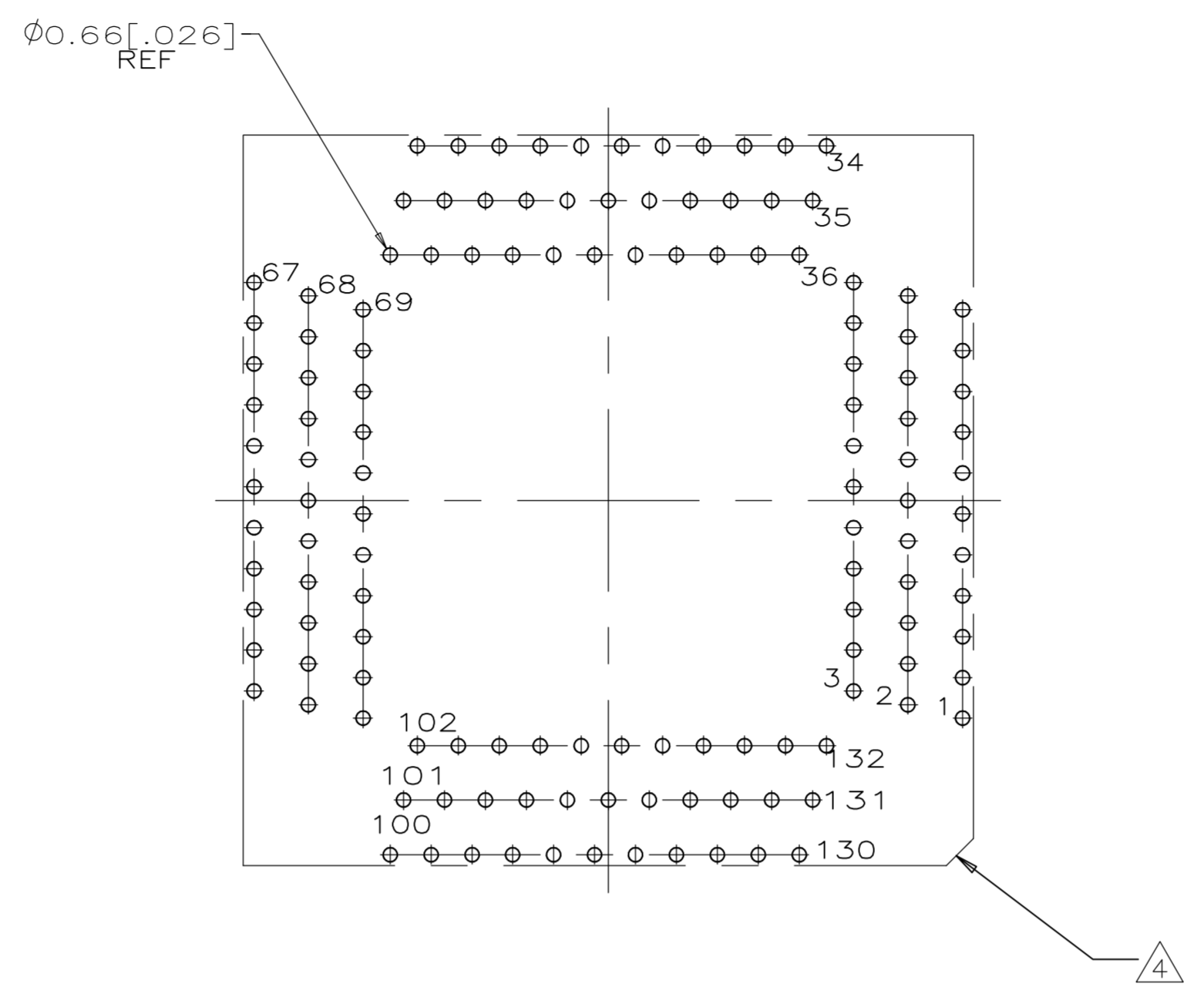


DETAIL C  
 (TYP FOR ALL POSITIONS)

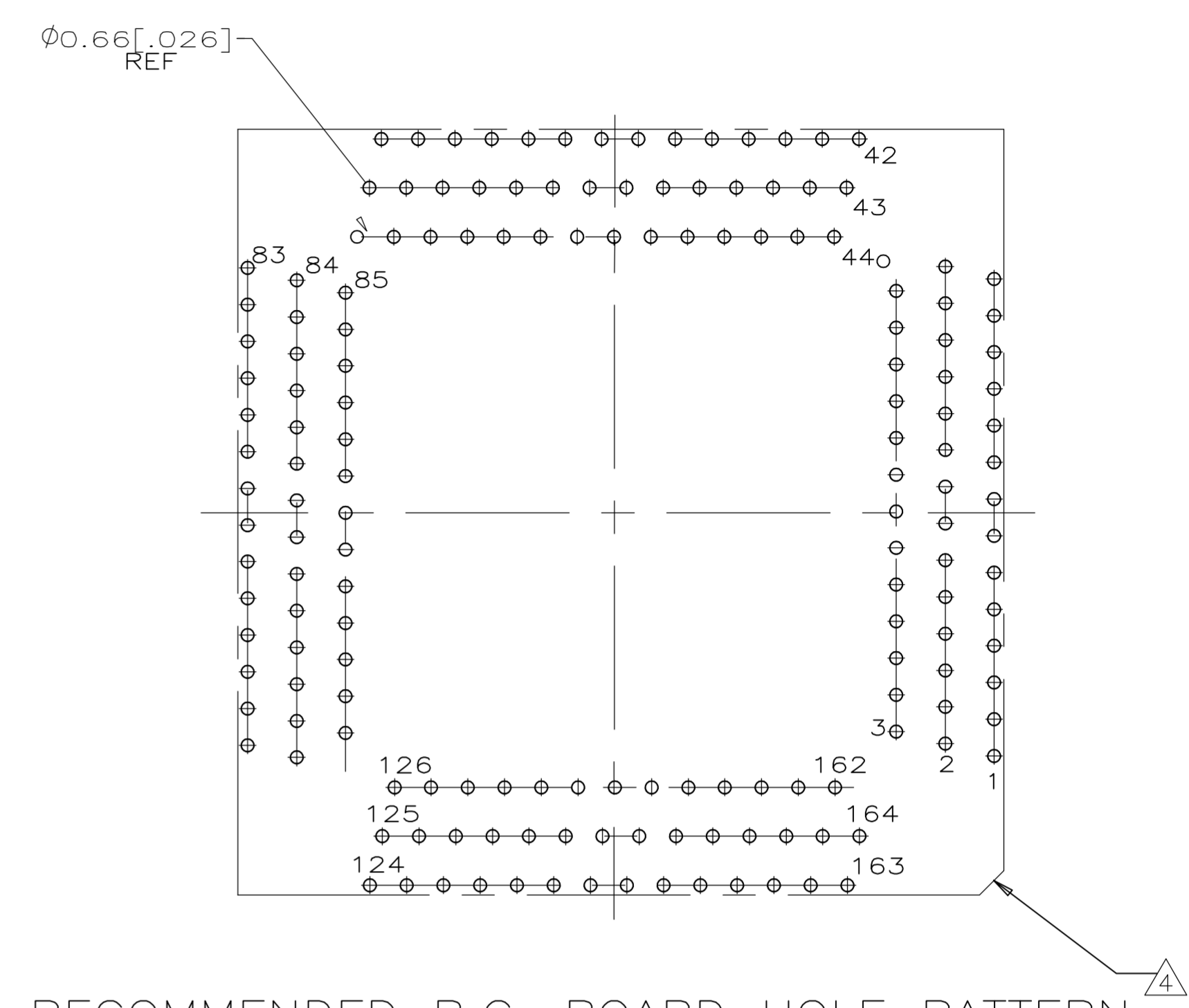
THIS DRAWING IS A CONTROLLED DOCUMENT.		DWN K. SALMON 10-13-90	Tyco Electronics Corporation Harrisburg, Pa.
DIMENSIONS: INCHES		CHK R. MILLER 10-13-90	
TOLERANCES UNLESS OTHERWISE SPECIFIED: 0 PL ± - 1 PL ± - 2 PL ± - 3 PL ± 0.1±.005 4 PL ± - ANGLES ± -		APVD -	NAME -
MATERIAL		FINISH SEE TABLE	PRODUCT SPEC -
		WEIGHT -	APPLICATION SPEC -
CUSTOMER DRAWING		SCALE 10:1	RESTRICTED TO -
A1 00779 C=822064		SHEET 2 of 3	REV H



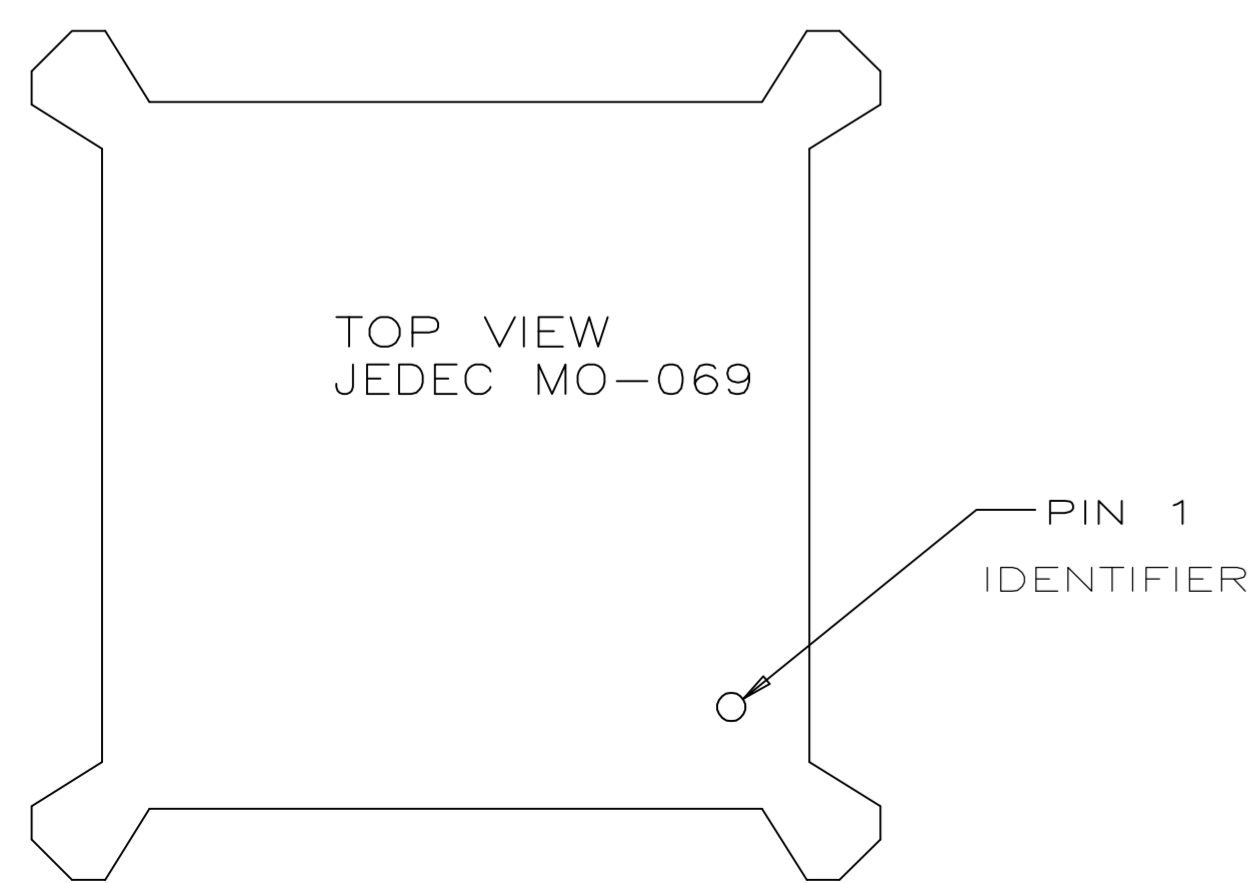
RECOMMENDED P.C. BOARD HOLE PATTERN  
 SOCKET SIDE  
 100 POSN.  
 SEE SHEET 2 100 POSN FOR DIMENSIONS



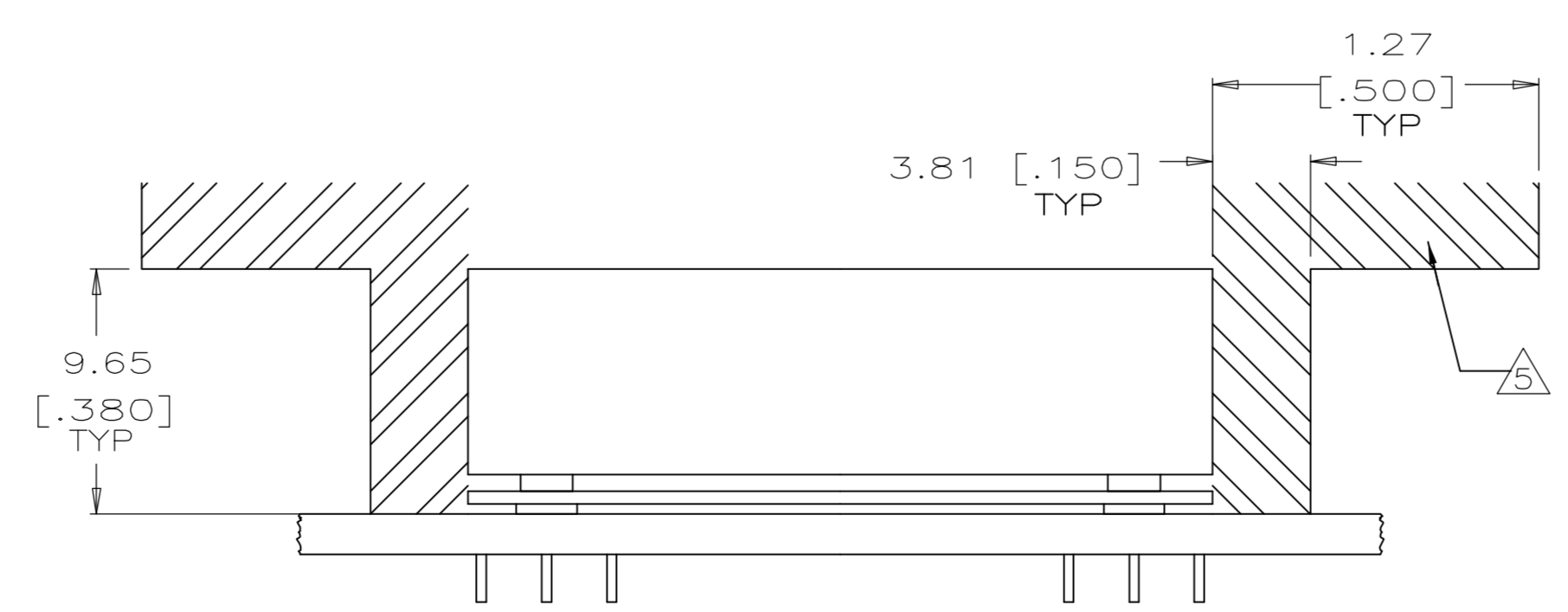
RECOMMENDED P.C. BOARD HOLE PATTERN  
 SOCKET SIDE  
 132 POSN.  
 SEE SHEET 2 132 POSN FOR DIMENSIONS



RECOMMENDED P.C. BOARD HOLE PATTERN  
 SOCKET SIDE  
 164 POSN.  
 SEE SHEET 2 164 POSN FOR DIMENSIONS



CHIP POLARIZATION REFERENCE VIEW  
 (PIN NUMBERING ON THIS SHEET IS FOR OFF CENTER LOCATION OF PIN 1 IDENTIFIER)



MICRO-PITCH SOCKET

THIS DRAWING IS A CONTROLLED DOCUMENT.		DWN K.SALMON 10-13-90		Tyco Electronics Corporation Harrisburg, Pa	
DIMENSIONS: INCHES		CHK R.MILLER 10-13-90		NAME F. BOYD 10-13-90	MICRO-PITCH SOCKET HOUSING SUB-ASSEMBLY REVERSE FOOTPRINT
TOLERANCES UNLESS OTHERWISE SPECIFIED:		APVD F. BOYD 10-13-90		RESTRICTED TO	
0 PLC ± -		PRODUCT SPEC		SIZE A1	
1 PLC ± -		APPLICATION SPEC		CAGE CODE 822064	
2 PLC ± -		WEIGHT		SCALE 10:1	
3 PLC ± 0.12[0.005]		CUSTOMER DRAWING		SHEET 3 OF 3	
4 PLC ± -		SCALE 10:1		REV H	
ANGLES ± -		SEE TABLE			