

Robots-Set ECBPi

ROB-SET ECBPi UR

Part no...:10.03.01.00504

<https://www.schmalz.com/10.03.01.00504>

Home > Vacuum Technology for Automation > Vacuum Components > Vacuum Generators > Vacuum Generators End-of-Arm > Handling Sets ECBPi > ROB-SET ECBPi UR

Complete set for connecting and integrating the CobotPump ECBPi to lightweight robots

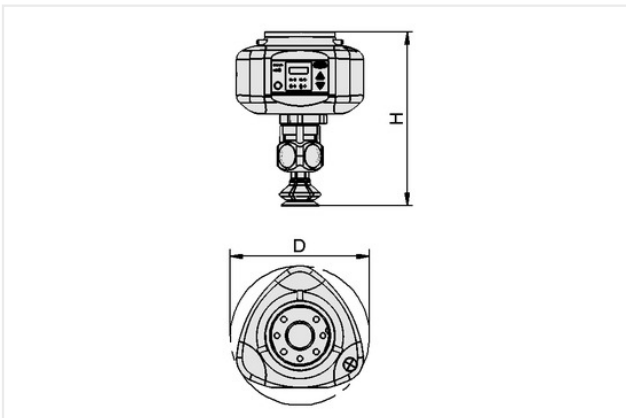


Construction use: CobotPump

for: Universal Robots

Type: 3,5,10

Design Data



Attribute	Value
H	188.80 mm
D	151.50 mm

Technical Data

Attribute	Value
Suction rate (max.)	12 l/min
Rated power	13 W
Rated current	0.60 A
Operating temperature	5 ... 45 °C
for	Universal Robots
Product family	ROB-SET-ECBPI

The technical properties of the robot types may vary by region. The stated compatibility of the set is based on standard European models.

Contact Schmalz

Schmalz Inc. | 5850 Oak Forest Drive, Raleigh, NC 27616, United States | +1 (919) 713-0880 | schmalz.us@schmalz.com

Robots-Set ECBPi

ROB-SET ECBPi UR

Part no...:10.03.01.00504

<https://www.schmalz.com/10.03.01.00504>

Accessories



VEE 2xSPB1/SPF 154.3x42.3

Part no...:10.01.36.00268

Number of cups: 2

Suct. cups: Suction cup SPB1/SPF

Length L: 154.3 mm

Width B: 42.3 mm



VEE 4xSPB1/SPF 218.3

Part no...:10.01.36.00269

Number of cups: 4

Suct. cups: Suction cup SPB1/SPF

Length L: 218.3 mm



VEE SET-ECBPi

Part no...:10.01.36.00266

Robots-Set ECBPi

ROB-SET ECBPi UR

Part no...:10.03.01.00504

<https://www.schmalz.com/10.03.01.00504>



RFBP 50 50 BA SPB2

Part no...:10.01.45.00096

Length L: 50 mm

Width B: 50 mm

Connection: Bayonet connection

Suct. cups: Bellows suct. cup SPB2



RFBP 100 58 BA SPB2

Part no...:10.01.45.00091

Length L: 100 mm

Width B: 58 mm

Connection: Bayonet connection

Suct. cups: Bellows suct. cup SPB2



RFBP 100 58 BA O10

Part no...:10.01.45.00092

Length L: 100 mm

Width B: 58 mm

Connection: Bayonet connection

Material type: Foam O, Height 10 mm

Robots-Set ECBPi

ROB-SET ECBPi UR

Part no...:10.03.01.00504

<https://www.schmalz.com/10.03.01.00504>



RFBP 120 120 BA SPB2

Part no...:10.01.45.00085

Length L: 120 mm

Width B: 120 mm

Connection: Bayonet connection

Suct. cups: Bellows suct. cup SPB2



RFBP 120 120 BA O10

Part no...:10.01.45.00086

Length L: 120 mm

Width B: 120 mm

Connection: Bayonet connection

Material type: Foam O, Height 10 mm

Spare parts



SPF 40 ED-65 G1/4-AG

Part no...:10.01.01.13246

Size: 40

Suction cup material: Elastodur

Material hardness [Shore A]: 65 Shore A

Thread G1: G1/4"-M

Robots-Set ECBPi

ROB-SET ECBPi UR

Part no...:10.03.01.00504

<https://www.schmalz.com/10.03.01.00504>



SPB1 40 ED-65 G1/4-AG

Part no...:10.01.06.03498

Size: 40

Suction cup material: Elastodur

Material hardness [Shore A]: 65 Shore A

Thread G1: G1/4"-M

Number of folds: 1.5