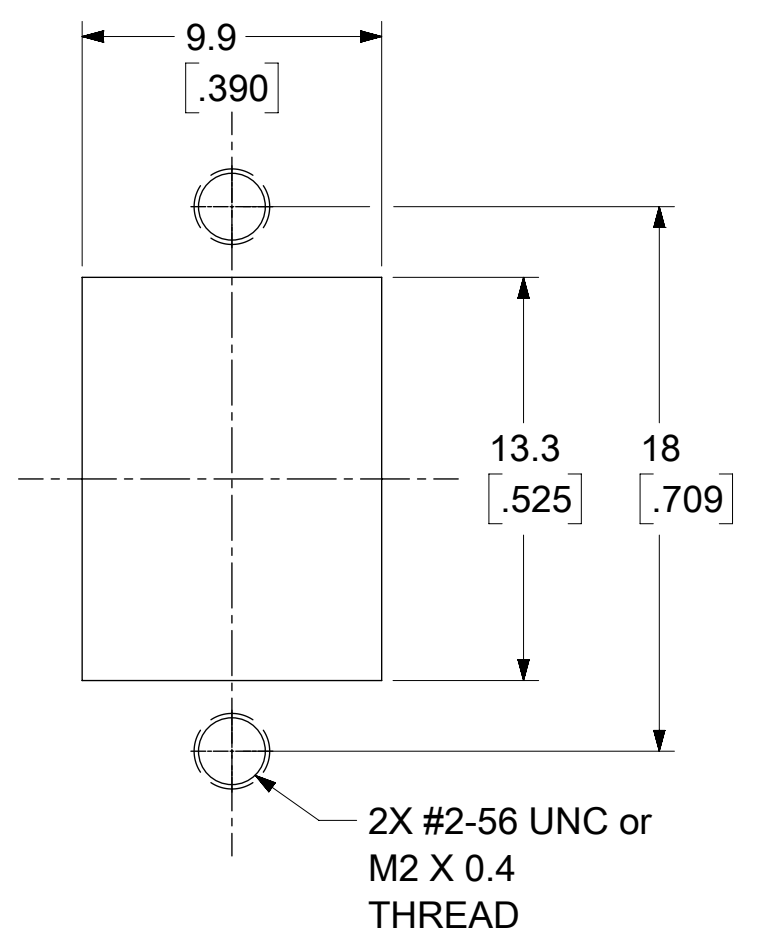
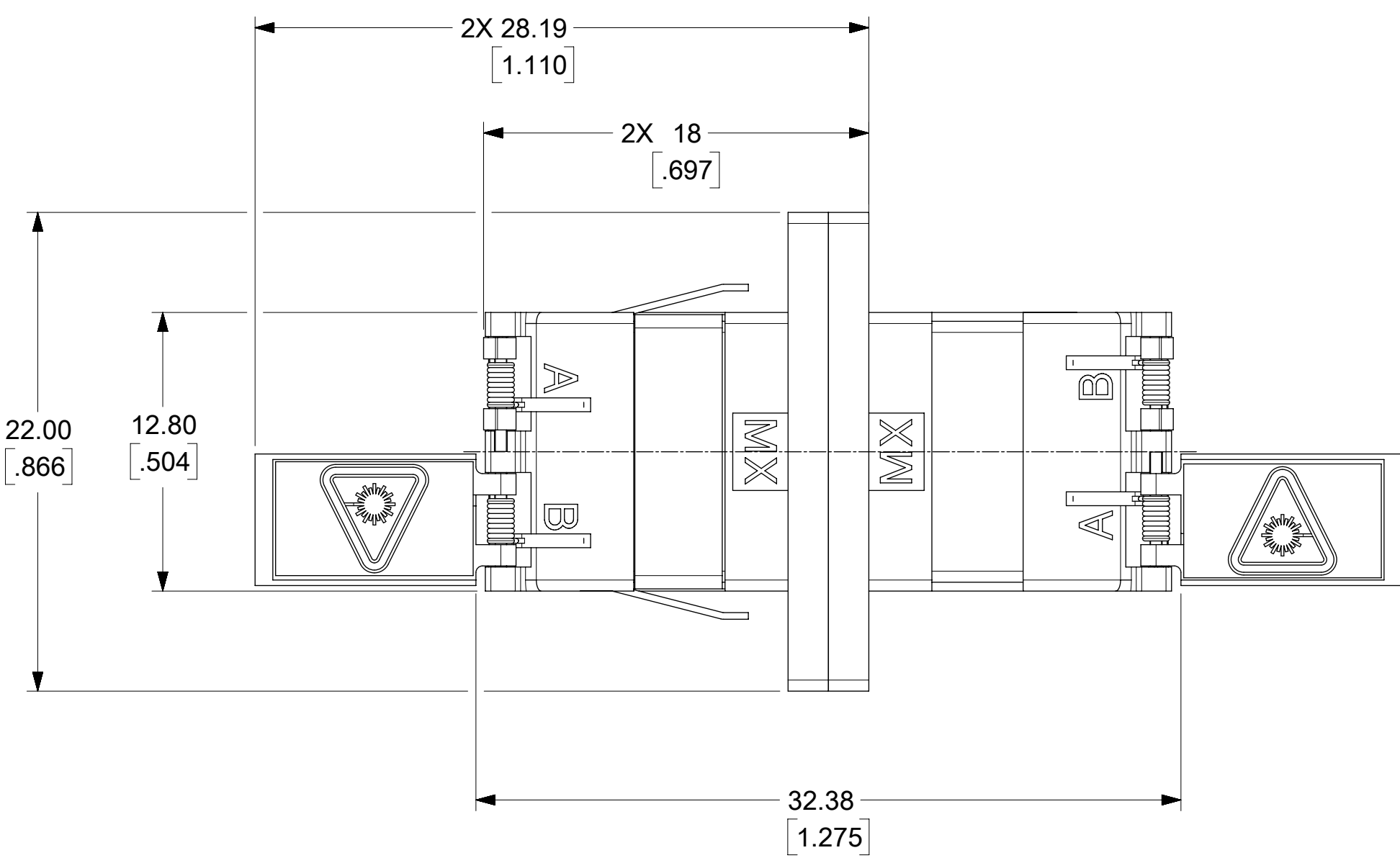
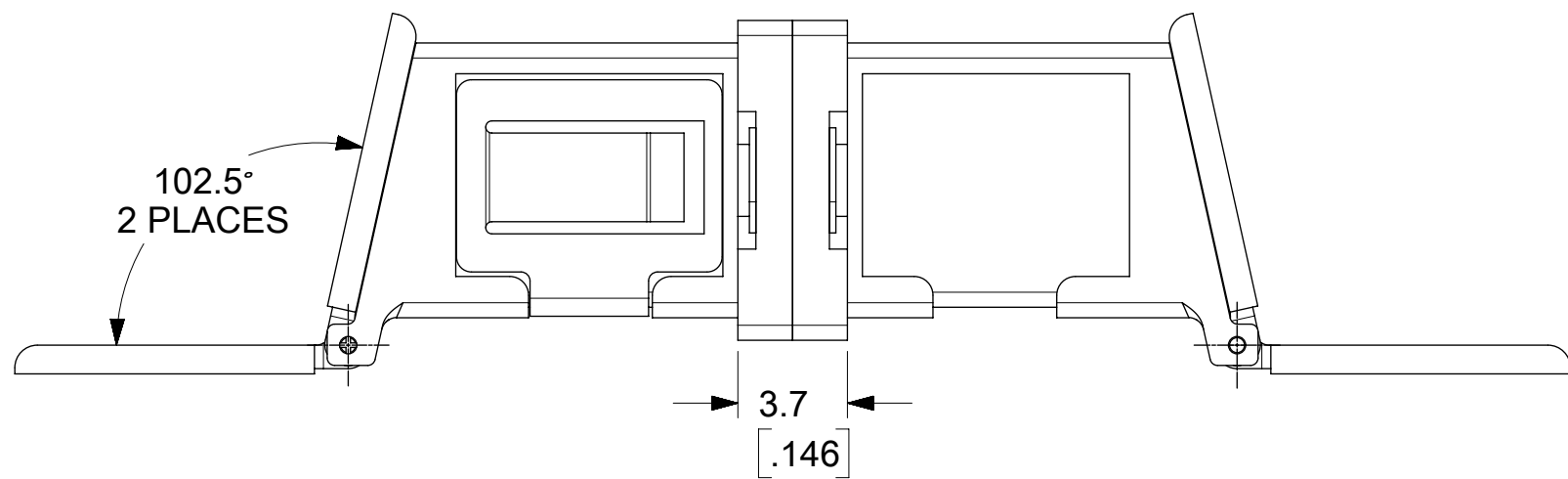
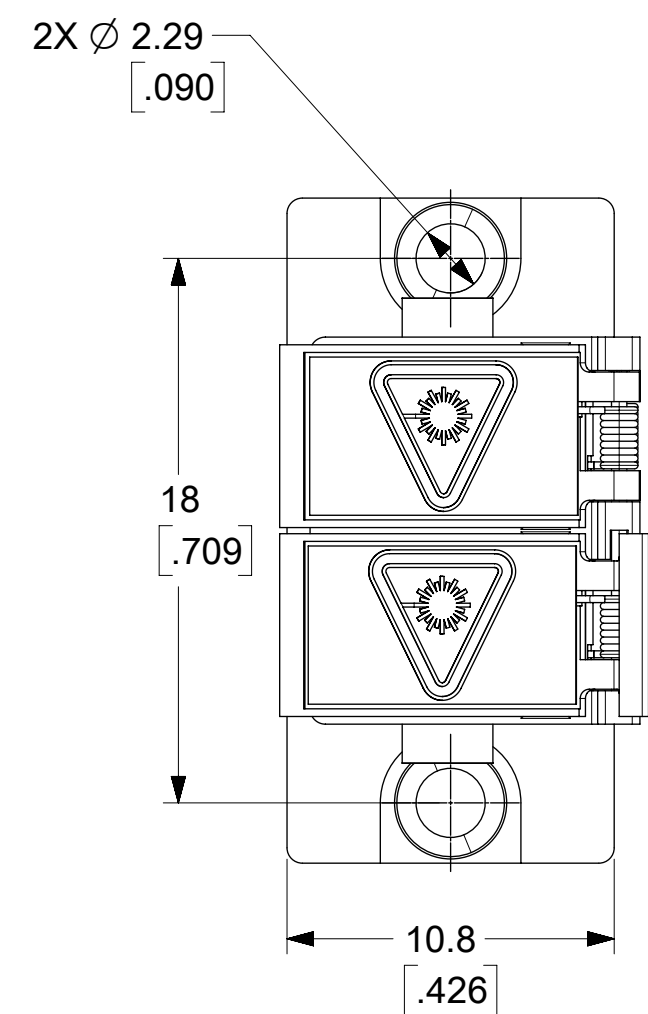
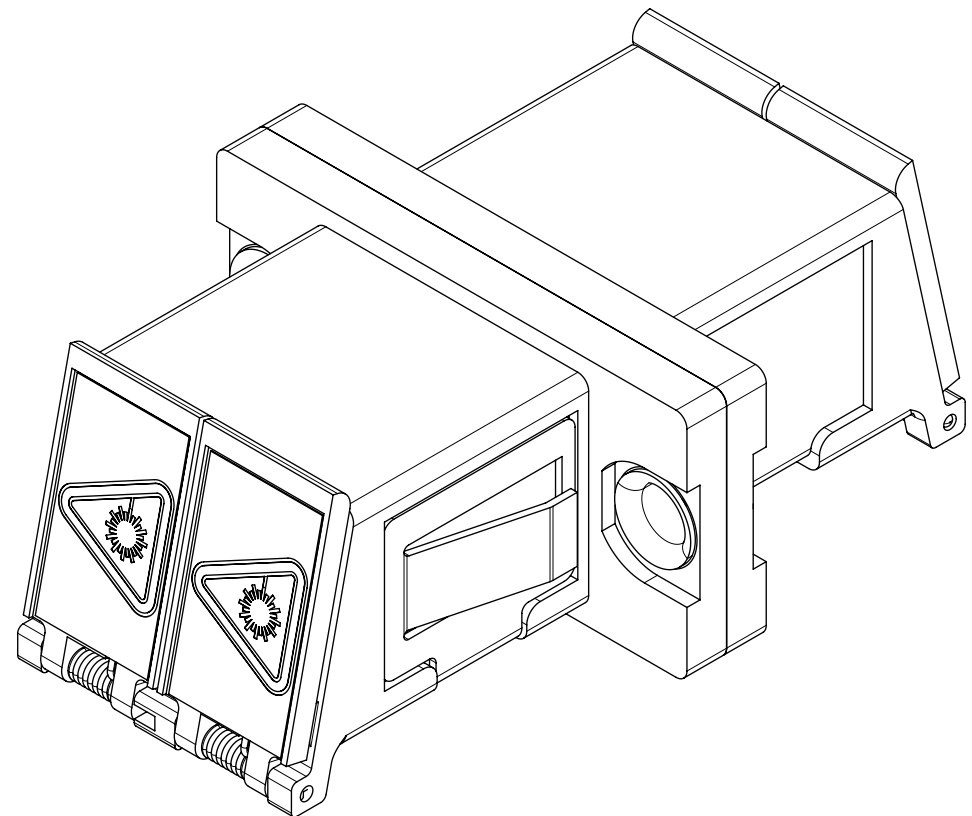


12	11	10	9	8	7	6	5	4	3	2	1
LC ADAPTER ASSY. P/N	LC SLEEVE MATERIAL										
1061280590	PH. BRONZE										
1061281590	ZR										



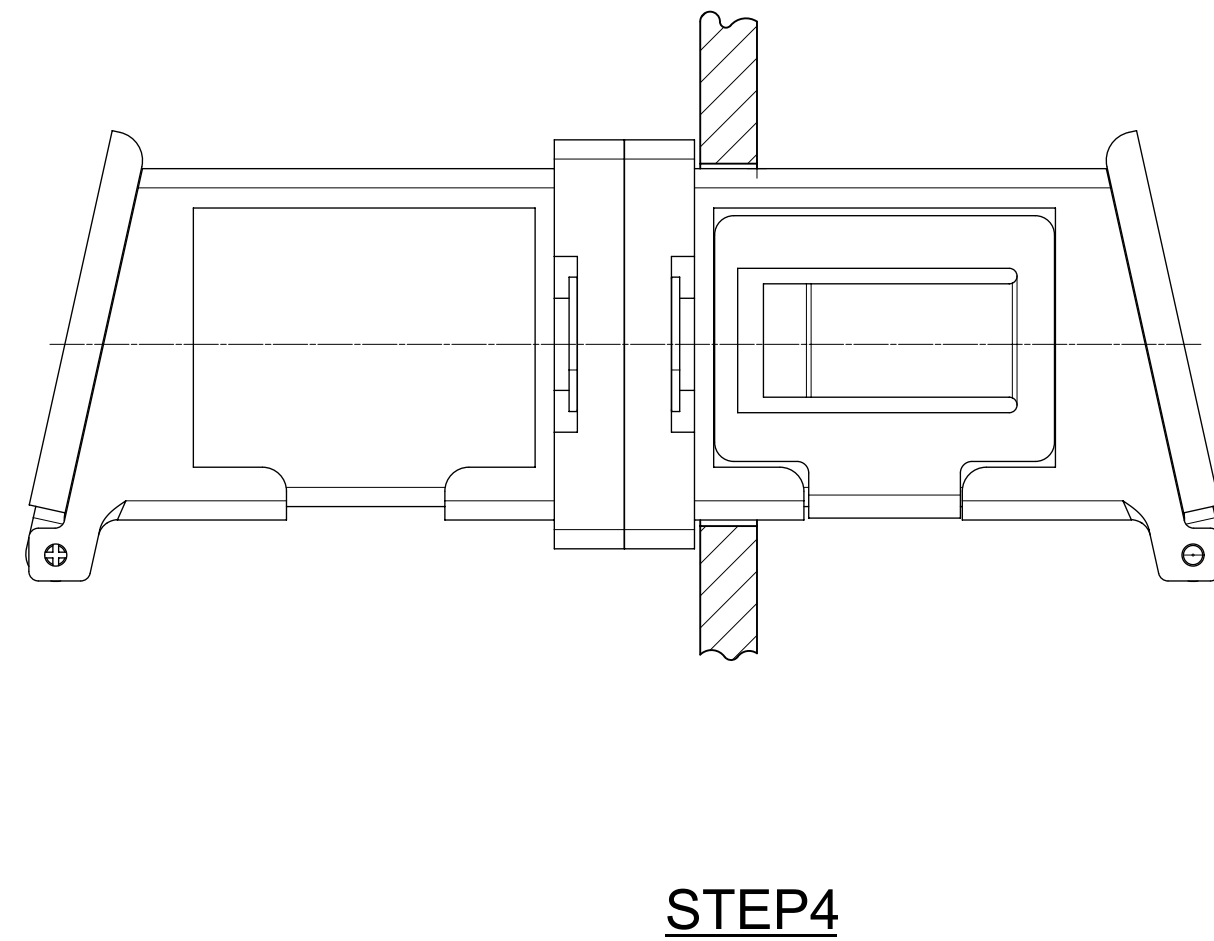
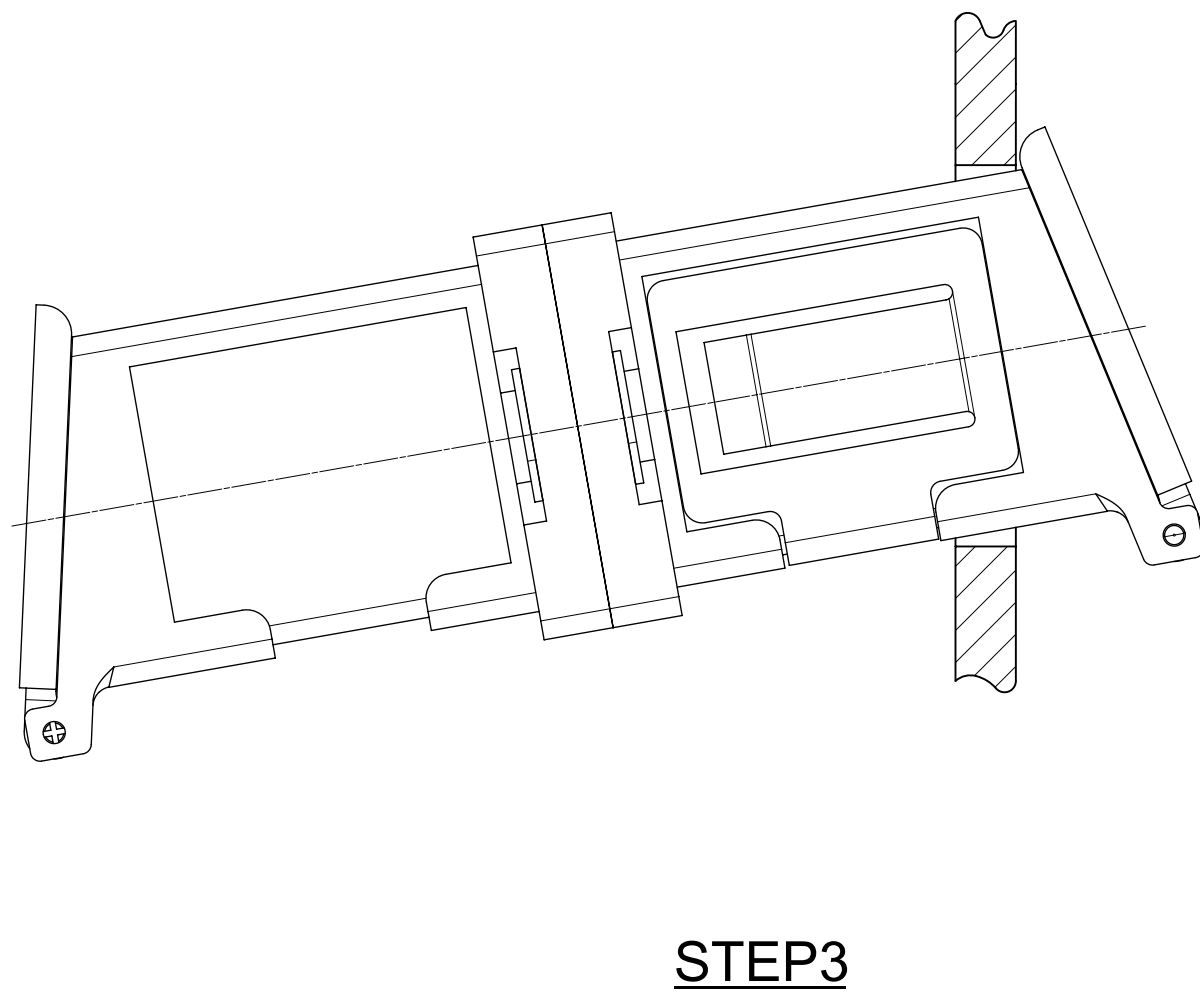
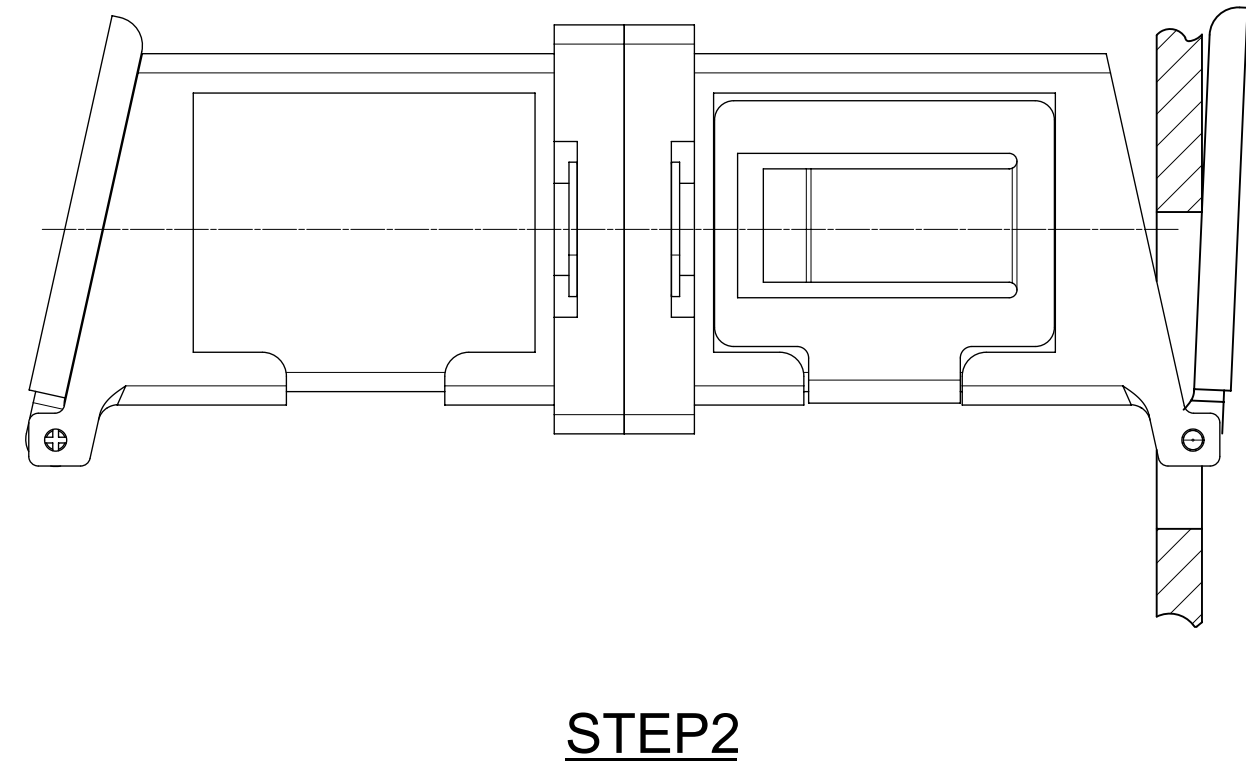
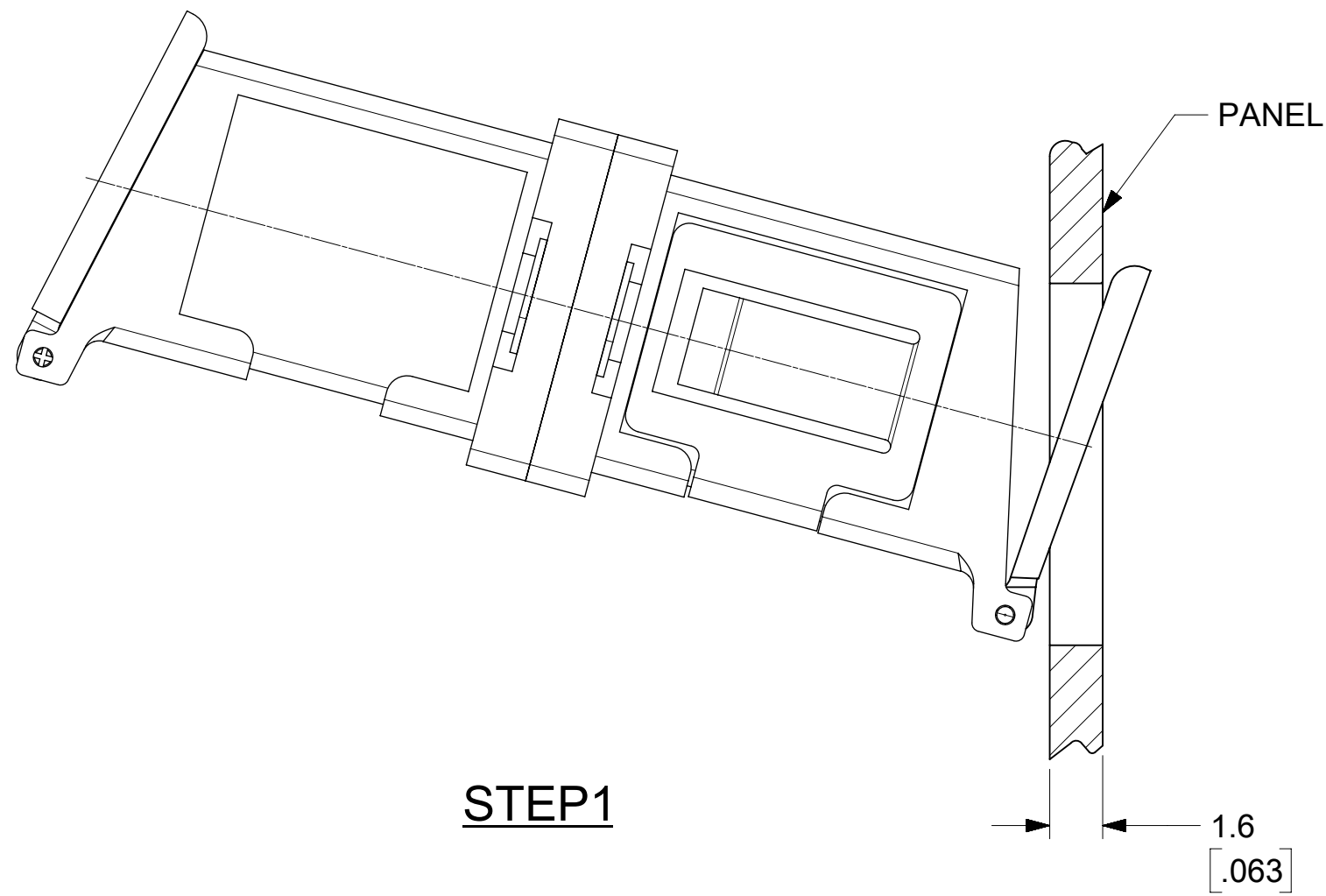
RECOMMENDED MOUNTING CUTOUT FOR 1.60 [.063] THICK PANEL



- NOTES:
1. ALL DIMENSIONS ARE FOR REFERENCE.
 2. ADAPTERS TO BE PACKAGED IN TRAY.
 3. LC DUPLEX ADAPTER HAS SC ADAPTER FOOTPRINT.

THIS DRAWING CONTAINS INFORMATION THAT IS PROPRIETARY TO MOLEX ELECTRONIC TECHNOLOGIES, LLC AND SHOULD NOT BE USED WITHOUT WRITTEN PERMISSION											
DIMENSION UNITS		SCALE		CURRENT REV DESC: MIGRATED TO NX						molex	
MM/IN		4:1									
GENERAL TOLERANCES (UNLESS SPECIFIED)				EC NO: 619398						METAL LC DUPLEX ADAPTER WITH SHUTTERS BOTH SIDES, SCREW AND SNAP MOUNT, SC FOOTPRINT	
ANGULAR TOL ± 0.5°				DRWN: NMUTHARAYAPP 2019/03/28							
4 PLACES ±				CHK'D: WCHEN 2019/07/04							
3 PLACES ±				APPR: WCHEN 2019/07/04						PRODUCT CUSTOMER DRAWING	
2 PLACES ±				INITIAL REVISION:						DOCUMENT NUMBER	
1 PLACE ±				DRWN: PGIBLIN 2005/10/25						SD-106128-X590	
0 PLACES ±				APPR: IGUMIN 2005/10/26						DOC TYPE DOC PART REVISION	
DRAFT WHERE APPLICABLE MUST REMAIN WITHIN DIMENSIONS				THIRD ANGLE PROJECTION		DRAWING		SERIES		MATERIAL NUMBER	
				C-SIZE		106128		CUSTOMER		SEE TABLE	
								GENERAL MARKET		SHEET NUMBER	
										1 OF 2	

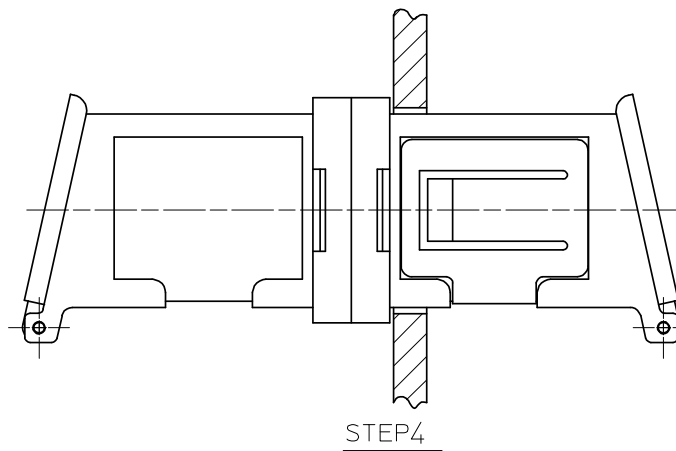
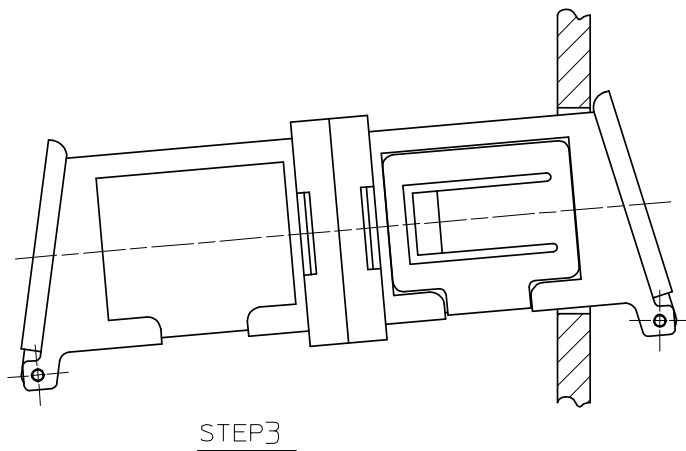
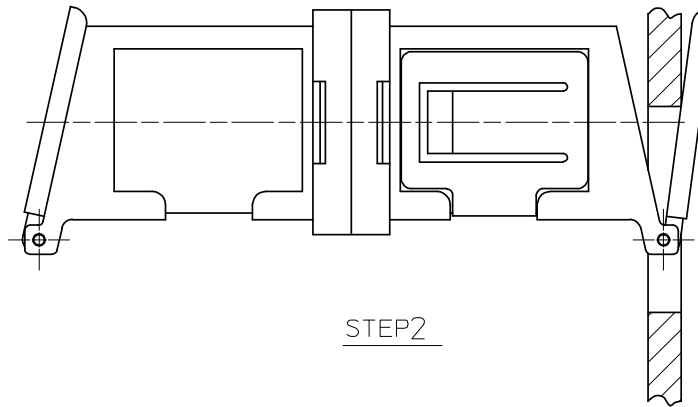
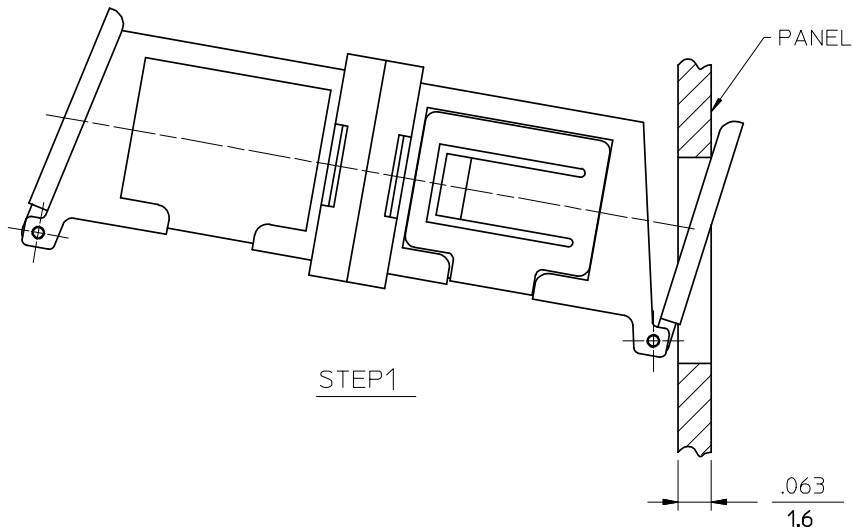
DOCUMENT STATUS	P1	RELEASE DATE	2019/07/04	01:08:08
-----------------	----	--------------	------------	----------



THIS DRAWING CONTAINS INFORMATION THAT IS PROPRIETARY TO MOLEX ELECTRONIC TECHNOLOGIES, LLC AND SHOULD NOT BE USED WITHOUT WRITTEN PERMISSION															
DIMENSION UNITS		SCALE		CURRENT REV DESC: MIGRATED TO NX											
MM/INCH		5:1		<p>molex</p> <p>METAL LC DUPLEX ADAPTER WITH SHUTTERS BOTH SIDES, SCREW AND SNAP MOUNT, SC FOOTPRINT</p> <p>PRODUCT CUSTOMER DRAWING</p>											
GENERAL TOLERANCES (UNLESS SPECIFIED)										EC NO: 619398		2019/03/28		DOCUMENT NUMBER	
ANGULAR TOL		± 0.5°								DRWN: NMUTHARAYAPP		2019/07/04		DOC TYPE	
4 PLACES		±								CHK'D: WCHEN		2019/07/04		DOC PART	
3 PLACES		±								APPR: WCHEN		2019/07/04		REVISION	
2 PLACES		±		INITIAL REVISION:											
1 PLACE		±		DRWN: PIGBLIN		2005/10/25		SD-106128-X590							
0 PLACES		±		APPR: IGUMIN		2005/10/26		PSD 001 B							
DRAFT WHERE APPLICABLE MUST REMAIN WITHIN DIMENSIONS				THIRD ANGLE PROJECTION		DRAWING		SERIES		MATERIAL NUMBER					
						C-SIZE		106128		SEE TABLE					
								CUSTOMER		SHEET NUMBER					
								GENERAL MARKET		2 OF 2					

DOCUMENT STATUS	P1	RELEASE DATE	2019/07/04	01:08:08
-----------------	----	--------------	------------	----------

10 9 8 7 6 5 4 3 2 1



ENTER DESCRIPTION E.C. NO: MF2009-0058 DRAWN: KPEVZNER CHKD: 2008/08/06 APPR: IGUMIN 2008/08/07 REV DESCRIPTION	QUALITY SYMBOLS	GENERAL TOLERANCES (UNLESS SPECIFIED)		DIMENSION STYLE IN/MM		SCALE 4:1	DESIGN UNITS INCH	THIRD ANGLE PROJECTION	
	▼=0	4 PLACES	mm	INCH	DRAWN BY PGIBLIN	DATE 2005/10/05	TITLE METAL LC DUPLEX ADAPTER		
	∇=0	3 PLACES	±---	±---	CHECKED BY		DATE		
		2 PLACES	±---	±---	APPROVED BY		DATE		
		1 PLACE	±---	±---	MATERIAL NO. 1061280590		DOCUMENT NO. SD-106128-X590		SHEET NO. 2 OF 2
A2		ANGULAR ±1/2°		DRAFT WHERE APPLICABLE MUST REMAIN WITHIN DIMENSIONS		MOLEX INCORPORATED THIS DRAWING CONTAINS INFORMATION THAT IS PROPRIETARY TO MOLEX INCORPORATED AND SHOULD NOT BE USED WITHOUT WRITTEN PERMISSION			

9 8 7 6 5 4 3 2 1