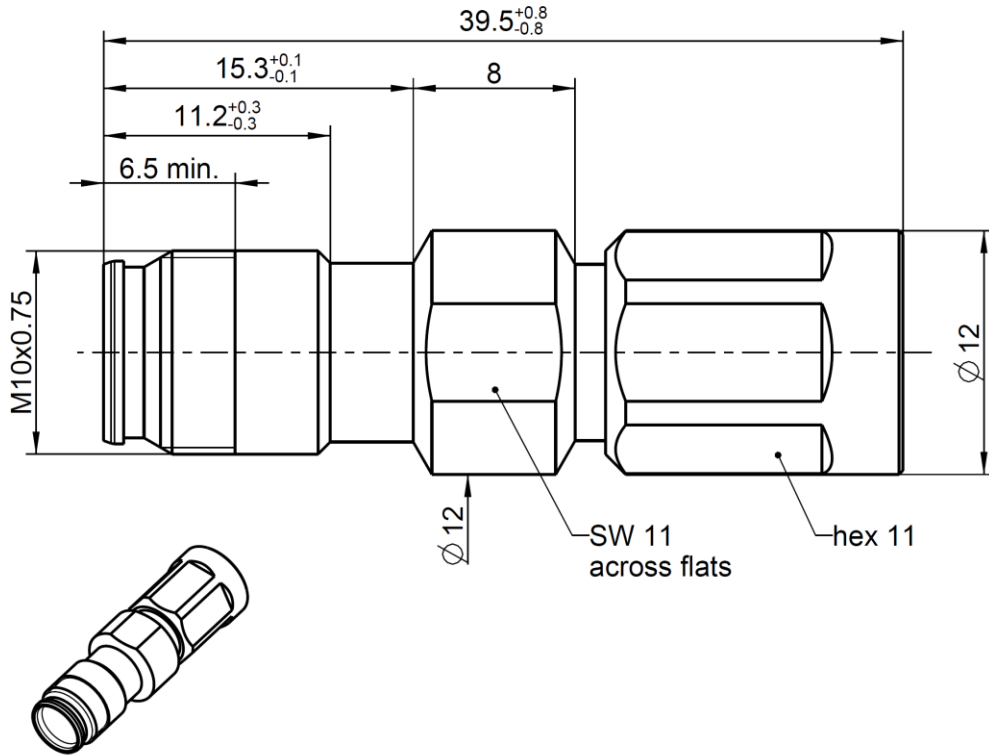


NEX10

Adaptor
NEX10® Plug – NEX10® Jack

89S101-K00N1



All dimensions are in mm; tolerances according to ISO 2768 m-H

Interface

According to NEX10®

Material and Plating

Connector parts

- Center contact
- Outer contact
- Body
- Dielectric
- Gasket

Material

- Brass
- Spring bronze
- Brass
- PTFE
- Silicone

Plating

- Silver, 3-6 µm
- Silver, 3-6 µm
- White bronze(e.g. Optalloy®)

Dieses Dokument ist urheberrechtlich geschützt • This document is protected by copyright • Rosenberger Hochfrequenztechnik GmbH & Co. KG

RFB00035/12.20/6.4

NEX10

Adaptor
NEX10® Plug – NEX10® Jack

89S101-K00N1

Electrical Data

Impedance	50 Ω
Frequency	DC to 20 GHz
Return loss	≥ 30 dB @ DC to 4 GHz ≥ 28 dB @ 4 GHz to 6 GHz ≥ 25 dB @ 6 GHz to 10 GHz
Insertion loss	≤ 0.05 x √ f [GHz] dB
Insulation resistance	≥ 5 GΩ
Center contact resistance	≤ 2,0 mΩ
Outer contact resistance	≤ 1.0 mΩ
Working voltage	500 V rms
RF-leakage	≥ 110 dB @ DC to 6 GHz
Power handling	100 W @ 2.0 GHz and 85°C ambient temperature

Mechanical Data

Mating cycles	≥ 100
Recommended torque	1.5 Nm

Environmental Data

Temperature range	-55 °C to +125 °C operating temperature
Thermal shock	IEC 61169-1 9.4.4
Vibration	IEC 61169-1 9.3.3 and IEC 60068-2-64
Shock	IEC 61169-1 9.3.14
Degree of protection (mated pair)	IEC 60529, IP68 24h / 1m
RoHS	compliant

Tooling

N/A

Suitable Cables

N/A

Weight

19 g/pc

While the information has been carefully compiled to the best of our knowledge, nothing is intended as representation or warranty on our part and no statement herein shall be construed as recommendation to infringe existing patents. In the effort to improve our products, we reserve the right to make changes judged to be necessary.

For the installation of the electrotechnical equipment, particular electrotechnical expertise is required.



Draft	Date	Approved	Date	Rev.	Engineering change number	Name	Date
F. Fraunhofer	15.02.2018	Chr. Janßen	17.02.2021	b00	20-1927	B. Wollitzer	17.02.2021
Rosenberger Hochfrequenztechnik GmbH & Co. KG P.O.Box 1260 D-84526 Tittmoning Germany www.rosenberger.com					Tel. : +49 8684 18-0 Email : info@rosenberger.com		Page 2 / 2