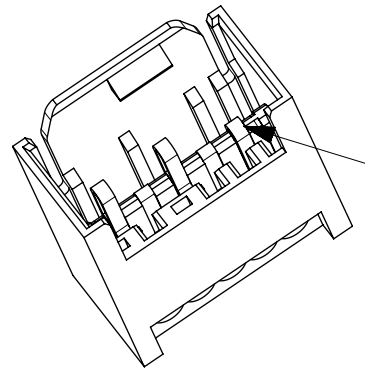
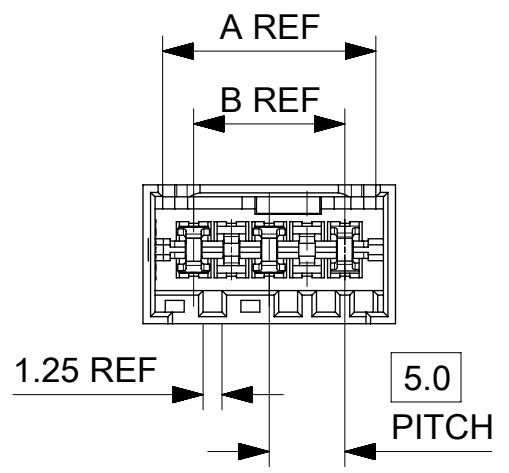
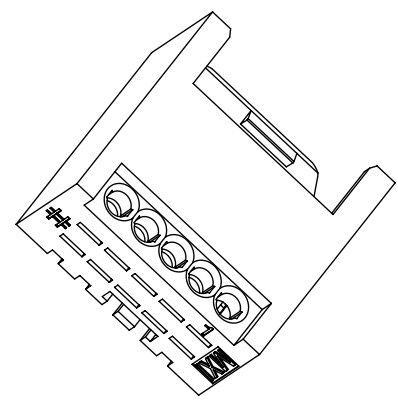


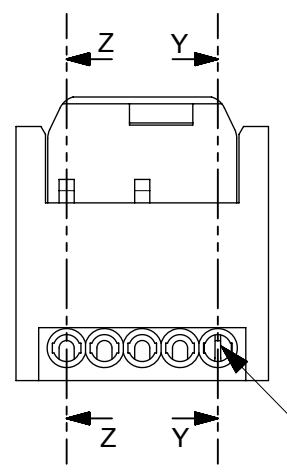
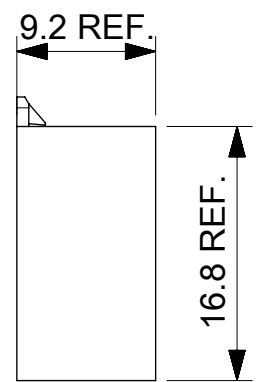
4000012329

3 CIRCUIT CONNECTOR SHOWN

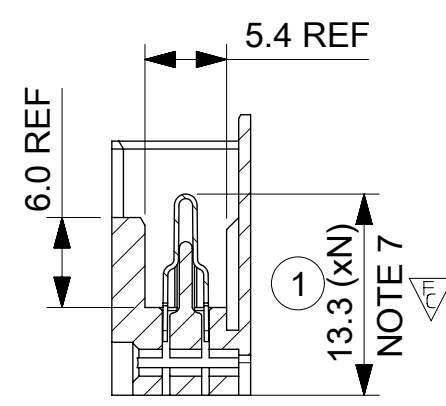
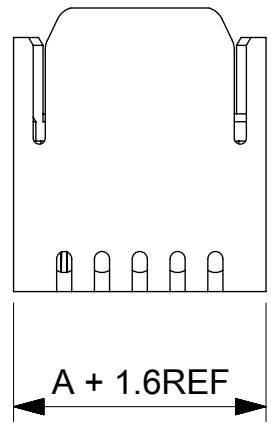
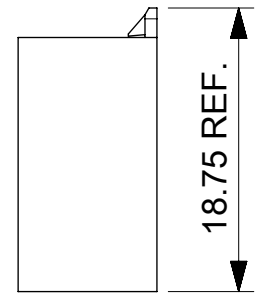
CKT	A	B
2	10.1	5.0
3	15.1	10.0
4	20.1	15.0
5	25.1	20.0
6	30.1	25.0
7	35.1	30.0
8	40.1	35.0



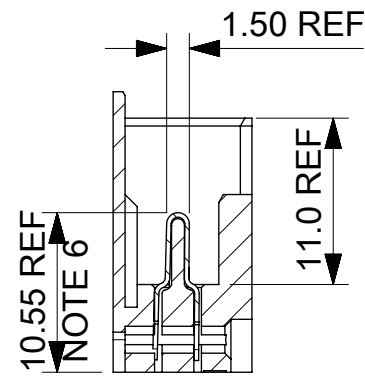
CIRCUIT 1  
NOTE 6



CIRCUIT 1  
NOTE 6



SECTION Z-Z



SECTION Y-Y

- NOTES:
- MATERIALS  
HOUSING: POLYAMIDE 6 (PA6)  
UL94-V2. COLOUR NATURAL  
TERMINAL: COPPER ALLOY  
PLATING: PRE PLATED HOT TIN DIP
  - PRODUCT CONFORMS TO SPECIFICATION PS-99020-0090.
  - MATES WITH RAST 2.5 APPLIMATE FEMALE CONNS.
  - SEE PACKAGING PK-93422-001
  - CONNECTOR DESIGNED FOR USE WITH PANEL 0.80MM TO 0.90MM THICKNESS.
  - TERMINATED HEIGHT. CIRCUIT 1 SHOWN IN TERMINATED POSITION ONLY FOR PURPOSE OF DIMENSIONING TERMINATED HEIGHT POSITION.
  - TERMINAL PRE-TERMINATED HEIGHT. N=NUMBER OF CIRCUITS.
  - SEE APPLICATION SPEC AS-99033-010.
  - CONNECTOR DESIGNED TO RAST 2.5 STANDARD.

LAST INSPECTION NUMBER: 1

THIS DRAWING CONTAINS INFORMATION THAT IS PROPRIETARY TO MOLEX ELECTRONIC TECHNOLOGIES, LLC AND SHOULD NOT BE USED WITHOUT WRITTEN PERMISSION										
DIMENSION UNITS	SCALE	CURRENT REV DESC: DOC TYPE UPDATED								
mm	2:1									
GENERAL TOLERANCES (UNLESS SPECIFIED)										
ANGULAR TOL	± 0.5°	EC NO: 608137 DRWN: AKABADI 2018/11/23 CHK'D: TCLEARY 2018/12/10 APPR: DRYAN 2018/12/11								
4 PLACES	±	WIRE TO WIRE HEADER ASSEMBLY FLYING HEADER 5MM PITCH 0.22-0.38MM2 CABLE								
3 PLACES	±									
2 PLACES	± 0.05	PRODUCT CUSTOMER DRAWING								
1 PLACE	± 0.1	INITIAL REVISION:				DOCUMENT NUMBER		DOC TYPE		DOC PART
0 PLACES	±	DRWN: TJMURPHY 2016/03/21				934250001		PSD		000
DRAFT WHERE APPLICABLE MUST REMAIN WITHIN DIMENSIONS		THIRD ANGLE PROJECTION		DRAWING	SERIES	MATERIAL NUMBER	CUSTOMER		SHEET NUMBER	
				A3-SIZE	93425	SEE CHARTS	GENERAL MARKET		1 OF 2	

2 Circuit			
MOLEX PART NO.	MOLEX HSG PART NO.	BLOCKED POSITION KEYS	CONFIGURATION (SEE NOTES)
93425-0001	93429-0301	NONE	
93425-0008	93429-0302	c d	

5 Circuit			
MOLEX PART NO.	MOLEX HSG PART NO.	BLOCKED POSITION KEYS	CONFIGURATION (SEE NOTES)
93425-3001	93429-0901	NONE	

8 Circuit			
MOLEX PART NO.	MOLEX HSG PART NO.	BLOCKED POSITION KEYS	CONFIGURATION (SEE NOTES)
93425-6001	93429-1501	NONE	

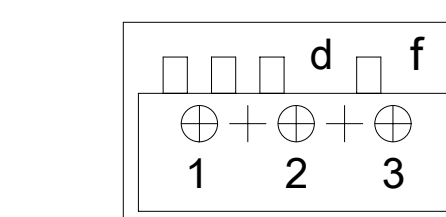
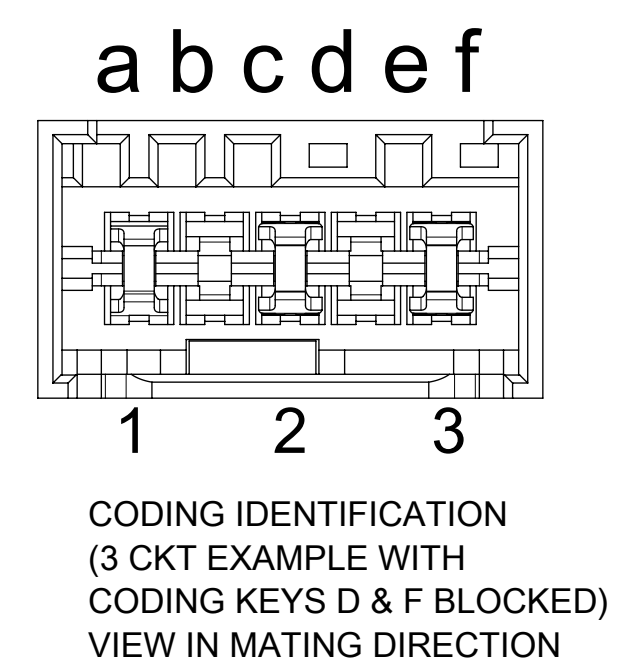
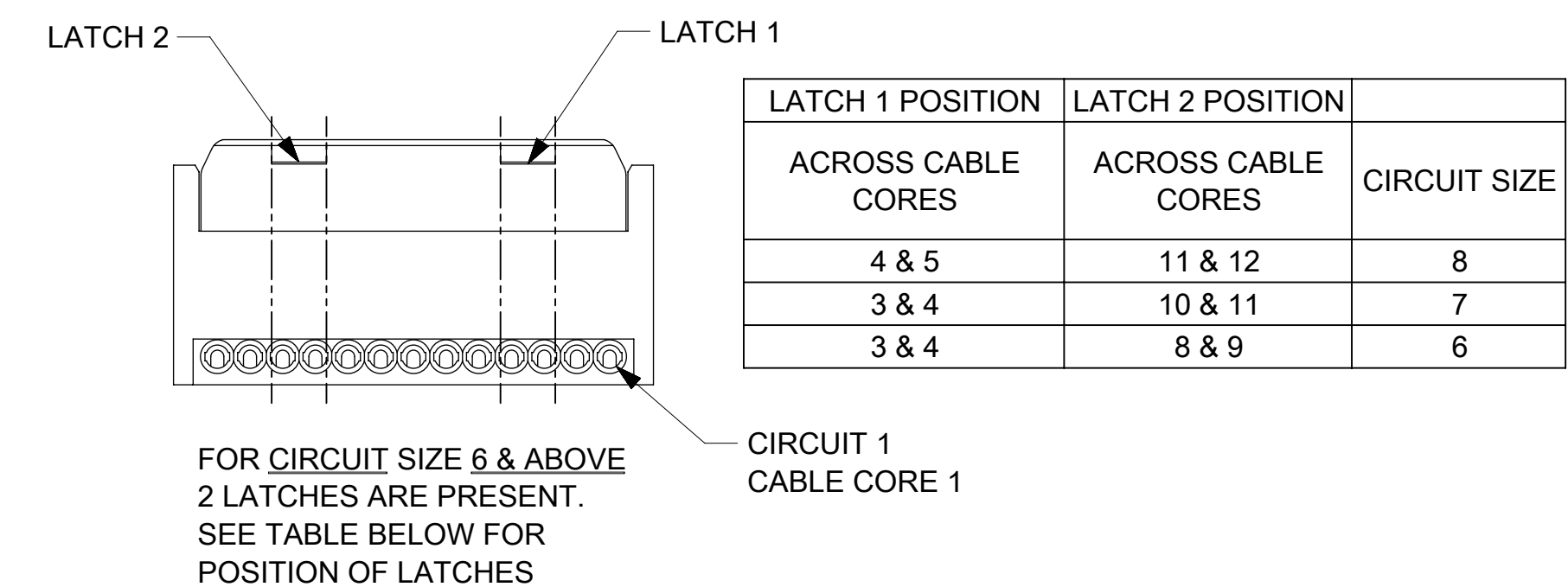
3 Circuit			
MOLEX PART NO.	MOLEX HSG PART NO.	BLOCKED POSITION KEYS	CONFIGURATION (SEE NOTES)
93425-1001	93429-0501	NONE	

6 Circuit			
MOLEX PART NO.	MOLEX HSG PART NO.	BLOCKED POSITION KEYS	CONFIGURATION (SEE NOTES)
93425-4001	93429-1101	NONE	

4 Circuit			
MOLEX PART NO.	MOLEX HSG PART NO.	BLOCKED POSITION KEYS	CONFIGURATION (SEE NOTES)
93425-2001	93429-0701	NONE	

7 Circuit			
MOLEX PART NO.	MOLEX HSG PART NO.	BLOCKED POSITION KEYS	CONFIGURATION (SEE NOTES)
93425-5001	93429-1301	NONE	

EXAMPLE CIRCUIT SIZE 7 SHOWN BELOW



- NOTES:
- ⊕ DENOTES LOADED TERMINAL POSITION  
+ DENOTES VOIDED TERMINAL POSITION
  - MOLEX HOUSING NUMBER FOR REFERENCE ONLY

THIS DRAWING CONTAINS INFORMATION THAT IS PROPRIETARY TO MOLEX ELECTRONIC TECHNOLOGIES, LLC AND SHOULD NOT BE USED WITHOUT WRITTEN PERMISSION									
DIMENSION UNITS	SCALE	CURRENT REV DESC: DOC TYPE UPDATED							
mm	4:1	 WIRE TO WIRE HEADER ASSEMBLY FLYING HEADER 5MM PITCH 0.22-0.38MM2 CABLE PRODUCT CUSTOMER DRAWING DOCUMENT NUMBER: 934250001 DOC TYPE: PSD DOC PART: 000 REVISION: D MATERIAL NUMBER: SEE CHARTS CUSTOMER: GENERAL MARKET SHEET NUMBER: 2 OF 2							
GENERAL TOLERANCES (UNLESS SPECIFIED)									
ANGULAR TOL	± 0.5°								
4 PLACES	±								
3 PLACES	±								
2 PLACES	± 0.05								
1 PLACE	± 0.1	EC NO: 608137	DRWN: AKABADI		2018/11/23				
0 PLACES	±	CHK'D: TCLEARY	APPR: DRYAN		2018/12/10				
DRAFT WHERE APPLICABLE MUST REMAIN WITHIN DIMENSIONS		THIRD ANGLE PROJECTION		DRAWING		SERIES			
				A1-SIZE		93425			