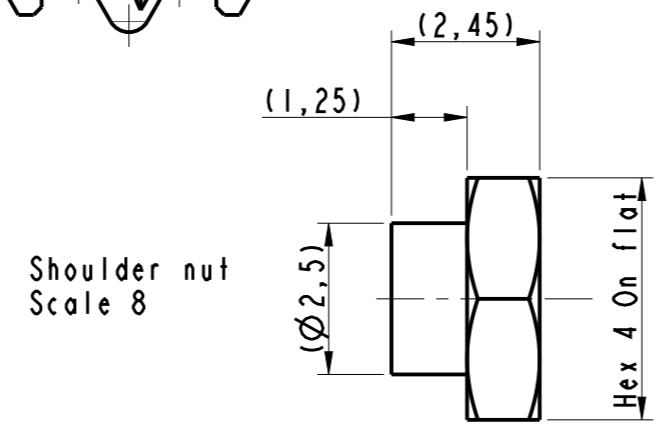
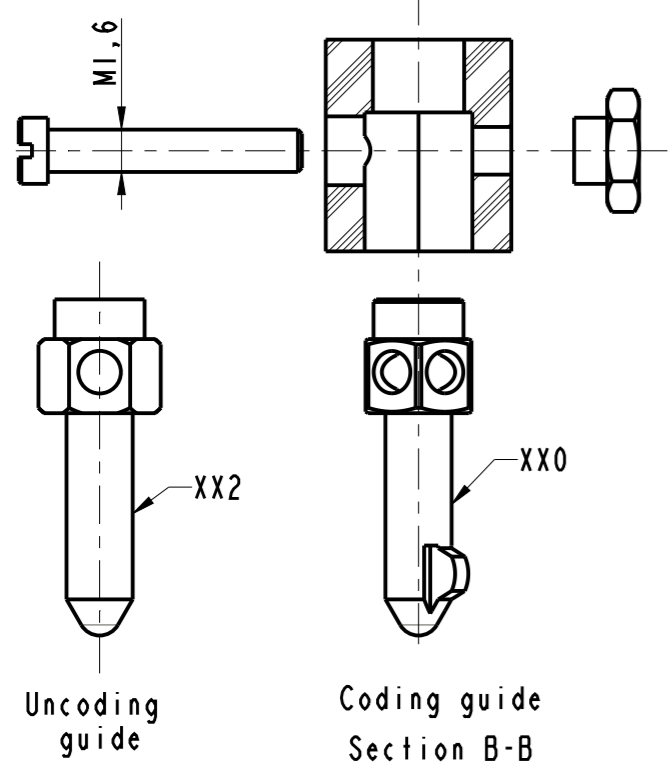
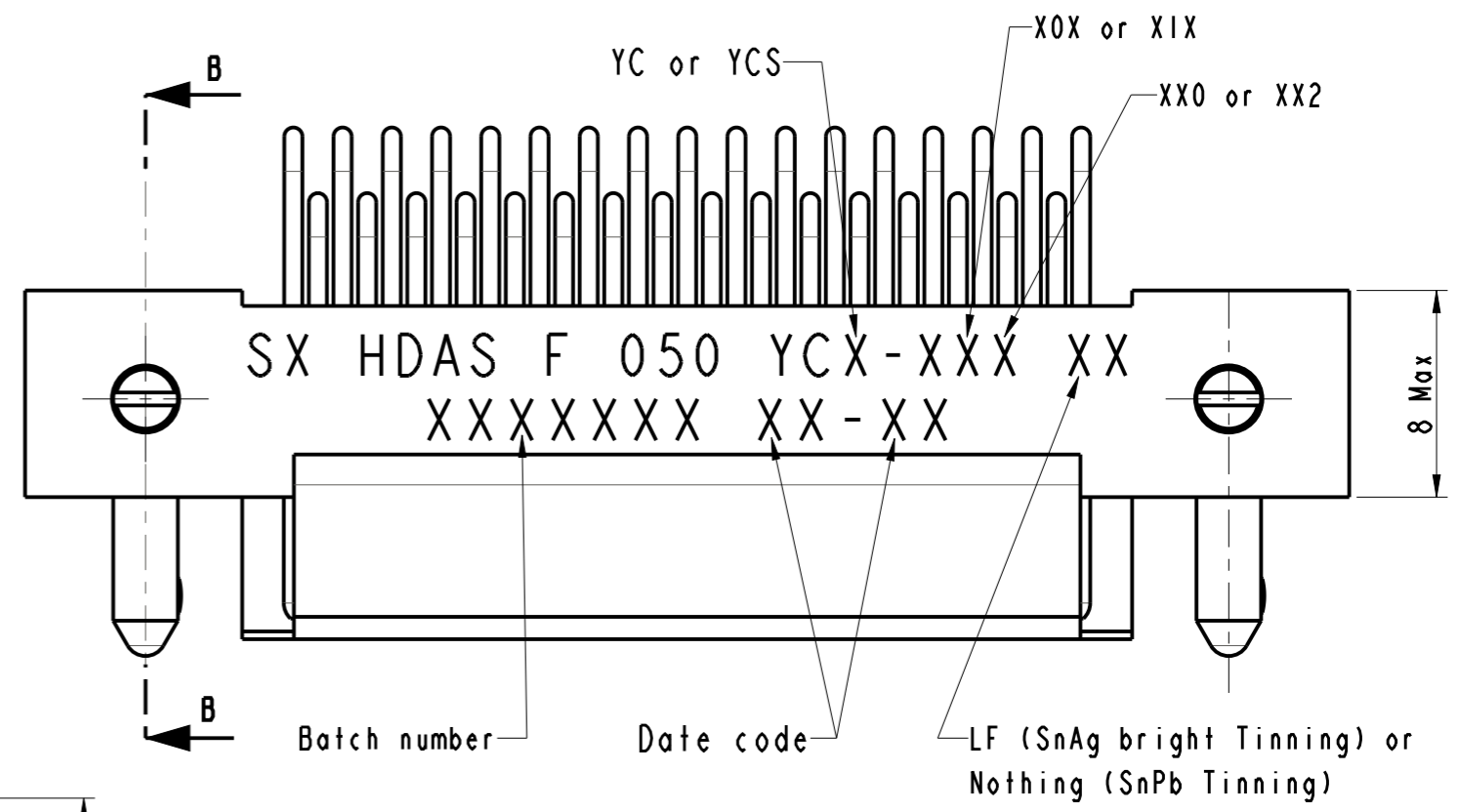
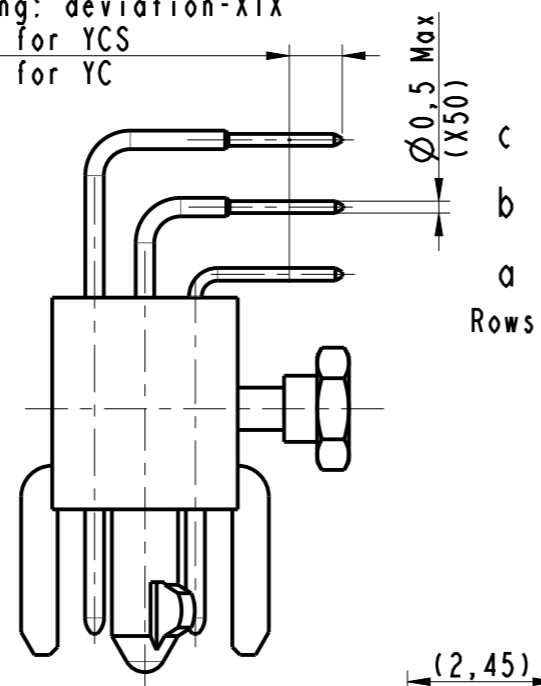


Tinnyng: deviation-XIX  
 2 Min for YCS  
 3 Min for YC



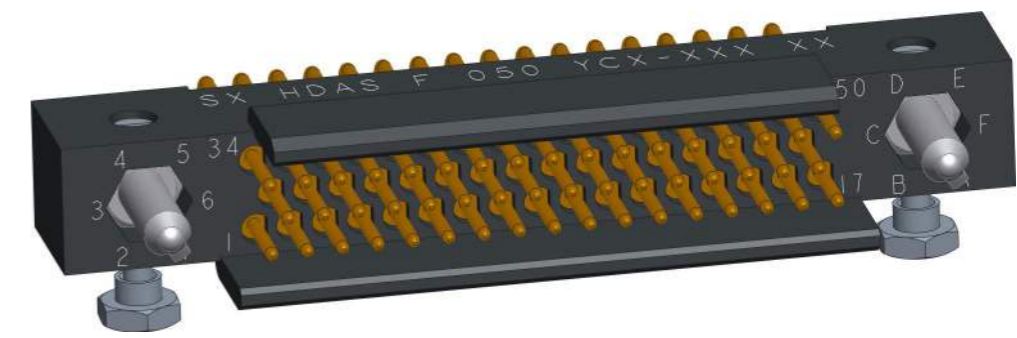
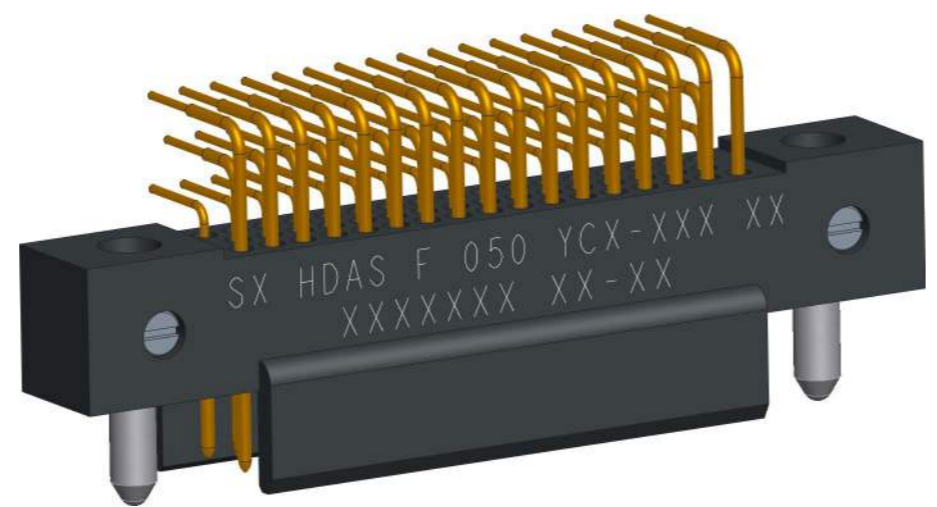
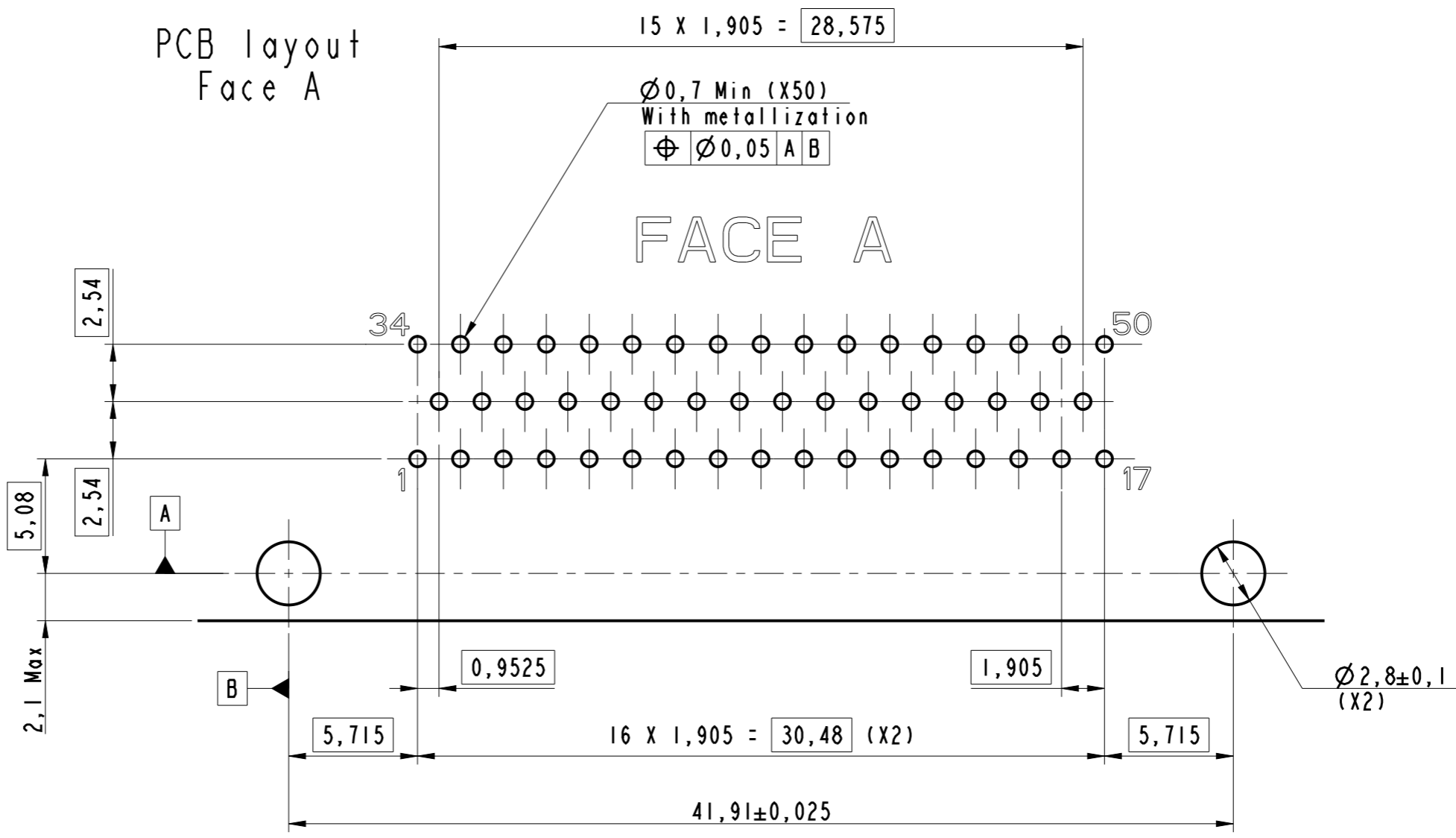
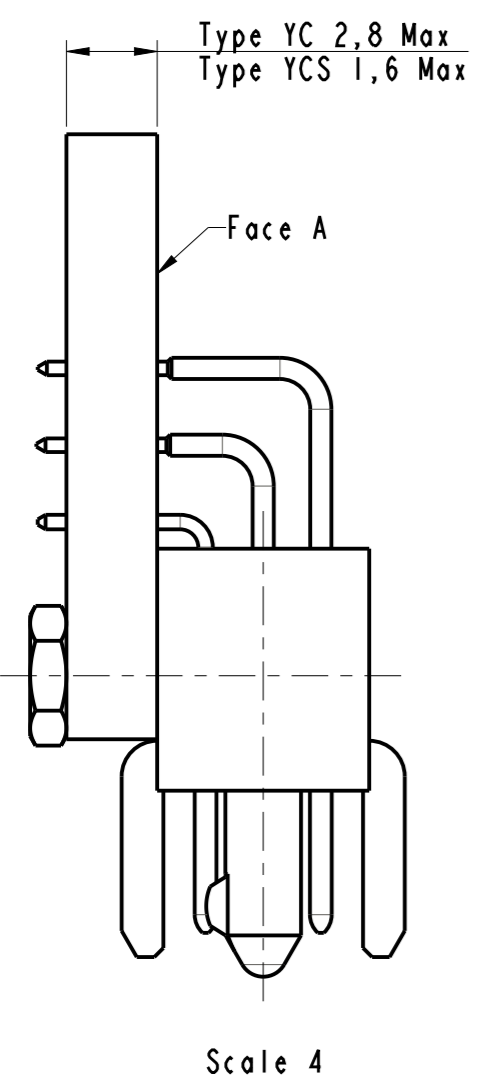
- Notes:
- Reference: HDAS F 050 YCX-XXX XX
  - External dimensions of the plug HDAS with 50 signal contacts type YCX
  - Connector delivered with fittings not assembled, coupling torque : 0,15 Nm
  - Standard OXX : Nickel plated over brass fittings.  
 Deviation IXX : Passivated stainless steel fittings.
  - Standard X0X : Contacts gold plated (RoHS)  
 Deviation XIX : Contacts tail Hot dip tinned SnPb (non RoHS) or SnAg (RoHS)

# HDAS F 050 YCX-XXX XX

DRAWN BY: S Satpute		UPDATED BY: S Satpute		LAST APPROVED BY: T Carrier	
ALL DIMENSIONS ARE IN MM	AMPHENOL SOCAPEX			ORIGINAL DRAWING DATE: 08/03/2017	CONFIGURATION DATA ARE AVAILABLE IN PDM
				SCALE: 3,5	REV: D
				169-PLC-1323-00	

IN THE CONSTANT PURPOSE OF IMPROVING ITS PRODUCTS, Amphenol Socapex RESERVES THE RIGHT TO MODIFY ANY DIMENSION OR CHARACTERISTICS. FM.NPD.0036.THYZE.PUNE rev C

IN THE CONSTANT PURPOSE OF IMPROVING ITS PRODUCTS, Amphenol Socapex RESERVES THE RIGHT TO MODIFY ANY DIMENSION OR CHARACTERISTICS.  
 FM.NPD.0036.THYZE.PUNE rev C



# HDAS F 050 YCX-XXX XX

DRAWN BY : S Satpute		UPDATED BY : S Satpute		LAST APPROVED BY : T Carrier	
ALL DIMENSIONS ARE IN MM	AMPHENOL SOCAPEX			ORIGINAL DRAWING DATE : 08/03/2017	CONFIGURATION DATA ARE AVAILABLE IN PDM
				REV : D	PAGE : 2/2
SCALE : 4	B.P. 29 74311 THYZE CEDEX			169-PLC-1323-00	