

NOTES:

RATED VOLTAGE: MAX. 63V AC/DC
 RATED CURRENT: MAX. 16A at 40°C (derating has to be considered)
 IP RATING: IP67 (mated and locked condition)
 TEMPERATURE RANGE: -25°C TO +85°C

CABLE PRINTING (sequence as shown below):
 - MOLEX engineering no. (see page 2)
 - MOLEX material no. (see page 2)
 - MOLEX MAX. 63V AC/DC MAX. 16 A USR
 - MOLEX AND DATE OF MANUFACTURING (YY=YEAR; WW=WEEK): MXYWW
 - Not for current interrupting
 - PROFINET 24V Power 4x2,5 + FE

PART ACCORDING PRODUCT SPEC: 1205010169
 PACKAGING ACCORDING PACKAGING SPEC: 1201202000

TABLE 1

POS	DESCRIPTION	MATERIAL	FINISH
1	NUT M12 MA	BRASS	Ni
2	CONTACT 15 MA	BRASS	Au
3	CONTACT 15 FE	BRASS	Au
4	INSERT	PA	GREY
5	OVERMOLD	TPE	BLACK
6	CABLE 5x2.5 D11.3 WSOR	PUR	GREY
OPTIONAL 7	ID CARRIER	-	-

FUNCTIONAL SYMBOLS $\nabla_A = 0$ $\nabla_E = 0$ $\nabla_F = 0$ DIVISIONAL SYMBOLS	THIS DRAWING CONTAINS INFORMATION THAT IS PROPRIETARY TO MOLEX ELECTRONIC TECHNOLOGIES, LLC AND SHOULD NOT BE USED WITHOUT WRITTEN PERMISSION	CURRENT REV DESC: UPDATED ATTRIBUTE TO GENERAL MARKET IN ECTR					
	DIMENSION UNITS: mm SCALE: 2:1 GENERAL TOLERANCES (UNLESS SPECIFIED) ANGULAR TOL ± 1.0° 4 PLACES ± 3 PLACES ± 2 PLACES ± 0.05 1 PLACE ± 0.3 0 PLACES ± 0.5	EC NO: 735577 DRWN: MARUTD 2023/01/12 CHK'D: RSILLER 2023/01/19 APPR: RSILLER 2023/01/19					
	DRAFT WHERE APPLICABLE MUST REMAIN WITHIN DIMENSIONS THIRD ANGLE PROJECTION 	DRAWING: A3-SIZE SERIES: 120500	DOCUMENT NUMBER: 1205000214 DOC TYPE: PSD DOC PART: 000 REVISION: A1	MATERIAL NUMBER: SEE TABLE 2 CUSTOMER: GENERAL MARKET SHEET NUMBER: 1 OF 2			

ENGINEERING NO - NUMERICAL CODE (Available parts see PART LIST table. Other parts available upon request).

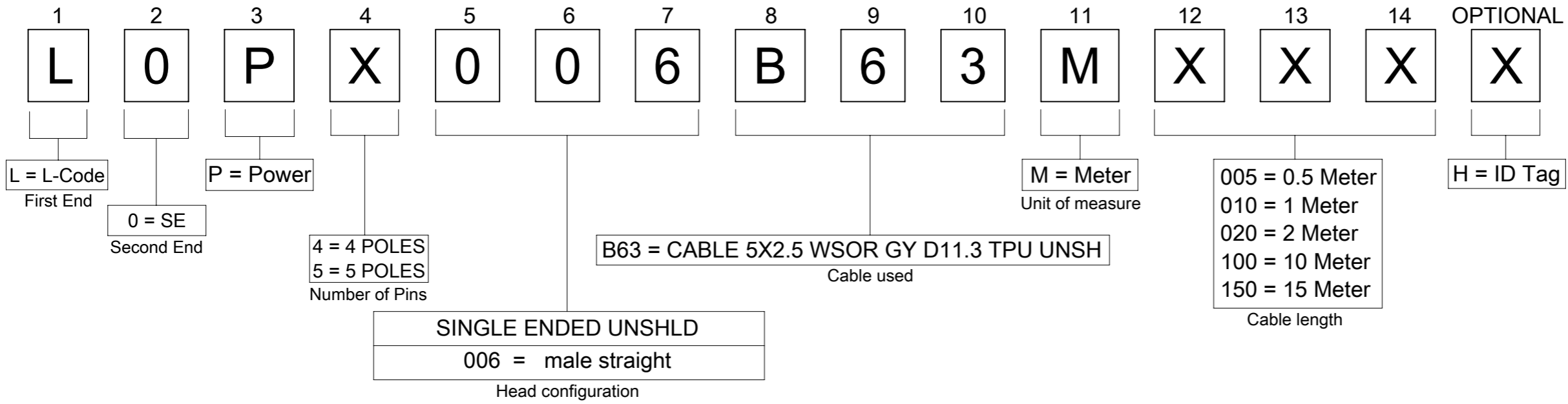


TABLE 2

NOMINAL SECTION 2,5mm ²			
MATERIAL NO.	ENGINEERING NO.	L [mm]	TOLERANCE [mm]
1205000214	L0P5006B63M010	1000	+40
1205000215	L0P5006B63M020	2000	+60
1205000216	L0P5006B63M030	3000	+60
1205000217	L0P5006B63M050	5000	+60
1205000218	L0P5006B63M100	10000	+80
1205000219	L0P5006B63M150	15000	+140
1205000220	L0P5006B63M200	20000	+140

FUNCTIONAL SYMBOLS	THIS DRAWING CONTAINS INFORMATION THAT IS PROPRIETARY TO MOLEX ELECTRONIC TECHNOLOGIES, LLC AND SHOULD NOT BE USED WITHOUT WRITTEN PERMISSION				
	DIMENSION UNITS	SCALE			
$\nabla_A = 0$	mm	1:1	EC NO: 735577 DRWN: MARUTD 2023/01/12 CHK'D: RSILLER 2023/01/19 APPR: RSILLER 2023/01/19		
$\nabla_E = 0$	GENERAL TOLERANCES (UNLESS SPECIFIED)				
$\nabla_Z = 0$	ANGULAR TOL $\pm 1.0^\circ$		INITIAL REVISION: DRWN: FDAFERNER 2020/01/29 APPR: RSILLER 2021/03/15		
DIVISIONAL SYMBOLS	4 PLACES	\pm			
	3 PLACES	\pm	MATERIAL NUMBER: SEE TABLE 2 CUSTOMER: GENERAL MARKET SHEET NUMBER: 2 OF 2		
	2 PLACES	± 0.05			
	1 PLACE	± 0.3	THIRD ANGLE PROJECTION		
	0 PLACES	± 0.5			
			THIRD ANGLE PROJECTION		