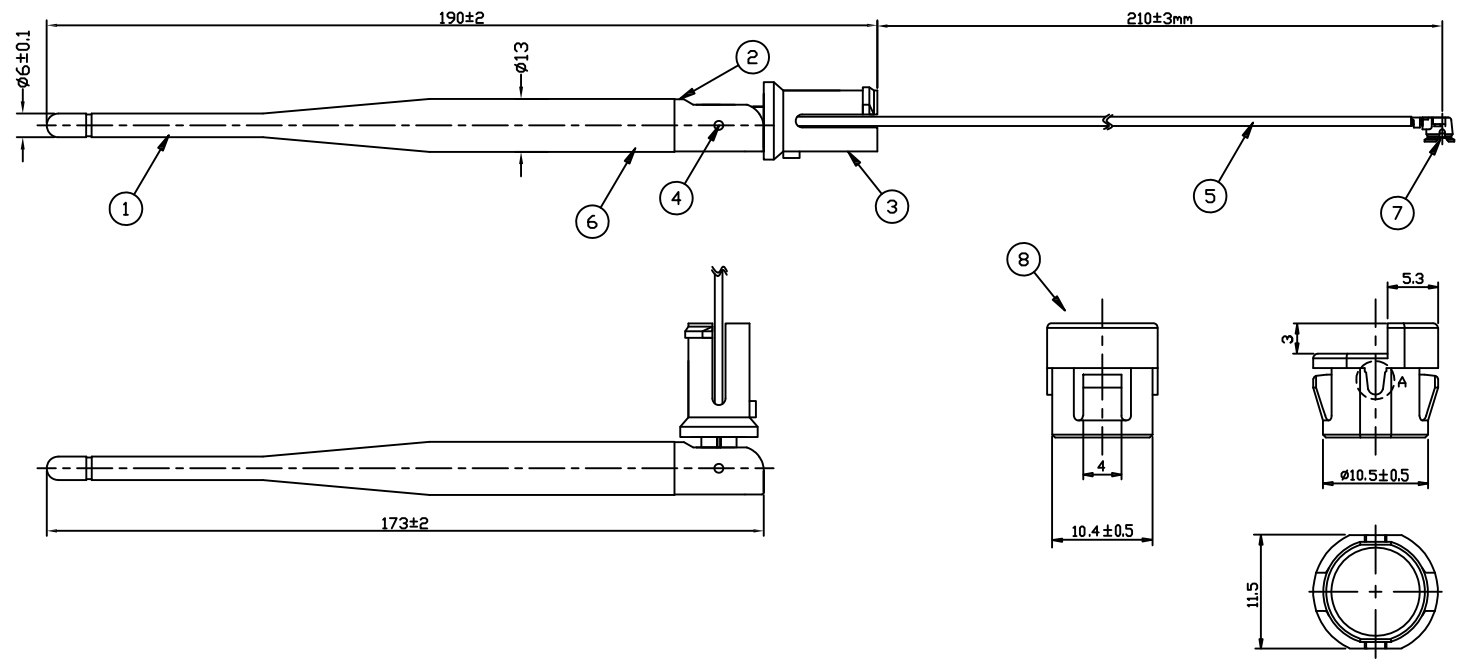


Rev	AWO #	Description	Date	Appr
-		RELEASED	11/15/18	

APPROVED: _____

DATE: _____ TITLE: _____

CUSTOM CABLE ASSEMBLIES ARE NON-CANCELLABLE / NON-RETURNABLE



8	BODY	PC;BLACK
7	CONNECTOR	IPEX
6	GROUND TUBE	BRASS;NI-PLATED
5	CABLE	Ø1.13mm CABLE, BLACK
4	RIVET	PDM;COLOR:BLACK
3	BTTOM BASE	PC;COLOR:BLACK
2	UPPER BASE	PC;COLOR:BLACK
1	ANTENNA CAP	TPE;COLOR:BLACK
ITEM	PART NAME	Material

UNLESS OTHERWISE SPECIFIED
ALL DIMENSIONS ARE MILLIMETERS
TOLERANCES: EXCEPT AS NOTED

MM
X ± 0.50
X.X ± 0.20
X.XX ± 0.10

APPROVALS		DATE
DRAWN	AY	11/15/18
CHECKED	AC	11/15/18
APPROVED		

ADAM TECH INTERCONNECTS 909 Rahway Avenue,
Union, NJ 07083
Phone: 908-687-5000
Fax: 908-687-5710

TITLE: WIFI EXTERNAL ANTENNA

SIZE	PART NO.	REV.
X	ANT-DK-WLA1DL-5L021010-C	-
REF: S00291T	SCALE: NTS	SHEET 1 OF 1

ENVIRONMENTAL:
LEAD FREE, ROHS COMPLIANT

