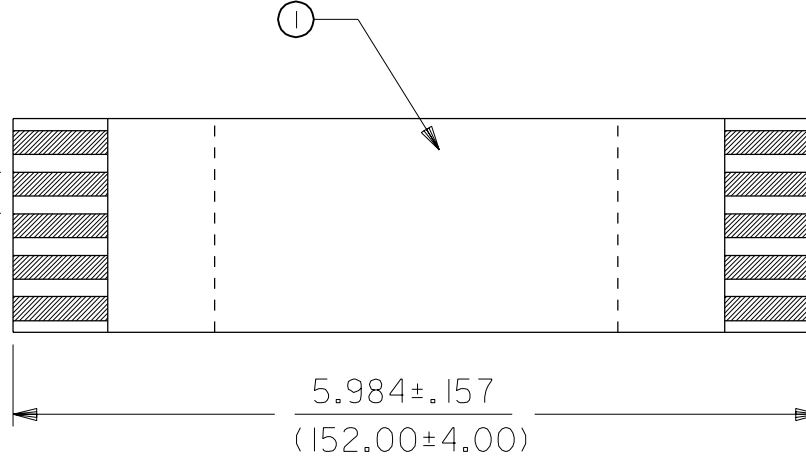
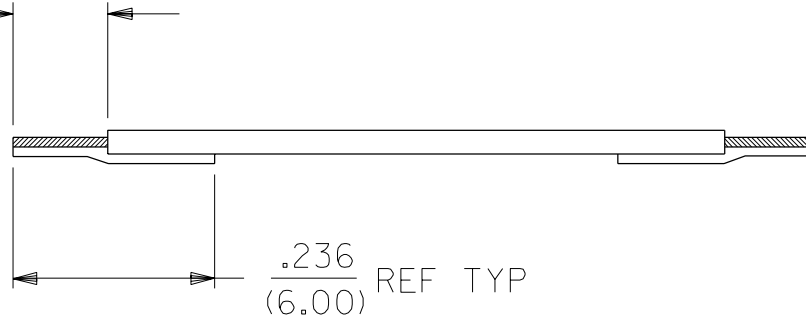


ITEM	DESCRIPTION	P/N	QTY	CKT. SIZE	TEMP. RATING
①	CABLE	21020-0548	5.984"	50	L

$\frac{.020 \pm .004}{(0.50 \pm 0.10)}$



$\frac{.157 \pm .039}{(4.00 \pm 1.00)}$  TYP



NOTE:

NO PRINTING TO BE ALLOWED ON CABLE

REF. PRODUCT SPEC. NO. SMPS-21020

DIMENSIONS SHOWN (METRIC) INCH

UNLESS OTHERWISE SPECIFIED TOLERANCES: ANGULAR ± 1/2°

	INCH	METRIC
3 PLACE	± .005	---
2 PLACE	± .01	± 0.13
1 PLACE	---	± 0.25

DRAFT WHERE APPLICABLE MUST REMAIN WITHIN DIMENSIONS

$\nabla = 0$

$\blacktriangledown = 0$

REVISE ONLY ON CAD SYSTEM

TITLE  
0.5 mm  $\varnothing$  FFC JUMPER  
STYLE TYPE "A"  
PDR UAU-000965-00-00



**MOLEX INCORPORATED**  
LISLE, ILL. 60532 U.S.A.

SHEET NO.  
1 OF 1

DATE  
02/07/10

PART NO.  
**21020-0548**

DRWG. NO.  
**21020-0548**

FILE NAME  
21020-0548  
S01

THIS DRAWING CONTAINS INFORMATION THAT IS PROPRIETARY TO MOLEX INC. AND SHOULD NOT BE USED WITHOUT WRITTEN PERMISSION.

DIV. AU  
SIZE A

A FINAL RELEASE  
ECN UAU2003-0001  
DEME0 02/07/10

LTR. REVISIONS LTR. REVISIONS

DRWG. BY DRD  
CHK'D. BY TGP  
APP'D. BY RLM  
SCALE -- : --