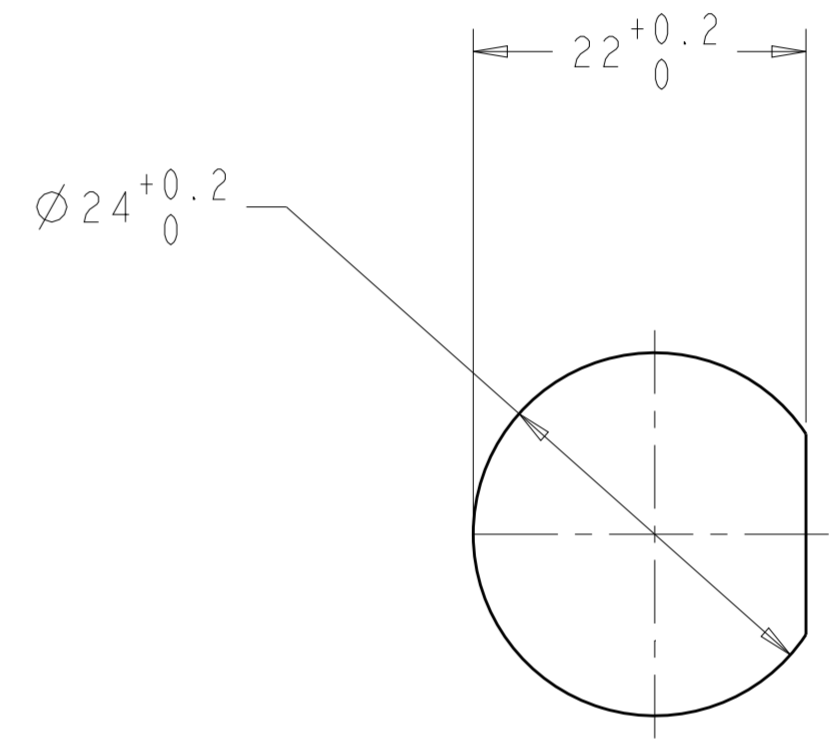
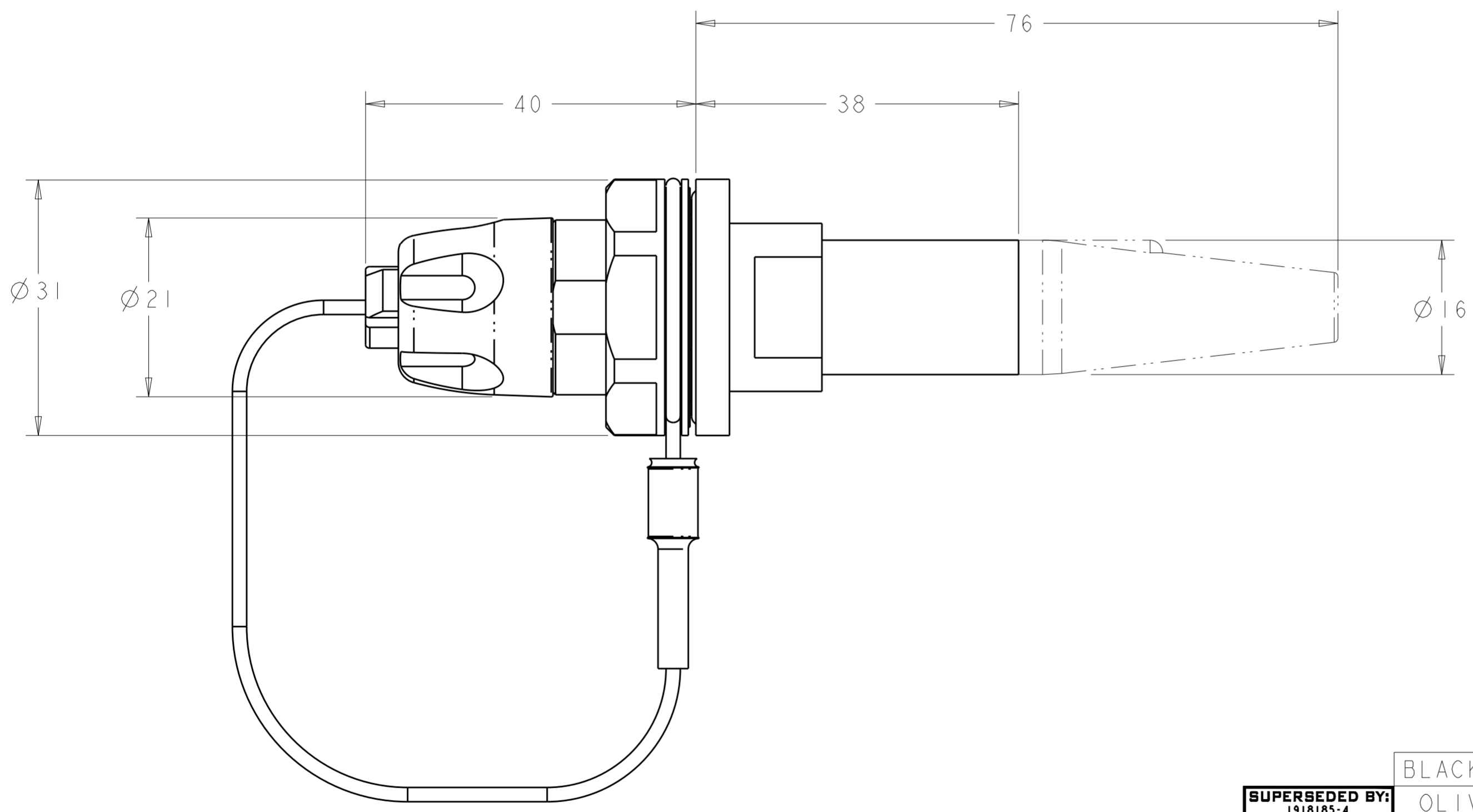


THIS DRAWING IS UNPUBLISHED. RELEASED FOR PUBLICATION 20
 © COPYRIGHT 20 BY - ALL RIGHTS RESERVED.

REVISIONS				
P	LTR	DESCRIPTION	DATE	APVD
B2		ECR-15-009282	30JUL2015	KG DW

- ASSEMBLY SHOWN FOR REFERENCE ONLY. SHIPPED LOOSE PIECE AS SHOWN ON PAGE 2.
- ALL ASSEMBLY DIMENSION ARE FOR REFERENCE ONLY.
- COMPLETE THE CONNECTOR ASSEMBLY BY ADDING EACH OF THE FOLLOWING PRO BEAM MINI KITS:
 - EXPANDED BEAM INSERT ASSEMBLY KIT
 - FERRULE KIT, ONE PER FIBER
 - CABLE ADAPTER KIT, SIZED TO THE CABLE JACKET DIAMETER.
- △ PANEL SHOULD BE BETWEEN 1mm AND 6mm THICKNESS.
- THIS PRODUCT HAS NOT COMPLETED VALIDATION TESTING.



△ RECOMMENDED PANEL CUT-OUT

SHOWN WITH CABLE ADAPTER KIT INSTALLED AS PHANTOM LINES FOR VISUAL AND DIMENSIONAL REFERENCE

SUPERSEDED BY:
1918185-4

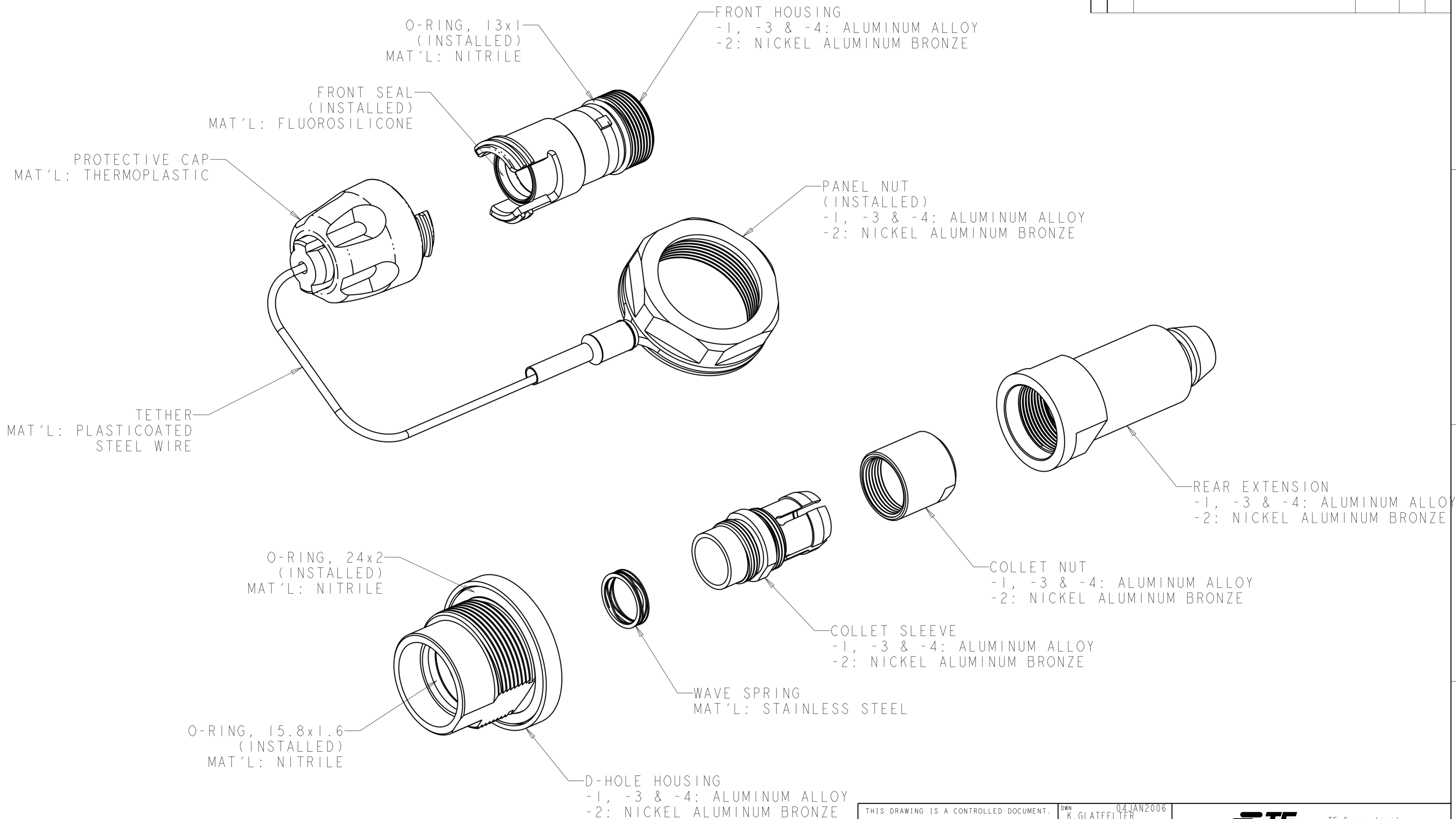
BLACK ZINC-NICKEL	ALUMINUM	1918185-4
OLIVE DRAB ZINC	ALUMINUM	1918185-3
NONE	NICKEL ALUMINUM BRONZE	1918185-2
HARD ANODIZE	ALUMINUM	1918185-1
HOUSING FINISH	HOUSING ALLOY	PART NUMBER

THIS DRAWING IS A CONTROLLED DOCUMENT.		DWN K. GLATFELTER 04 JAN 2006	STE TE Connectivity	
DIMENSIONS: mm		CHK D. WERTMAN 13 JAN 2006		
TOLERANCES UNLESS OTHERWISE SPECIFIED:		APVD D. WERTMAN 13 JAN 2006	NAME CONNECTOR SHELL KIT, SEALED D-HOLE BULKHEAD, PRO BEAM MINI	
0 PLC ±		PRODUCT SPEC	SIZE	
1 PLC ±		APPLICATION SPEC	CAGE CODE	
2 PLC ±		WEIGHT	DRAWING NO	
3 PLC ±		Customer Drawing	RESTRICTED TO	
4 PLC ±			A200779 C-1918185	
ANGLES ±			SCALE 2:1 SHEET 1 OF 2 REV B2	
FINISH				
SEE TABLE				

THIS DRAWING IS UNPUBLISHED. RELEASED FOR PUBLICATION 20
 © COPYRIGHT 20 BY - ALL RIGHTS RESERVED.

REVISIONS				
P	LTR	DESCRIPTION	DATE	APVD
-	-	SEE SHEET 1	-	-

I. SHIPPED LOOSE PIECE AS SHOWN.



THIS DRAWING IS A CONTROLLED DOCUMENT.		DWN K. GLATFELTER 04 JAN 2006	TE Connectivity															
DIMENSIONS: mm		CHK D. WERTMAN 13 JAN 2006																
TOLERANCES UNLESS OTHERWISE SPECIFIED:		APVD D. WERTMAN 13 JAN 2006	NAME CONNECTOR SHELL KIT, SEALED D-HOLE BULKHEAD, PRO BEAM MINI															
<table border="1"> <tr><td>0 PLC</td><td>±</td></tr> <tr><td>1 PLC</td><td>±</td></tr> <tr><td>2 PLC</td><td>±</td></tr> <tr><td>3 PLC</td><td>±</td></tr> <tr><td>4 PLC</td><td>±</td></tr> <tr><td>ANGLES</td><td>±</td></tr> <tr><td>FINISH</td><td>±</td></tr> </table>		0 PLC	±	1 PLC	±	2 PLC	±	3 PLC	±	4 PLC	±	ANGLES	±	FINISH	±	PRODUCT SPEC -	SIZE A2	CAGE CODE 00779
0 PLC	±																	
1 PLC	±																	
2 PLC	±																	
3 PLC	±																	
4 PLC	±																	
ANGLES	±																	
FINISH	±																	
MATERIAL - - SEE TABLE		APPLICATION SPEC -	DRAWING NO C-1918185	RESTRICTED TO -														
-		WEIGHT -	SCALE 1:1	SHEET 2 OF 2														
-		Customer Drawing	REV B2															