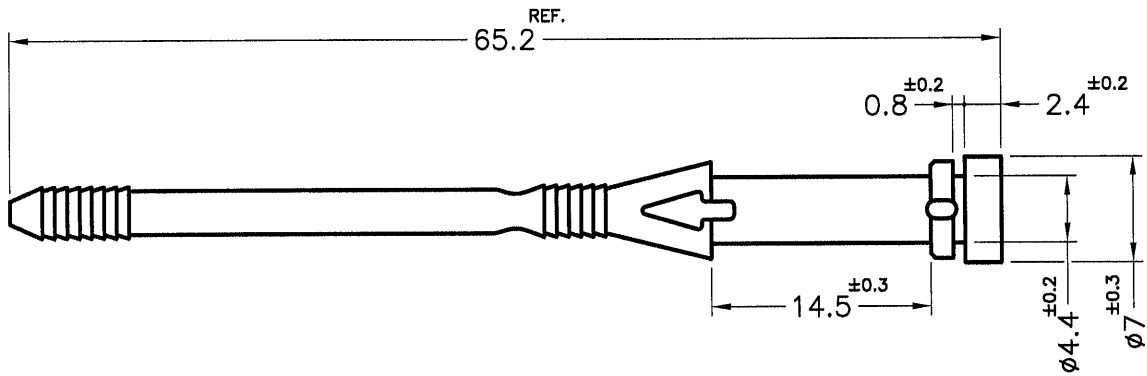

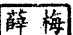



REVISIONS			
REV	DESCRIPTION	DATE	BY



MOUNTING HOLE $\phi 4.4$

NOTE:MADE OF EQUIVALENT MATERIAL.
使用同等材質

 康揚企業股份有限公司 KANG YANG HARDWARE ENTERPRISE CO., LTD. 康揚塑膠(東莞)有限公司 KANG YANG PLASTIC(DONG GUAN) CO.,LTD. 康哲電腦配件(吳江)有限公司 KANG CHE COMPUTER COMPONENTS(WUJIANG) CO.,LTD.	TITLE		FAN SNAP RIVET		SPEC. DWG.		
	MATERIAL		TPE		DATE		2004.11.01
	HARDNESS		45°±5°		DRAWN		S.J.C
	COLOR		BLACK		CHECK		
PART NUMBER		DRAWING NUMBER		UNLESS OTHERWISE SPECIFIED TOLERANCE		APPROVED	
BUB-65G		BUB-65		SEE ABOVE			
SIZE	SCALE	UNIT	REV				
A4	2:1	mm	A				