

42770-2 ✓ ACTIVE

FASTON | FASTON 250

TE Internal #: 42770-2

Quick Disconnects, Tab, 18 – 14 AWG Wire Size, .82 – 2.08 mm²

Wire Size, Mating Tab Width 6.35 mm [.25 in], Flag, Brass, Tin

Plating, FASTON 250

[View on TE.com >](#)



Terminals & Splices > Quick Disconnects



Quick Disconnect Terminal Type: **Tab**

Wire Size: **.82 – 2.08 mm²**

Mating Tab Width: **6.35 mm [.25 in]**

Mating Tab Thickness: **.81 mm [.032 in]**

Features

Product Type Features

Insertion Force	Normal
-----------------	--------

Configuration Features

Connection Capacity	Single
---------------------	--------

Compatible With Wire & Cable Type	Discrete Wire
-----------------------------------	---------------

Contact Features

Quick Disconnect Terminal Type	Tab
--------------------------------	-----

Mating Tab Width	6.35 mm [.25 in]
------------------	------------------

Mating Tab Thickness	.81 mm [.032 in]
----------------------	------------------

Terminal Orientation	Flag
----------------------	------

Contact Base Material	Brass
-----------------------	-------

Terminal Plating Material	Tin
---------------------------	-----

Crimp Type	F-Crimp
------------	---------

Barrel Type	Open
-------------	------

Termination Features



Product Terminates To	Wire & Cable
-----------------------	--------------

Mechanical Attachment

Wire Insulation Support	With
Mating Retention Type	Dimple

Dimensions

Terminal Material Thickness	.81 mm[.032 in]
Product Length	12.7 mm[.5 in]
Compatible Insulation Diameter Range	2.03 – 3.05 mm[.08 – .12 in]
Wire Size	.82 – 2.08 mm ²

Usage Conditions

Insulation Option	Uninsulated
Operating Temperature Range	-40 – 110 °C[-40 – 230 °F]

Industry Standards

Agency/Standard	CSA, UL
-----------------	---------

Packaging Features

Packaging Quantity	8000
Packaging Method	Strip/Reel

Product Compliance

[For compliance documentation, visit the product page on TE.com>](#)

EU RoHS Directive 2011/65/EU	Compliant
EU ELV Directive 2000/53/EC	Compliant
China RoHS 2 Directive MIIT Order No 32, 2016	No Restricted Materials Above Threshold
EU REACH Regulation (EC) No. 1907/2006	Current ECHA Candidate List: JUNE 2023 (235) Candidate List Declared Against: JAN 2023 (233) Does not contain REACH SVHC
Halogen Content	Low Halogen - Br, Cl, F, I < 900 ppm per homogenous material. Also BFR/CFR/PVC Free
Solder Process Capability	Not applicable for solder process capability

Product Compliance Disclaimer

This information is provided based on reasonable inquiry of our suppliers and represents our current actual knowledge based on the information they provided. This information is subject to change. The part numbers that TE has identified as EU RoHS compliant have a maximum concentration of 0.1% by weight in homogenous materials for lead, hexavalent chromium, mercury, PBB, PBDE, DBP, BBP, DEHP, DIBP, and 0.01% for cadmium, or qualify for an exemption to these limits as defined in the Annexes of Directive 2011/65/EU (RoHS2). Finished electrical and electronic equipment products will be CE marked as required by Directive 2011/65/EU. Components may not be CE marked. Additionally, the part numbers that TE has identified as EU ELV compliant have a maximum concentration of 0.1% by weight in homogenous materials for lead, hexavalent chromium, and mercury, and 0.01% for cadmium, or qualify for an exemption to these limits as defined in the Annexes of Directive 2000/53/EC (ELV). Regarding the REACH Regulation, the information TE provides on SVHC in articles for this part number is based on the latest European Chemicals Agency (ECHA) 'Guidance on requirements for substances in articles' posted at this URL: <https://echa.europa.eu/guidance-documents/guidance-on-reach>

Compatible Parts



TE Part # 60794-2
 FASTIN NECESSARY?? - separate
 GPL: 326



TE Part # 63165-2
 FASTON 110 AMPLIVAR TAB 23-19
 MAG TPBR



TE Part # 63919-1
 187 FASTON TAB 18-14 AWG TPBR



TE Part # 61367-3
 250 FASTON TAB 18-14 AWG TPBR



TE Part # 180353-2
 250 FASTON,TAB,12-10 AWG,TPBR



TE Part # 180353-1
 250 FASTON,TAB,12-10 AWG,BR



TE Part # 1855190-1
 HDM w/FA EMPO130F1800 LM & G



TE Part # 2-2150190-1
 OCEAN-2.0-APPLICATOR-E-130F1800



TE Part # 2-2150190-2
 OCEAN-2.0-APPLICATOR-E-130F1800



TE Part # 2150190-1
 OCEAN-2.0-APPLICATOR-E-130F1800



TE Part # 2150190-2
 OCEAN-2.0-APPLICATOR-E-130F1800



TE Part # 7-2150190-1
 OCEAN-2.0-APPLICATOR-E-130F1800



TE Part # 7-2150190-2
 OCEAN-2.0-APPLICATOR-E-130F1800



KIT
 REPRESENTATION ONLY
 TE Part # 7-2150190-7
 OCEAN_2.0_SPARE_PART_KIT-130F1800



TE Part # 672250-2
 STD EMPR13041800K

Also in the Series | FASTON 250



Compression Connectors(4)



Crimp Terminal Housings(142)



Insertion & Extraction Tools(6)



Magnet Wire Terminals(1)



PCB Terminals(135)



Quick Disconnects(445)



Splices(4)

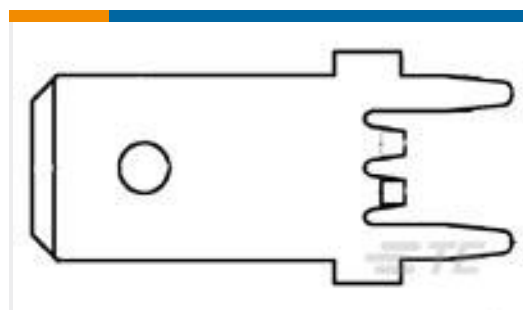
Customers Also Bought



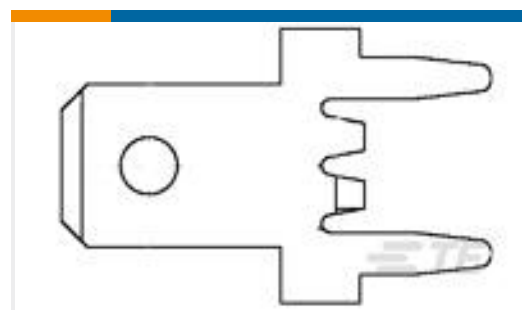
TE Part #926307-1
 6P UNIV.M-N-L.CAP



TE Part #66740-9
 TYPE XII FEMALE CONT (STRIP)



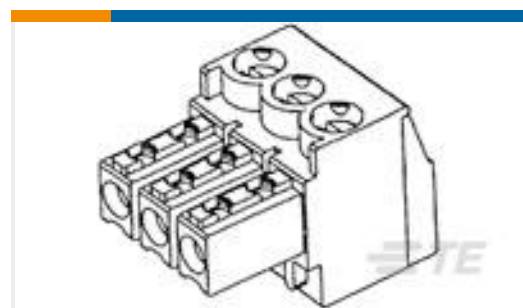
TE Part #1217169-1
 250 FASTON,PCB TAB,TCBR



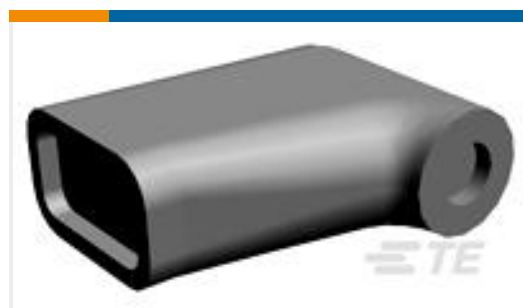
TE Part #1217124-1
 187 FASTON,PCB TAB,TNBR



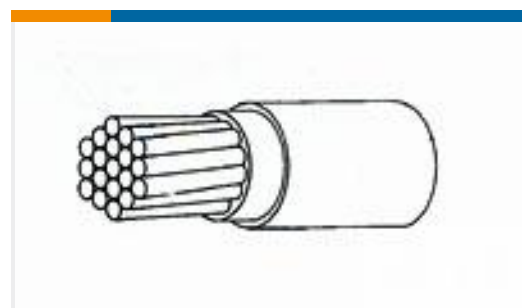
TE Part #42722-1
 RING TONGUE 12-10 AWG BR



TE Part #284506-8
 8 POS TERMI-BLOK PLUG STACK 3,



TE Part #170891-1
 250 FASTON HSG.,FLAG,REC.,
 NATRUAL



TE Part #218463-000
 22759/34-2-9



TE Part #710463-000
 55PC0211-6-9CS2502



Documents

Product Drawings

250 FASTON FLAG TAB 18-14 AWG TPBR

English

CAD Files

3D PDF

3D

Customer View Model

[ENG_CVM_CVM_42770-2_Z.2d_dxf.zip](#)

English

Customer View Model

[ENG_CVM_CVM_42770-2_Z.3d_igs.zip](#)

English

Customer View Model

[ENG_CVM_CVM_42770-2_Z.3d_stp.zip](#)

English

By downloading the CAD file I accept and agree to the [Terms and Conditions](#) of use.

Datasheets & Catalog Pages

FASTON Tabs

English

Product Specifications

Application Specification

English

Product Environmental Compliance

TE Material Declaration

English

Agency Approvals

CSA Certificate

English

CSA Certificate

English