

PART NO. AND WEEK/YEAR DATE CODE TO BE PRINTED OR LASERED ON THE SIDE OF COMPLETED CAGE ASSEMBLY APPROXIMATELY AS SHOWN

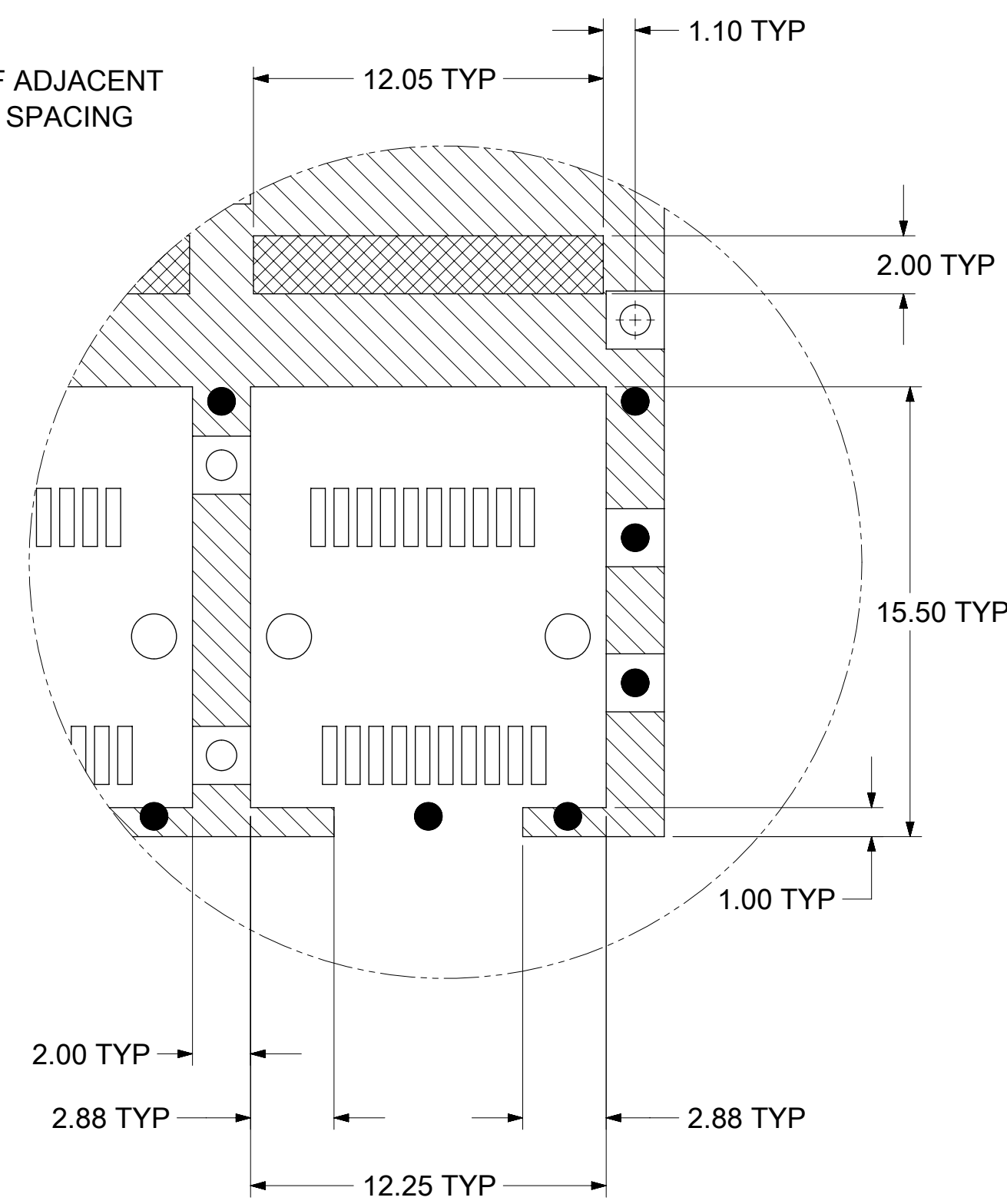
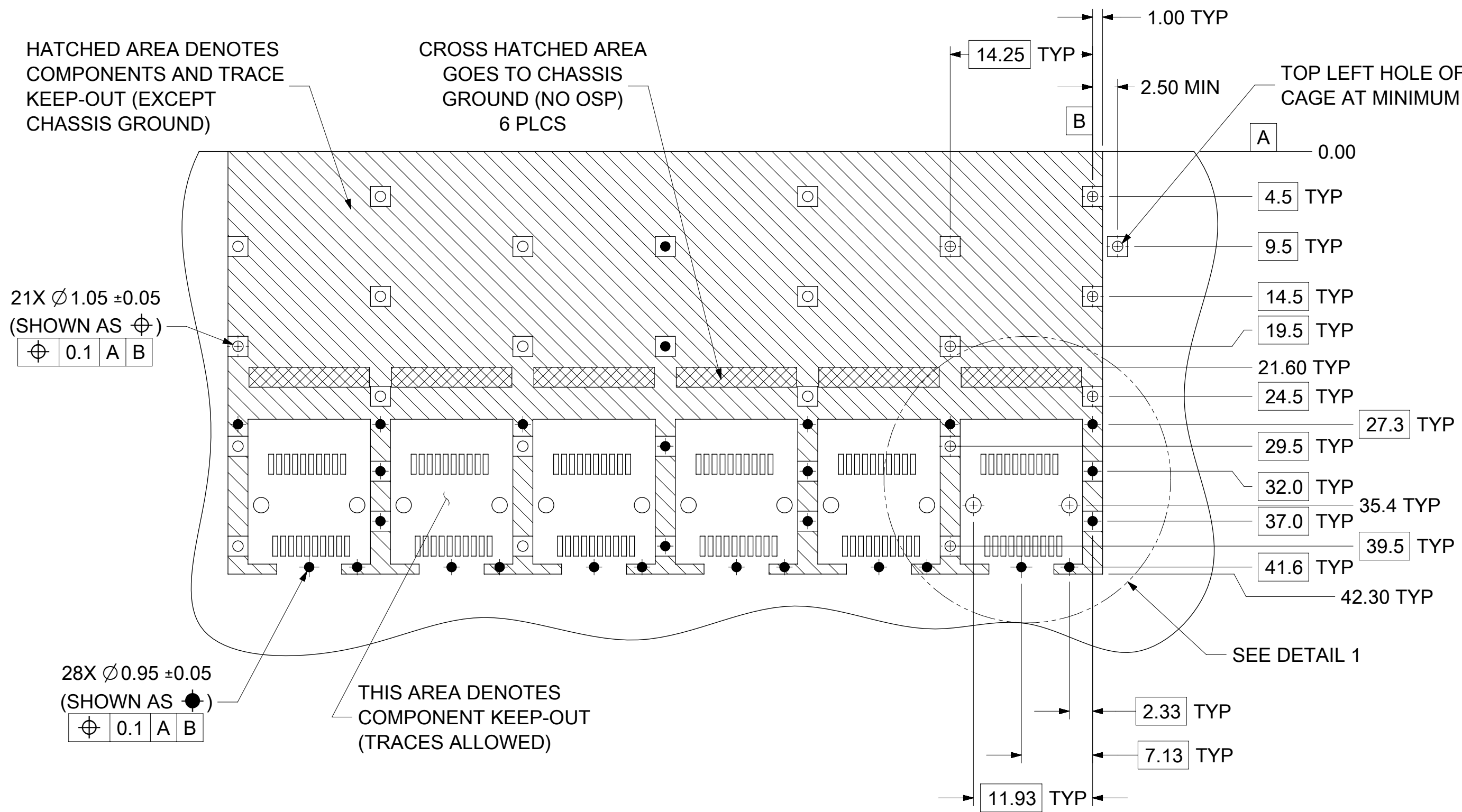
WEEK/YEAR DATE CODE TABLE	
WW	WEEK 01 THRU 52 OR 53 EXAMPLE: 01 = FIRST WEEK OF YEAR 52 = LAST WEEK OF YEAR
YY	22, 23, 24, ETC. EXAMPLE: YEAR 2022 = 22

- NOTES:**
- MATERIAL:**
 CAGE: 0.25mm THICK COPPER ALLOY, NICKEL PLATED.
 SPRING FINGERS: STAINLESS STEEL.
 UNDER BELLY GASKET: EMI GASKET, UL94-V0.
 COPPER FOIL: COPPER TAPE
 - PRESS FIT LEGS 3.05mm LONG:
 - PORTS ARE DESIGNED FOR SFP+ TRANSCEIVERS AND ARE COMPATIBLE WITH SFP TRANSCEIVERS. THE TOP SURFACE OF THE MODULE MUST BE FLAT (NO PRODUCT LABEL RECESS) AND THERMALLY CONDUCTIVE TO FUNCTION OPTIMALLY.
 - WELD SPOT MAY SHOW SLIGHT MATERIAL DISCOLORATION.
 - NO RoHS EXEMPTIONS.

FUNCTIONAL DIMENSION UNITS		SCALE		CURRENT REV DESC: SEE REVISION TABLE		molex	
mm		2:1					
GENERAL TOLERANCES (UNLESS SPECIFIED)		ANGULAR TOL ± 1.0°		EC NO: 707054		ZSFP+ 1X6 CAGE ASSY, COPPER FOIL ON TOP, PRESS FIT, WITH SUS EMI SPRING FINGERS	
4 PLACES ±				DRWN: PKH 2022/04/12		PRODUCT CUSTOMER DRAWING	
3 PLACES ±				CHK'D: TKUMARKC 2022/05/20		DOCUMENT NUMBER	
2 PLACES ± 0.15				APPR: SCHIEN 2022/05/23		1001158621	
1 PLACE ± 0.25				INITIAL REVISION:		DOC TYPE DOC PART REVISION	
0 PLACES ±				DRWN: PKH 2022/04/12		PSD ASY A	
DRAFT WHERE APPLICABLE MUST REMAIN WITHIN DIMENSIONS		THIRD ANGLE PROJECTION		DRAWING SERIES		MATERIAL NUMBER CUSTOMER SHEET NUMBER	
		C-SIZE		100115		1001158621 1 OF 5	

PCB LAYOUT FOR SINGLE SIDE MOUNT

HOST CONNECTOR DETAIL



DETAIL 1
SCALE 5:1

- NOTES:
- PADS AND VIAS CONNECT TO CHASSIS GROUND (RECOMMEND PADS TO BE 2.00mm SQUARE)
 - RECOMMENDED THRU HOLE PLATING INCLUDES HASL, OSP, OR IMMERSION (GOLD, SILVER, OR TIN).
 - CONNECTOR PAD LAYOUT PER SFP+ MSA WILL ACCOMMODATE MOLEX CONNECTOR SERIES 74441 OR EQUIVALENT.
 - HOLE PATTERN REPEATS FOR EACH PORT. SPACING BETWEEN PORTS IS 14.25mm.
 - MIN PCB THICKNESS FOR SINGLE SIDED USE: 1.57mm

FUNCTIONAL SYMBOLS		THIS DRAWING CONTAINS INFORMATION THAT IS PROPRIETARY TO MOLEX ELECTRONIC TECHNOLOGIES, LLC AND SHOULD NOT BE USED WITHOUT WRITTEN PERMISSION		CURRENT REV DESC: SEE REVISION TABLE	
$\frac{F}{A} = 0$	DIMENSION UNITS	SCALE			
$\frac{F}{C} = 0$	mm	2.5:1			
$\frac{F}{P} = 0$	GENERAL TOLERANCES (UNLESS SPECIFIED)				
	ANGULAR TOL $\pm 1.0^\circ$				
DIVISIONAL SYMBOLS		4 PLACES \pm		EC NO: 707054	
		3 PLACES \pm		DRWN: PKH 2022/04/12	
		2 PLACES ± 0.15		CHK'D: TKUMARKC 2022/05/20	
		1 PLACE ± 0.25		APPR: SCHIEN 2022/05/23	
		0 PLACES \pm		INITIAL REVISION:	
DRAFT WHERE APPLICABLE MUST REMAIN WITHIN DIMENSIONS		THIRD ANGLE PROJECTION	DRAWING	SERIES	MATERIAL NUMBER
			C-SIZE	100115	1001158621
				CUSTOMER	SHEET NUMBER
					2 OF 5

molex

ZSFP+ 1X6 CAGE ASSY, COPPER FOIL ON TOP, PRESS FIT, WITH SUS EMI SPRING FINGERS

PRODUCT CUSTOMER DRAWING

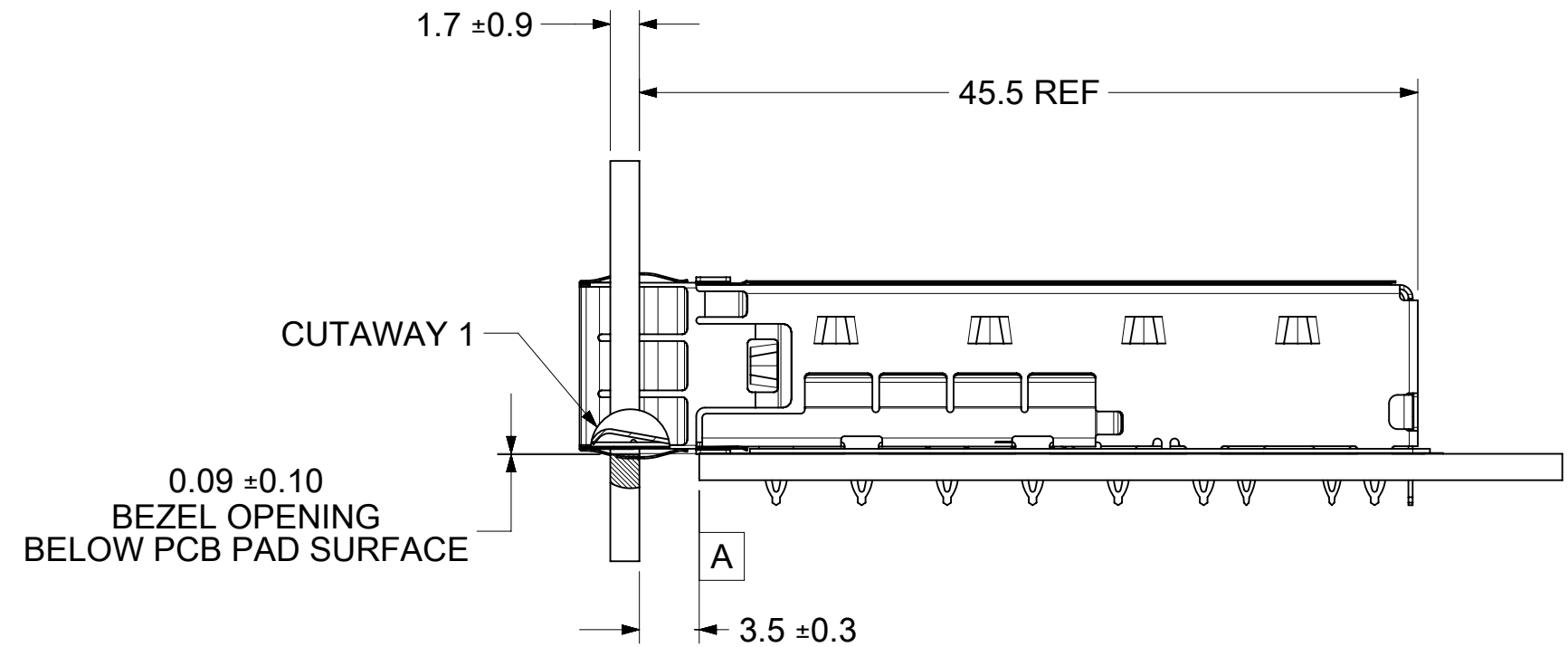
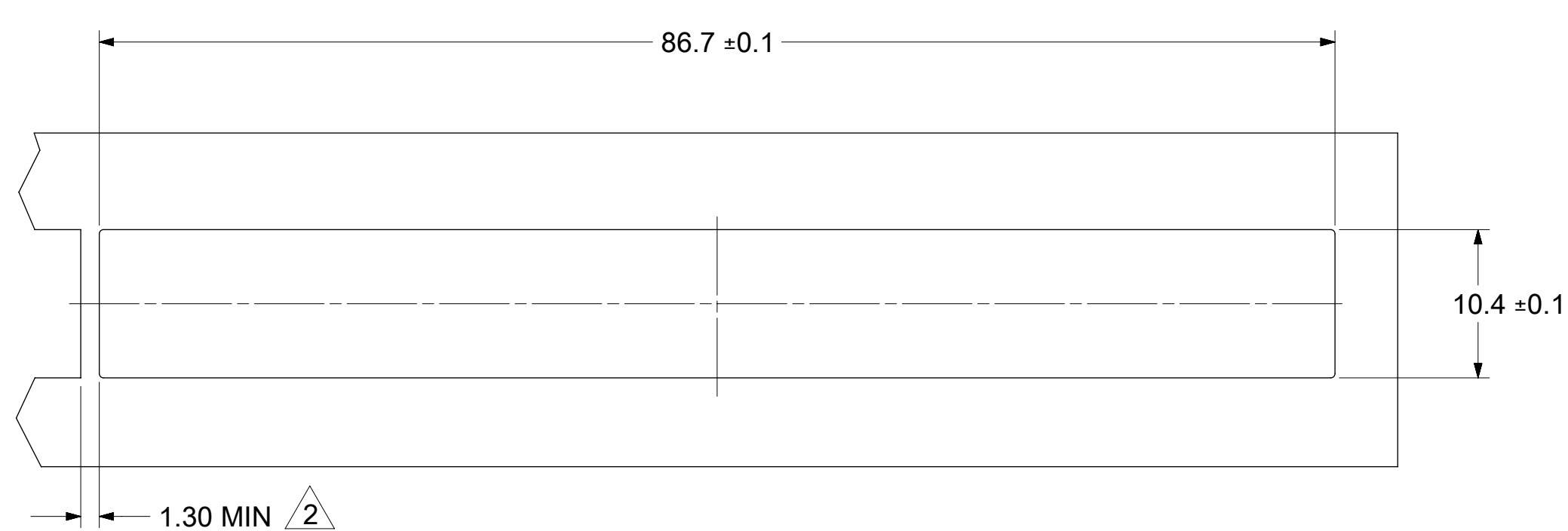
DOCUMENT NUMBER: 1001158621

DOC TYPE: PSD

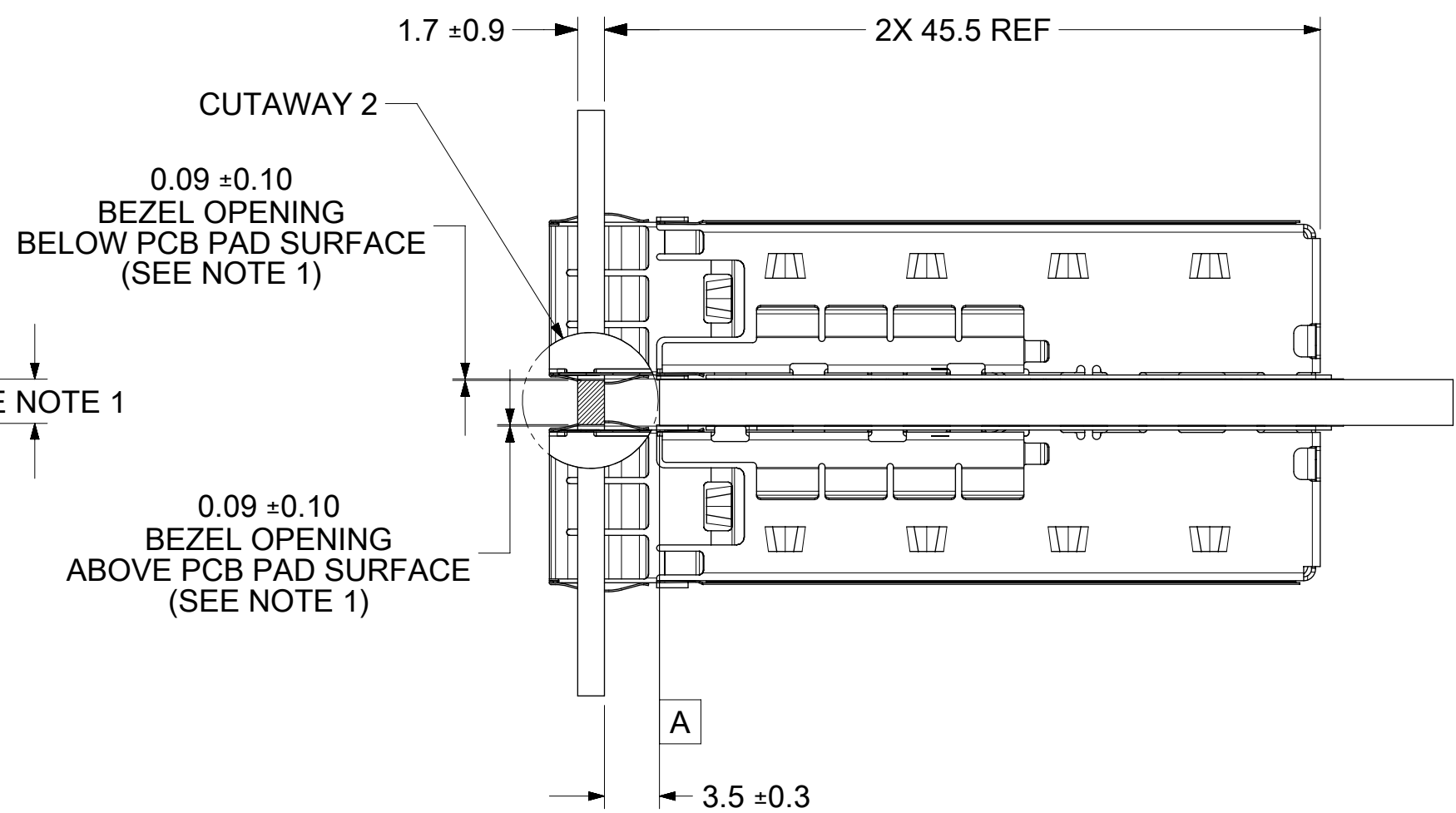
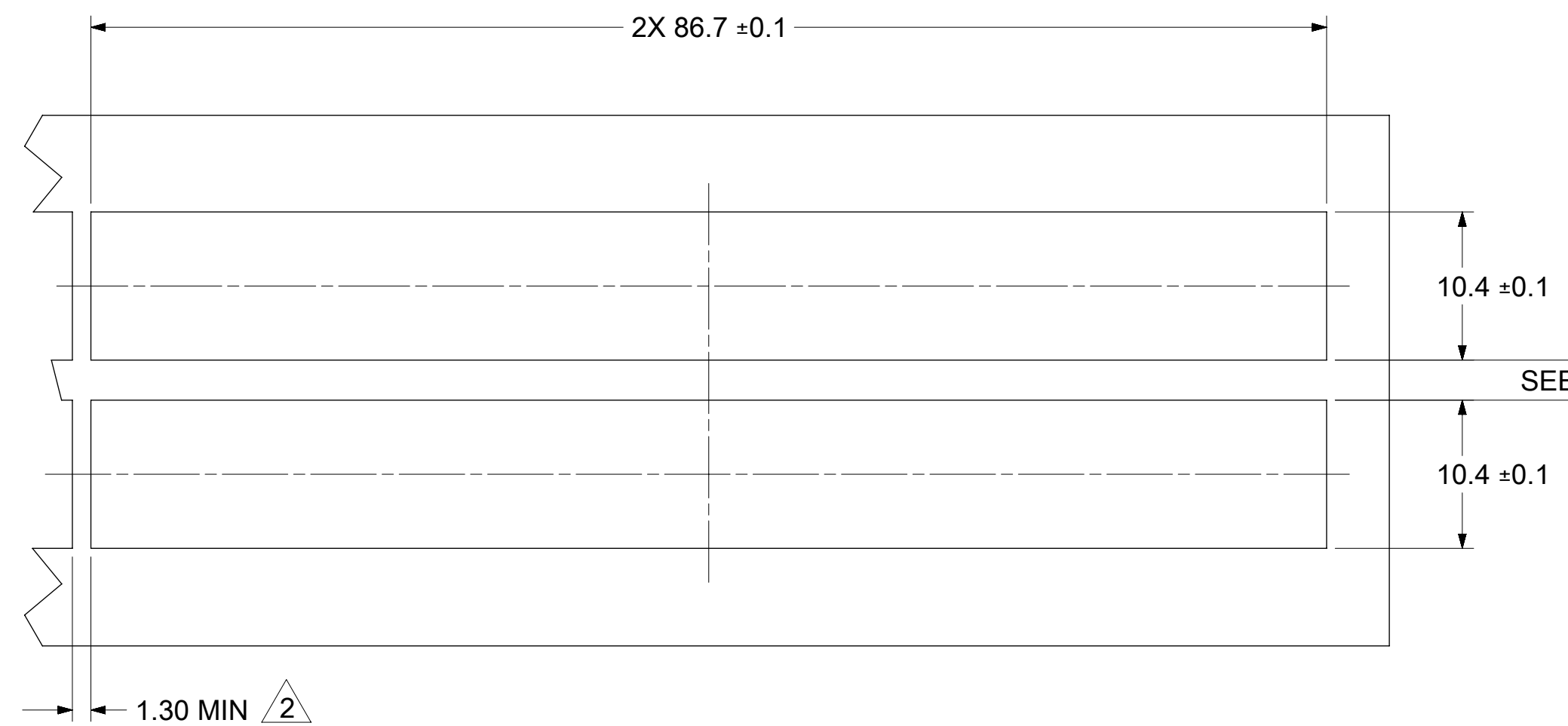
DOC PART: ASY

REVISION: A

BEZEL AND BOARD POSITION DIMENSIONS FOR SINGLE SIDE MOUNTING



BEZEL AND BOARD POSITION DIMENSIONS FOR BELLY TO BELLY MOUNTING



NOTE:
 1. PCB THICKNESS VARIATION MUST BE CONSIDERED WHEN DETERMINING BEZEL OPENING LOCATION.
 2. THIS DIMENSION IS FOR REFERENCE ONLY. USER CAN MODIFY IT DEPENDS ON APPLICATION.
 (THIS DIMENSION VARIES BASED ON DISTANCE OF "HOLE OF ADJACENT CAGE" ON PCB LAYOUT)

FUNCTIONAL SYMBOLS	THIS DRAWING CONTAINS INFORMATION THAT IS PROPRIETARY TO MOLEX ELECTRONIC TECHNOLOGIES, LLC AND SHOULD NOT BE USED WITHOUT WRITTEN PERMISSION		CURRENT REV DESC: SEE REVISION TABLE		molex
	DIMENSION UNITS	SCALE			
$\frac{F}{A} = 0$	mm	2.5:1			ZSFP+ 1X6 CAGE ASSY, COPPER FOIL ON TOP, PRESS FIT, WITH SUS EMI SPRING FINGERS
$\frac{F}{C} = 0$	GENERAL TOLERANCES (UNLESS SPECIFIED)				
$\frac{F}{P} = 0$	ANGULAR TOL ± 1.0°				PRODUCT CUSTOMER DRAWING
DIVISIONAL SYMBOLS	4 PLACES	±	EC NO: 707054	2022/04/12	
	3 PLACES	±	DRWN: PKH	2022/05/20	
	2 PLACES	± 0.15	CHK'D: TKUMARKC	2022/05/23	
	1 PLACE	± 0.25	APPR: SCHIEN		
	0 PLACES	±	INITIAL REVISION:		
	DRAFT WHERE APPLICABLE MUST REMAIN WITHIN DIMENSIONS		DRWN: PKH	2022/04/12	DOCUMENT NUMBER
	THIRD ANGLE PROJECTION		APPR: SCHIEN	2022/05/23	1001158621
	DRAWING		SERIES	MATERIAL NUMBER	CUSTOMER
	C-SIZE		100115	1001158621	
					DOC TYPE DOC PART REVISION
					PSD ASY A
					SHEET NUMBER
					4 OF 5

