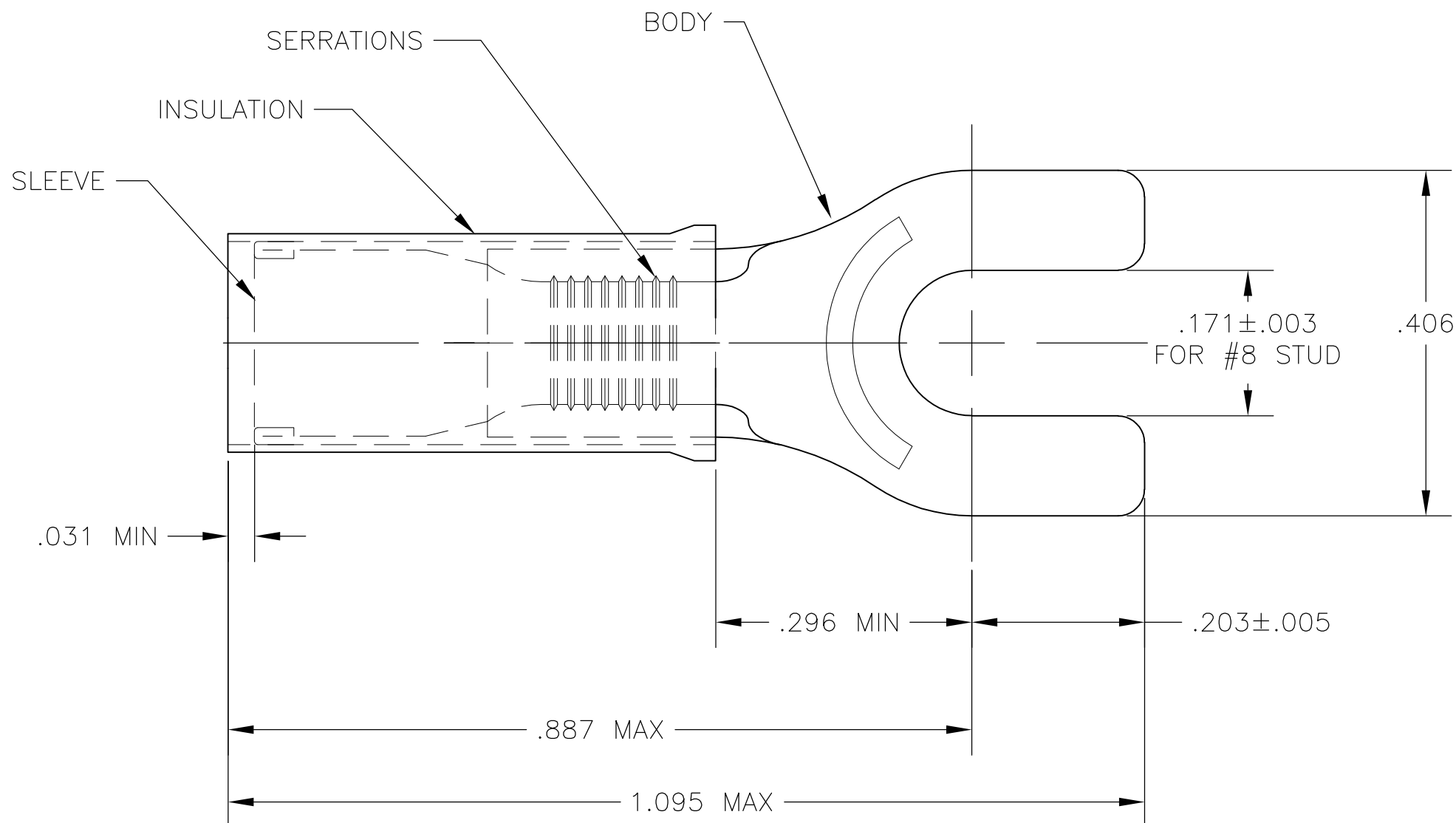


THIS DRAWING IS UNPUBLISHED. RELEASED FOR PUBLICATION  
© COPYRIGHT BY TYCO ELECTRONICS CORPORATION. ALL INTERNATIONAL RIGHTS RESERVED.

LOC	DIST	REVISIONS					
G	14	P	LTR	DESCRIPTION	DATE	DWN	APVD
			E1	REDRAWN PER ECR 09-006116	17MAR09	JR	TM



- FOR .150 TO .250 WIRE INSULATION DIA.
- MATERIAL TONGUE THK IS .040±.002

LOOSE PIECE, BOX	INSULATION: NYLON, COLOR YELLOW SLEEVE: COPPER PER ASTM B152 BODY: COPPER PER ASTM B152 TIN PLATE PER ASTM B545	8-35152-2
35152 ON TAPE		2-35152-1
WIRE TERMINAL		35152
DESCRIPTION	MATERIAL	PART NO

THIS DRAWING IS A CONTROLLED DOCUMENT.		DWN jr_ruth 17MAR09	Tyco Electronics Corporation Harrisburg, PA 17105-3608	
DIMENSIONS: INCHES		CHK TOM MICHIELUTTI 17MAR09	NAME TERMINAL, PIDG SPADE, WIRE SIZE 12-10 AWG	
TOLERANCES UNLESS OTHERWISE SPECIFIED:		APVD TOM MICHIELUTTI 17MAR09	PRODUCT SPEC -	
0 PLC ± -		APPLICATION SPEC -		
1 PLC ± -		SIZE A3		
2 PLC ± -		CAGE CODE 00779		
3 PLC ± .008		DRAWING NO G-35152		
4 PLC ± -		RESTRICTED TO -		
ANGLES ± 5°		SCALE 8:1		
MATERIAL SEE TABLE	FINISH SEE TABLE	WEIGHT -		SHEET 1 OF 1
CUSTOMER DRAWING		REV E1		