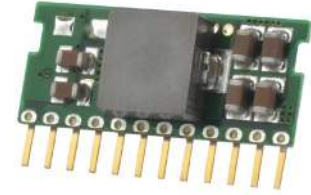


**SERIES:** P783F-S | **DESCRIPTION:** NON-ISOLATED SWITCHING REGULATOR

**FEATURES**

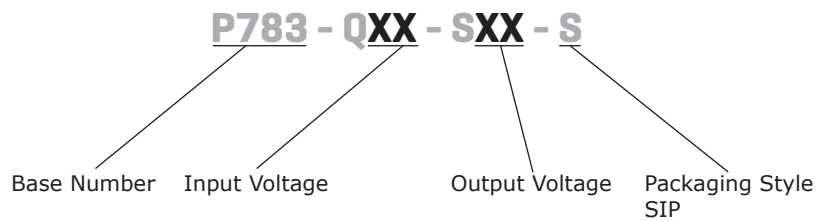
- 3A of output current
- open frame design
- high efficiency up to 97%
- no-load input current as low as 2mA
- output short circuit protection
- wide operating temp: -40°C to +85°C
- designed to meet 62368: EN/BS EN



MODEL	input voltage		output voltage (Vdc)	output current max (mA)	output power max (W)	ripple and noise <sup>1</sup> max (mVp-p)	efficiency typ (%)
	typ (Vdc)	range (Vdc)					
P783F-Q24-S3-S	24	8~36	3.3	3000	9.9	70	90
P783F-Q24-S5-S	24	8~36	5	3000	15	70	93
P783F-Q24-S6-S	24	10~36	6.5	3000	19.5	70	94
P783F-Q24-S9-S	24	13~36	9	3000	27	70	95
P783F-Q24-S12-S	24	16~36	12	3000	36	100	97
P783F-Q24-S15-S	24	19~36	15	3000	45	100	97

Notes: 1. ripple and noise are measured at 20 MHz BW

**PART NUMBER KEY**



## INPUT

parameter	conditions/description	min	typ	max	units
operating input voltage	3.3 V output	8	24	36	Vdc
	5 V output	8	24	36	Vdc
	6.5 V output	10	24	36	Vdc
	9 V output	13	24	36	Vdc
	12 V output	16	24	36	Vdc
	15 V output	19	24	36	Vdc
reverse polarity input	avoid / not protected				

## OUTPUT

parameter	conditions/description	min	typ	max	units
capacitive load	3.3 V output			1,000	μF
	5 V output			680	μF
	6.5 V output			330	μF
	9 V output			330	μF
	12 V output			330	μF
	15 V output			330	μF
line regulation	full load, input voltage range		±0.5	±1.0	%
load regulation	from 10% to 100% load		±0.5	±1.0	%
voltage accuracy	0~100% load, input voltage range		±2	±3	%
switching frequency	PWM mode	100	250	400	kHz
temperature coefficient	-40°C ~ 85°C			±0.03	%/°C
trimmability	see trim table				
CTRL	module on: CTRL open or high		4.5	14	Vdc
	module off: CTRL low to GND		0	0.8	Vdc

## PROTECTIONS

parameter	conditions/description	min	typ	max	units
short circuit protection	continuous, automatic recovery				

## SAFETY AND COMPLIANCE

parameter	conditions/description	min	typ	max	units
safety approvals	designed to meet 62368: EN/BS EN				
conducted emissions	CISPR32/EN55032 Class B				
ESD	IEC/EN 61000-4-2, contact ±6 kV, perf. criteria B				
radiated immunity	IEC/EN 61000-4-3, 10V/m, perf. criteria A				
EFT/burst	IEC/EN 61000-4-4, ±1 kV, perf. criteria B (see recommended circuit)				
surge	IEC/EN 61000-4-5, Class B, line to line ±1 kV, perf. criteria B				
EMI/EMC	IEC/EN 61000-4-6 Class A, 3 Vr.ms (see recommended circuit) perf. criteria A				
MTBF	as per MIL-HDBK-217F @ 25°C	2,000			K hours
RoHS	yes				

## ENVIRONMENTAL

parameter	conditions/description	min	typ	max	units
operating temperature	see derating curve	-40		85	°C
storage temperature		-55		125	°C
storage humidity	non-condensing	5		95	%

## SOLDERABILITY

parameter	conditions/description	min	typ	max	units
pin soldering	for 10 seconds			260	°C

## MECHANICAL

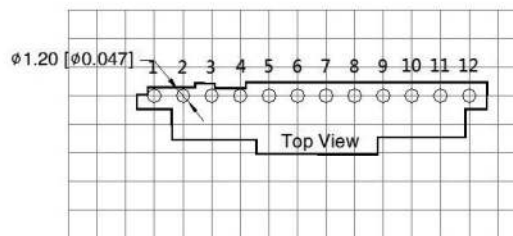
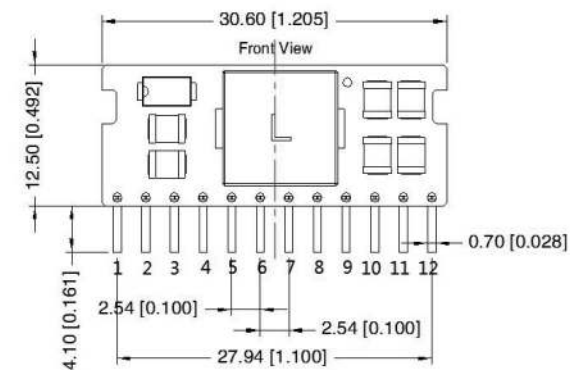
parameter	conditions/description	min	typ	max	units
dimensions	32.15 x 14.85 x 9.05				mm
case material	flame retardant and heat-resistant plastic (UL94 V-0)				
weight			4.0		g

## MECHANICAL DRAWING

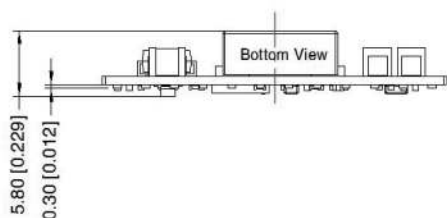
units: mm [inches]

tolerance: ±0.50 [±0.020]

pin section tolerance: ±0.10 mm [±0.004]



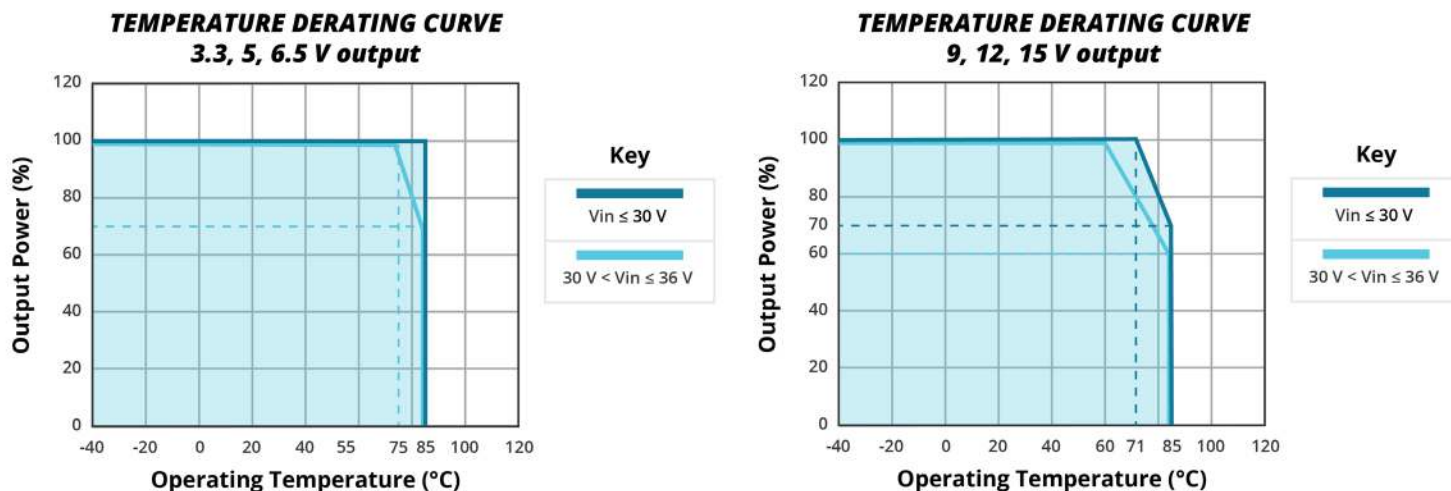
Note: Grid 2.54\*2.54mm



PIN CONNECTIONS	
Pin	Function
1	Ctrl
2, 3, 4	Vin
5, 6, 7, 8	GND
9, 10	+Vo
11	+Vo
12	Trim

## DERATING CURVES

Figure 1



## TYPICAL APPLICATION CIRCUIT

Figure 2

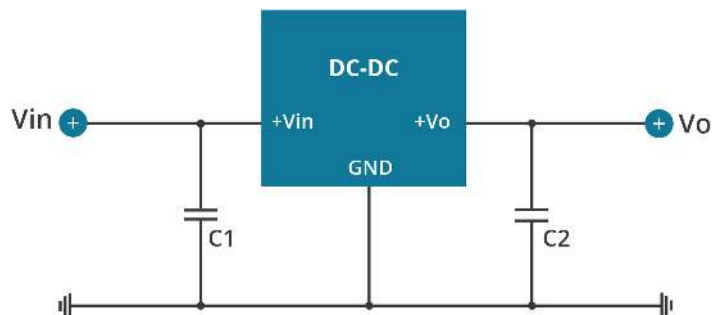


Table 1

Part No.	C1 (ceramic capacitor)	C2 (ceramic capacitor)
P783-Q24-S3-S	100 $\mu$ F/50V	22 $\mu$ F/10V
P783-Q24-S5-S		22 $\mu$ F/10V
P783-Q24-S6-S		22 $\mu$ F/10V
P783-Q24-S9-S		22 $\mu$ F/16V
P783-Q24-S12-S		22 $\mu$ F/25V
P783-Q24-S15-S		22 $\mu$ F/25V

- Note:
1. The required capacitors C1 and C2 must be connected as close as possible to the terminals of the module;
  2. Refer to Table 1 for C1 and C2 capacitor values. For certain applications, increased values and/or tantalum or low ESR electrolytic capacitors may also be used instead;
  3. Converter cannot be used for hot swap and with output in parallel.

## EMC RECOMMENDED CIRCUIT

Figure 3

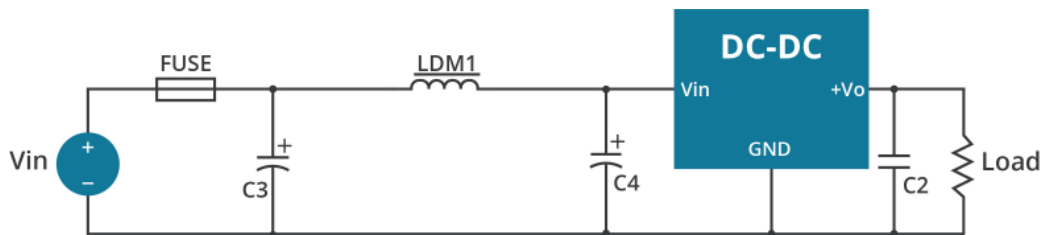
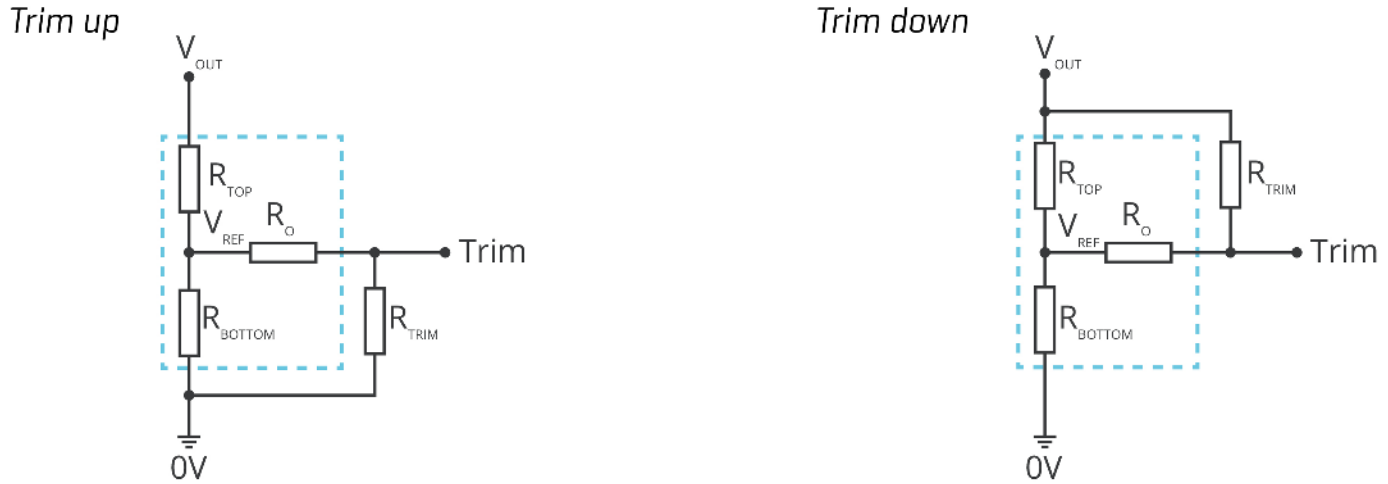


Table 2

	FUSE	C3	LDM1	C4	C2
Emissions	select fuse value according to actual input current	100 $\mu$ F/50V	22 $\mu$ H	100 $\mu$ F/50V	refer to the C2 in Figure X
Immunity				680 $\mu$ F/50V	

## TRIM FUNCTION FOR OUTPUT VOLTAGE ADJUSTMENT

Figure 4



$$R_{TRIM} = \frac{a \cdot R_{BOTTOM}}{R_{BOTTOM} - a} - R_O \quad a = \frac{V_{REF}}{V_{OUT} - V_{REF}} \cdot R_{TOP}$$

Formula for Trim up

$$R_{TRIM} = \frac{a \cdot R_{TOP}}{R_{TOP} - a} - R_O \quad a = \frac{V_{OUT} - V_{REF}}{V_{REF}} \cdot R_{BOTTOM}$$

Formula for Trim down

Table 3

$V_{OUT}$	$R_{TOP}$	$R_{BOTTOM}$	$R_O$	$V_{REF}$
(Vdc)	(kΩ)	(kΩ)	(kΩ)	(V)
3.3	75	32.68	10	1
5	68	17.01	10	1
6.5	75	13.64	10	1
9	75	9.38	10	1
12	120	10.91	10	1
15	100	7.14	10	1

Note: Value for  $R_{TOP}$ ,  $R_{BOTTOM}$ ,  $R_O$ , and  $V_{REF}$  refer to Table 3 (fixed internal values).  
 $R_{TRIM}$ : Trim resistance  
 a: User-defined parameter, no actual meanings  
 $V_{OUT}$ : Nominal output voltage

## TRIM FUNCTION FOR OUTPUT VOLTAGE ADJUSTMENT (CONTINUED)

Figure 5

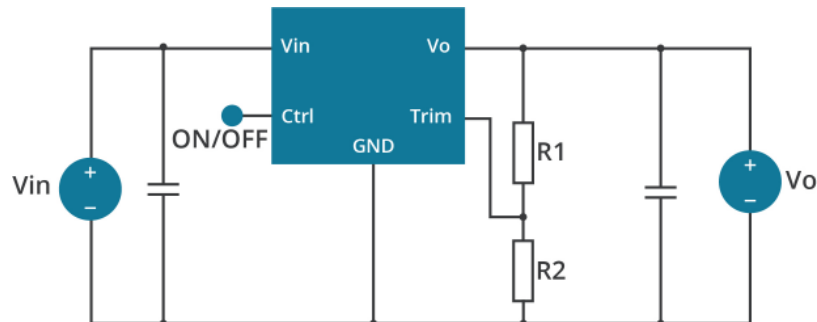


Table 4

Vout nom.	3.3 Vdc		5.0 Vdc		6.5 Vdc		9.0 Vdc		12 Vdc		15 Vdc	
Vout adj.	R1	R2	R1	R2	R1	R2	R1	R2	R1	R2	R1	R2
3	500K											
3.3												
4		95K	195K									
4.5		52K	470K									
5												
5.5				125K	330K							
6				58K	750K							
6.5												
7						140K	220K					
8						40K	520K					
9												
10								65K	530K			
11								28K	1180K			
12												
13										110K	590K	
14										50K	1290K	
15												
16												90K
17												40K

## REVISION HISTORY

---

rev.	description	date
1.0	initial release	06/29/2020
1.01	weight updated in the mechanical section	04/07/2021
1.02	derating curves and circuit figures updated	09/23/2021
1.03	trim resistor equations added	05/19/2022
1.04	trim resistor equations and figures updated	10/14/2022
1.05	CE removed	03/17/2023

The revision history provided is for informational purposes only and is believed to be accurate.



**Headquarters**  
20050 SW 112th Ave.  
Tualatin, OR 97062  
**800.275.4899**

Fax 503.612.2383  
**cui.com**  
techsupport@cui.com

CUI offers a two (2) year limited warranty. Complete warranty information is listed on our website.

CUI reserves the right to make changes to the product at any time without notice. Information provided by CUI is believed to be accurate and reliable. However, no responsibility is assumed by CUI for its use, nor for any infringements of patents or other rights of third parties which may result from its use.

CUI products are not authorized or warranted for use as critical components in equipment that requires an extremely high level of reliability. A critical component is any component of a life support device or system whose failure to perform can be reasonably expected to cause the failure of the life support device or system, or to affect its safety or effectiveness.