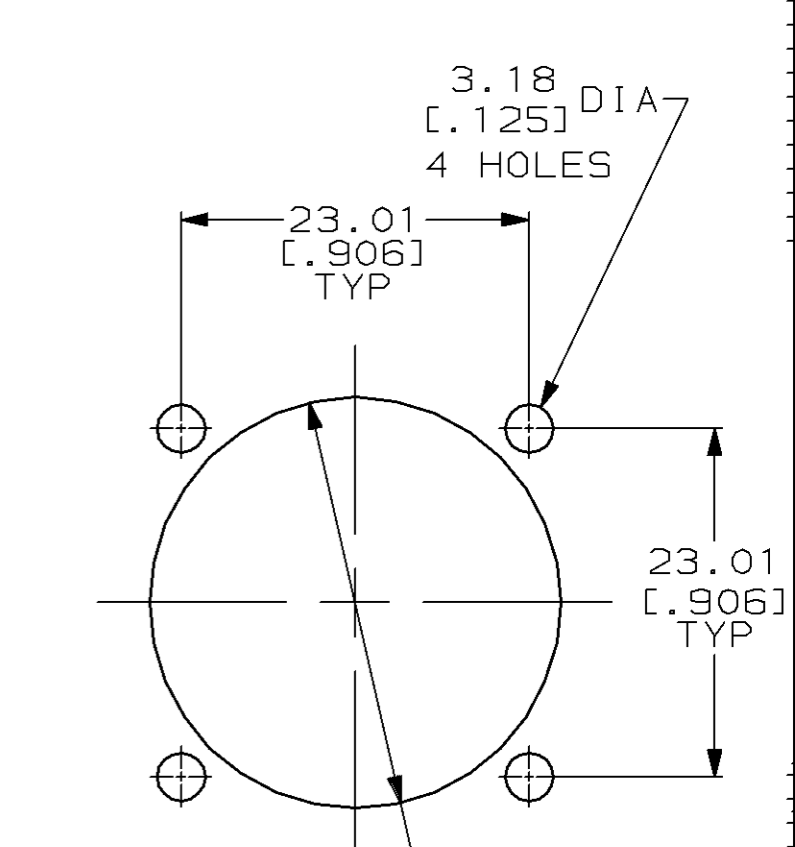
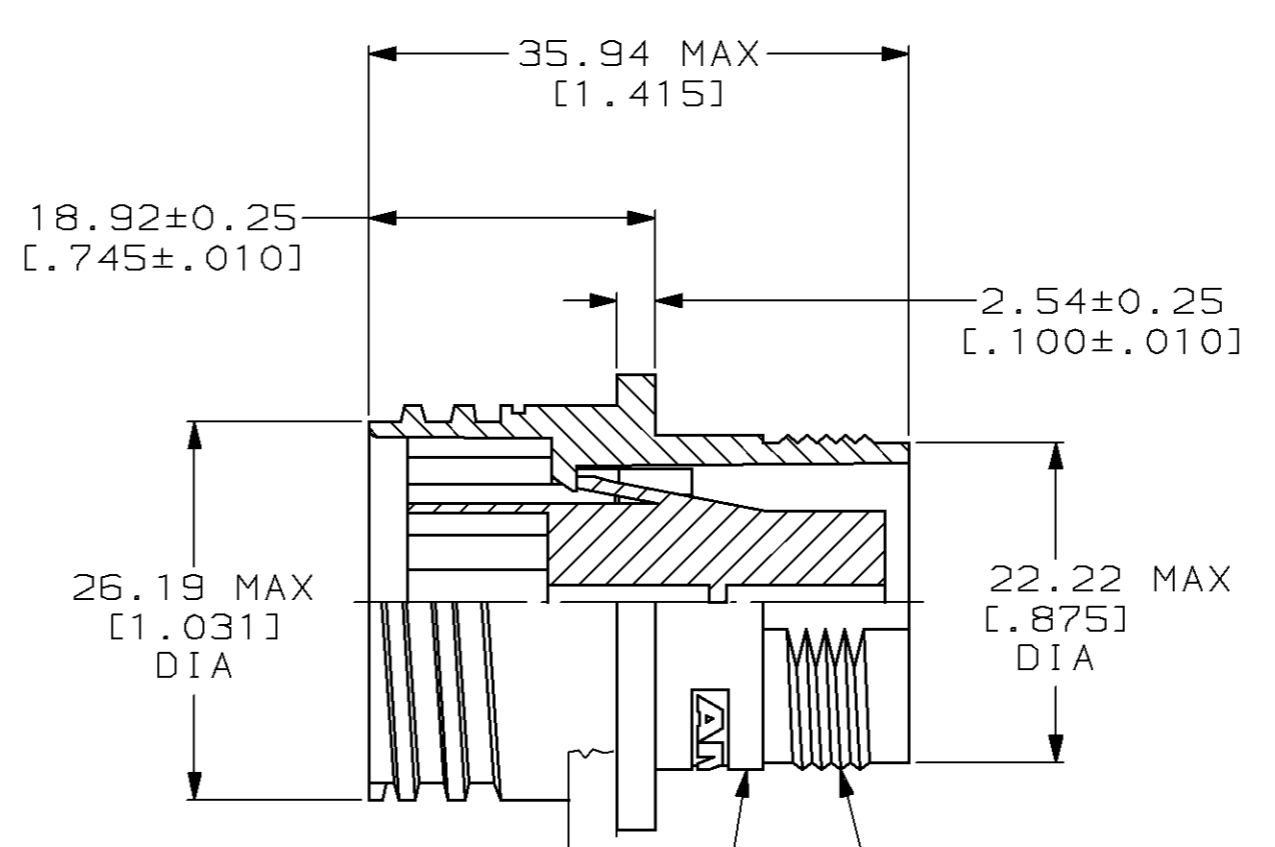
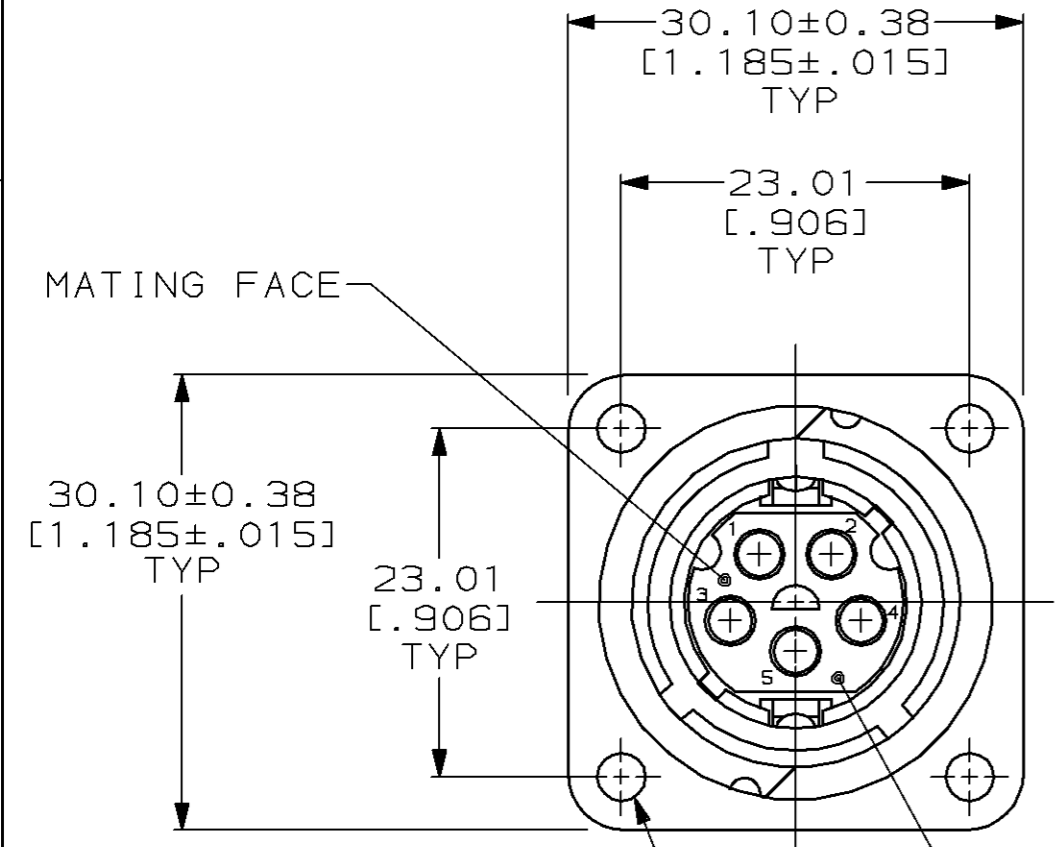


THIS DRAWING IS UNPUBLISHED. RELEASED FOR PUBLICATION, 19  
 © COPYRIGHT 19 BY AMP INCORPORATED. ALL INTERNATIONAL RIGHTS RESERVED.

MOD	LOC	DIST	P	F	REVISIONS				
ZONE	LTR	DESCRIPTION	DATE	APPD					
4	BD	35					REDRAWN W/O CHANGE PER EC 0020-774-94	09/07/94	AF



SOCKET HOUSING MATERIAL: THERMOPLASTIC COLOR: BLACK

RECEPTACLE SHELL MATERIAL: ZINC PER QQ-Z-363 FINISH: NICKEL PER QQ-N-290 OVER COPPER PER MIL-C-14550

SUGGESTED PANEL CUTOUT

- THIS CONNECTOR ACCEPTS FIVE (5) SIZE 16 MULTIMATE PIN CONTACTS. MAXIMUM WIRE INSULATION DIA = 3.43 [.135].
- RECEPTACLE MATES WITH AMP PART NUMBER 208718-1.
- AMP PART NUMBER & DATE CODE TO BE LOCATED ON EDGE OF FLANGE.

THIS DRAWING IS A CONTROLLED DOCUMENT FOR AMP INCORPORATED. IT IS SUBJECT TO CHANGE AND THE CONTROLLING ENGINEERING ORGANIZATION SHOULD BE CONTACTED FOR THE LATEST REVISION.

DO NOT SCALE PRINT. UNLESS SPECIFIED DIMENSIONS IN mm [INCHES] TOLERANCES ON: 2 PLC DEC ± 0.13 [.005] 3 PLC DEC ± - ANGLES ± -		DR 09-07-94 D.HARDY	AMP Incorporated Harrisburg, PA 17105-3608
MATERIAL SEE CALLOUTS	CHK 09-09-94 R.STONE	NAME RECEPTACLE ASSEMBLY, 14-5, STANDARD SEX, CMC	
FINISH SEE CALLOUTS	APPD 09-30-94 A.FRANTUM	SIZE B	CAGE CODE 00779
	APPD 09-30-94 A.FRANTUM	DRAWING NO C-208719	
	PRODUCT SPEC -	SCALE 2:1	SHEET 1 OF 1
	APPLICATION SPEC -		
	WEIGHT -		

208719-1  
PART NO