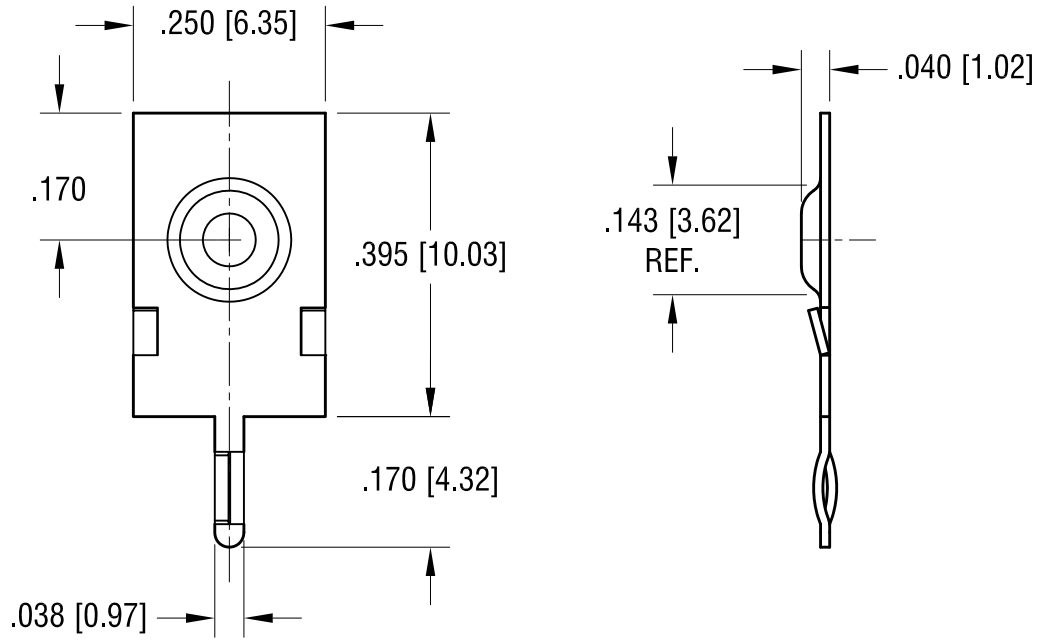


THIS DOCUMENT IS THE PROPERTY OF  
KEYSTONE ELECTRONICS CORP. AND  
SHALL NOT BE REPRODUCED, DISTRIBUTED  
OR USED AS A BASIS FOR MANUFACTURE  
WITHOUT PRIOR WRITTEN PERMISSION  
FROM KEYSTONE ELECTRONICS CORP.

ACTUAL SIZE



**NOTE:**

1. MOUNTING HOLE .047 [1.19] DIA.

|  |                 |                                  |         |
|--|-----------------|----------------------------------|---------|
| <b>KEYSTONE ELECTRONICS CORP.</b>                              |                 |                                  |         |
| www.keyelco.com • NEW HYDE PARK, NY 11040 • Tel (516) 328-7500 |                 |                                  |         |
| PART NAME  |                 | THM BATTERY CONTACT              |         |
| MATERIAL   |                 | .012 [0.30] TH'K STAINLESS STEEL |         |
| FINISH   |                 | DRN BY                           | DATE    |
| NICKEL PLATE   |                 | NT                               | 1.26.16 |
|  |                 | APP'D                            | SCALE   |
|  |                 | RH                               | 4X      |
| TOLERANCES   | INCH [MM]       | CODE                             | DWG NO. |
| DECIMAL  | ± .005 [± 0.13] | C                                | 1075-1  |
| ANGULAR  | ± 1°            |                                  |         |
| UNLESS OTHERWISE SPECIFIED                                     |                 |                                  |         |

|      |             |      |
|------|-------------|------|
| DATE | DESCRIPTION | REV. |
|      |             |      |